

\$2.00

# *ham radio*

*magazine*

*hr*

## DECEMBER 1978

- high-frequency transverter 12
- lightning protection 18
- solar-powered repeater 28
- top-loaded delta loop 57
- 1296-MHz stub tuner 72
- 1.5-GHz prescaler 84
- cumulative index 130





**ICOM & HENRY RADIO**  
 ...two leaders in Amateur Radio  
 present the

# IC-701

ICOM's superior LSI technology takes the lead in Amateur HF. The extremely compact **IC-701** delivers 100 watts output from a completely solid state, no tune (broad band design) final, on all modes and all bands, from 160-10 M. With single knob frequency selection and built-in dual VFO's, the LSI controlled **IC-701** is the choice in computer compatible, multi-mode Amateur HF transceivers.

The **IC-701's** single frequency control knob puts fully synthesized instant turning at a single finger tip. **Wide** bandspread, with 100 Hz per division and 5 KHz per turn, is instantly co-ordinated between the smooth turning knob and the synthesizer's digital read-out with positively no time lag or backlash (no waiting for counter to update: less operator fatigue). And at the push of the electronic high speed tuning button, the synthesizer flies through megacycles at 10 KHz per step (500 KHz per turn).

The computer compatible **IC-701** LSI chip provides input of incremental step or digit-by digit programming data

from an external source, such as the microprocessor controlled accessory which will also provide remote band selection and other functions.

Full band coverage of all six HF bands, and continuously variable bandwidth on filter widths for SSB, RTTY, and even SSTV, help to make the **IC-701** the very best HF transceiver ever made. **IC-701** includes two CW widths, all of this standard at no extra cost.

Sold complete with the high quality electret condenser base mic (SM-2) and AC power supply/speaker as shown, the **IC-701** is loaded with many ICOM quality standard features. Standard in every **IC-701** are two independently selectable, digitally synthesized VFO's at no extra cost. Also standard are a double-balanced schottky diode 1st mixer for excellent receiver IMD, and RF speech processor, separate drop times for voice and CW VOX, optionally continuous RIT, fast/slow AGC, efficient IF noise blanker, fast break-in CW, and full metering capability.

## THE BEST PLACE TO BUY THE BEST EQUIPMENT...HENRY RADIO

And if you can't come into one of Henry Radio's stores, please call or write. Let us answer your questions and then ship on of these exciting new rigs to you. Henry Radio offers the most complete selection of famous name amateur radio equipment plus easy financing. 10% down or trade-in down, no finance charge if paid in 90 days. Good reconditioned equipment, nearly all makes & models. Our reconditioned equipment carries a 15 day trial, 90 day warranty and may be traded back within 9 days for full credit toward the purchase of NEW equipment. Write for bulletin. Export inquiries invited.

11240 W. Olympic Blvd., Los Angeles, Calif. 90064 213/477-6701  
 931 N. Euclid, Anaheim, Calif. 92801 714/772-9200  
 Butler, Missouri 64730 816/679-3127

**Henry Radio**

Prices subject to change without notice

# New HF 1030 VLF-HF Communication Receiver

- Higher Dynamic Range IP (3)  $\geq +20\text{dBm}$
- 40.455 MHz 8 pole VHF Cross Mod. Filter
- New Synthesizer Technique 120 dB/Hz noise close to carrier
- CMOS Reliability/Low Power Consumption
- 10 kHz to 30 MHz in 10 Hz steps
- Improved selectivity thru Electronic Band Pass Tuning
- Built-in Remote Control and Programming Capabilities
- Internal spurious  $< 0.5\mu\text{V}$
- On GSA Schedule

# YOU GET MORE... BUT YOU PAY LESS!



# \$4500

**ROHDE & SCHWARZ SALES CO., (U.S.A.) INC.**

14 Gloria Lane, Fairfield, N.J. 07006 ■ (201) 575-0750 ■ Telex 133310

# NEW! MFJ INTRODUCES THE GRANDMASTER MEMORY KEYERS

At \$139.95 this MFJ-484 GRANDMASTER memory keyer gives you more features per dollar than any other memory keyer available — and Here's Why . . .

**WEIGHT CONTROL** TO PENETRATE ORM. **PULL** TO COMBINE MEMORIES A AND B FOR 1, 2, OR 3 FIFTY CHARACTER MESSAGES.

**MESSAGE BUTTONS** SELECT DESIRED 25 CHARACTER MESSAGES.

**RESETS MEMORY** IN USE TO BEGINNING.

**SPEED CONTROL**, 8 TO 50 WPM. **PULL** TO RECORD.



**MEMORY SELECT:** POSITIONS 1, 2, 3 ARE EACH SPLIT INTO MEMORY SECTIONS A, B, C, D (UP TO TWELVE 25 CHARACTER MESSAGES). SWITCH COMBINES A AND B. **POSITION K** GIVES YOU 100, 75, 50, OR 25 CHARACTERS BY PRESSING BUTTONS A, B, C, OR D.

**LEDs (4)** SHOW WHICH MEMORY IS IN USE AND WHEN IT ENDS.

**TONE CONTROL.** **PULL** TO TUNE.

**VOLUME CONTROL.** POWER ON-OFF.

**DELAY REPEAT CONTROL** (0 TO 2 MINUTES). **PULL** FOR AUTO REPEAT.

**LED INDICATES** DELAY REPEAT MODE.

**NOW YOU CAN CALL CQ, SEND YOUR QTH, NAME, ETC., ALL AUTOMATICALLY.**

And only MFJ offers you the MFJ-484 Grandmaster memory keyer with this much flexibility at this price.

Up to twelve 25 character messages plus a 100, 75, 50, or 25 character message (4096 bits total).

A switch combines 25 character messages for up to three 50 character messages.

To record, pull out the speed control, touch a message button and send. To playback, push in the speed control, select your message and touch the button. That's all there is to it!

You can repeat any message continuously and even leave a pause between repeats (up to 2 minutes). Example: Call CQ. Pause. Listen. If no answer, it repeats CQ again. To answer simply start sending. LED indicates Delay Repeat Mode.

Instantly insert or make changes in any playing message by simply sending. Continue by touching another button.

Memory resets to beginning with button, or by tapping paddle when playing. Touching message button restarts message.

LEDs show which 25 character memory is in use and when it ends.

Built-in memory saver. Uses 9 volt battery, no drain when power is on. Saves messages in memory when power loss occurs or when transporting keyer. Ultra compact, 8x2x6 inches.

PLUS A MFJ DELUXE FULL FEATURE KEYER. Iambic operation with squeeze key. Dot-dash insertion.

Dot-dash memories, self-completing dots and dashes, jamproof spacing, instant start (except when recording).

All controls are on front panel: speed, weight, tone, volume. Smooth linear speed

control. 8 to 50 WPM.

Weight control lets you adjust dot-dash-space ratio; makes your signal distinctive to penetrate ORM.

Tone control. Room filling volume. Built-in speaker.

Tune function keys transmitter for tuning. Ultra reliable solid state keying: grid block, cathode, solid state transmitters (-300 V, 10 ma. max., +300 V, 100 ma. max.). CMOS ICs, MOS memories. Use 110 VAC or 12 to 15 VDC. Automatically switches to external batteries when AC power is lost.

OPTIONAL SQUEEZE KEY for all memory keyers. Dot and dash paddles have fully adjustable tension and spacing for the exact "feel" you like. Heavy base with non-slip rubber feet eliminates "walking". \$29.95 plus \$2.00 for shipping and handling.



**THIS MFJ-482 FEATURES FOUR 25 OR A 50 AND TWO 25 CHARACTER MESSAGES.**

- Speed, volume, weight, tone controls
- Combine memory switch
- Repeat, tune functions
- Built-in memory saver

**\$99<sup>95</sup>**



Similar to MFJ-484 but with 1024 bits of memory, less delay repeat, single memory operating LED. Weight and tone controls adjustable from rear panel. 6x2x6 inches. 110 VAC or 12 to 15 VDC.

**THIS MFJ-481 GIVES YOU TWO 50 CHARACTER MESSAGES.**

- Repeat function
- Tune function
- Built-in memory saver

**\$79<sup>95</sup>**



Similar to MFJ-482 but with two 50 character messages, less weight controls. Internal tone control. Volume control is adjustable from rear panel. 5x2x6 inches. 110 VAC or 12 to 15 VDC.

For Orders **Call toll-free 800-647-1800**

Order any product from MFJ and try it. If not delighted, return within 30 days for a prompt refund (less shipping).

Order today. Money back if not delighted. One year unconditional guarantee. Add \$2.00 shipping/handling. For technical information, order/repair status, in Mississippi, outside continental USA, call 601-323-5869.

Order By Mail or Call TOLL FREE 800-647-1800 and Charge It On



**MFJ ENTERPRISES, INC.** P. O. BOX 494 MISSISSIPPI STATE, MISSISSIPPI 39762

# ham radio

magazine

DECEMBER 1978

volume 11, number 12

**T. H. Tenney, Jr., W1NLB**  
publisher

**James R. Fisk, W1HR**  
editor-in-chief

**editorial staff**

Martin Hanft, WB1CHQ  
administrative editor

Charles J. Carroll, K1XX  
Patricia A. Hawes, WA1WPM  
Alfred Wilson, W6NIF  
assistant editors

Thomas F. McMullen, Jr., W1SL  
Joseph J. Schroeder, W9JUV  
associate editors

Wayne T. Pierce, K3SUK  
cover

**publishing staff**

C. Edward Buffington, WB1AMU  
assistant publisher

Fred D. Moller, Jr., WA1USO  
advertising manager

James H. Gray, W1XU  
assistant advertising manager

Susan Shorrock  
circulation manager

ham radio magazine  
is published monthly by  
Communications Technology, Inc.  
Greenville, New Hampshire 03048  
Telephone: 603-878-1441

**subscription rates**

United States: one year, \$12.00  
two years, \$22.00; three years, \$30.00

Canada: one year, \$14.00  
two years, \$26.00; three years, \$36.00

Europe, Japan, Africa:  
(via Air Forwarding Service)  
one year, \$25.00

North America, South America, Australia  
and Asia (except Japan):  
(via Surface Mail)  
one year, \$18.00

**foreign subscription agents**

Foreign subscription agents are  
listed on page 107

Microfilm copies  
are available from  
University Microfilms, International  
Ann Arbor, Michigan 48106  
Order publication number 3076

Cassette tapes of selected articles  
from *ham radio* are available to the  
blind and physically handicapped  
from Recorded Periodicals  
919 Walnut Street, 8th Floor  
Philadelphia, Pennsylvania 19107

Copyright 1978 by  
Communications Technology, Inc.  
Title registered at U.S. Patent Office

Second-class postage  
paid at Greenville, N.H. 03048  
and at additional mailing offices  
Publication number 233340



## contents

**12 high-frequency transverter**

Mark A. Oman, WA0RBR

**18 lightning protection**

John E. Becker, K9MM

**28 solar-powered repeater**

Theodore G. Handel, WB5REA  
Paul K. Beauchamp, WB5RSN

**34 universal digital readout**

Gerd Schrick, WB8IFM

**38 oscar calcu-puter**

David Brown, W9CGI

**46 simple video display**

Roy Hartkopf, VK3AOH

**50 Collins 32S-1 improvements**

Paul K. Pagel, N1FB

**57 top-loaded delta loop**

Francis J. Witt, W1DTV

**62 updated vacuum-tube receiver**

Frederick W. Brown, W6HPH

**72 1296-MHz double-stub tuner**

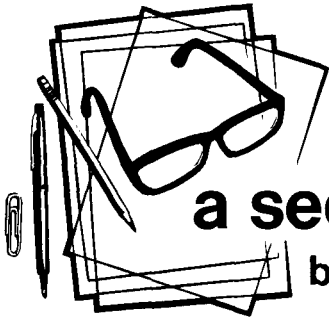
George Hatherell, K6LK

**84 1.5-GHz prescaler**

Jerry T. Hinshaw, N6JH

**4 a second look**  
**150 advertisers index**  
**110 coming events**  
**130 cumulative index**  
**107 flea market**

**118 ham mart**  
**6 letters**  
**90 new products**  
**8 presstop**  
**150 reader service**



## a second look

by Jim Fisk

Small-scale integration, large-scale integration, counters on a chip, 64K memories — are the possibilities limited only by the designer's imagination? I can think of no other segment of the electronics industry which has come so far, so fast, as integrated circuits. When vacuum tubes were 20 years old they were mired down by bitter patent litigation which had slowed development work to a standstill. Marconi, the Fleming patent holder, even placed a full-page advertisement in *QST* warning that amateurs who even *used* other than Marconi-licensed tubes for radio purposes were "liable to a suit for injunction . . . and they will be prosecuted." A scare tactic, perhaps, but it was effective and held back the progress of the entire radio industry.

No such patent litigation ever developed in the transistor industry because the inventors placed the basic idea in the public domain, so by the time transistors reached their 20th birthday there were more than 2000 registered types, and the industry was thriving. Circuit development, however, was stymied by engineers schooled in vacuum-tube techniques who struggled to make solid-state devices work as well as tubes. If you used any of the early solid-state ham gear you know that they were not always successful. In fact, there are some amateurs who still believe that, in a communications receiver, a solid-state front end is inherently inferior to a vacuum tube. In truth, solid-state front ends are actually several hundred times *better* than their vacuum-tube counterparts — both in strong-signal handling and sensitivity — but only when properly designed.

The rapid growth of integrated-circuit technology has been hampered neither by patent squabbles nor inept circuit design — to engineers who cut their teeth on transistors. ICs were the next logical step. So in this, their 20th year, ICs have already affected every industry, every level of society, and the end is nowhere in sight.

It was during the summer and fall of 1958 that Jack Kilby built the first integrated circuit at Texas Instruments. Other semiconductor manufacturers had been working on ways to miniaturize electronic circuits, but most of them relied on miniature discrete components. Kilby was the first to use semiconductor material for both the active and passive elements (resistors and capacitors) to build a complete circuit on a single piece of germanium. (Germanium was used because germanium manufacturing techniques were well established, and those for silicon were not.) Kilby's first circuits, a phase-shift oscillator and multivibrator, demonstrated the feasibility of this approach. On top of the germanium substrate were the contacts of the diffused transistors, junction capacitors, and resistors. A gold-plated metal frame protruded from the lower surface of the wafer and thermally-bonded gold wires were used for connections between those elements not linked by the substrate itself.

The first circuits were crude by today's standards — large and irregular; the photo masks and resists necessary for precision IC manufacturing were yet to be developed, so the patterns were hand painted on the semiconductor chip with black wax. About the same time Kilby was working on the first ICs in Texas, Fairchild Semiconductor developed the *Planar* process; this process made semiconductors more reliable and less expensive to produce, and greatly accelerated IC progress and acceptance.

In the 20 years since those early discoveries, prices have decreased and the number of circuits per unit area has increased dramatically. In 1962, for example, a typical IC flip-flop was about 2 mm square; a similar circuit in 1968 was ten times smaller, and today an entire 8-digit frequency counter with all control functions is available on a single chip. In 1962 a decade counter required several counter chips and logic gates for a total cost of twenty or more uninflated dollars; by 1968 the cost of a one-chip decade counter had dropped to about seven dollars; today you can buy a TTL decade for fifty cents! And you must remember that 1962 counter did well to count reliably at 1 MHz; the 1978 counter is guaranteed to 30 MHz.

Progress in the field of linear ICs has been just as impressive, and the many functions which are built into modern amateur transceivers are a direct result. Some of the newer transceivers have 25 or more controls on the front panel; can you imagine how many 6-foot racks of vacuum-tube circuits it would take to do the same job? And even if you had room for the racks, you wouldn't want to pay for the electric power to run them (and cool them). If progress in the next ten years is as rapid as in the past ten, the commercial equipment that will be available to amateurs in 1988 really boggles the mind.

**James Fisk, W1HR**  
editor-in-chief

# New, Remotable 2meter Mobile!



## ICOM's New IC-280

ICOM introduces its new 2 meter mobile radio with the detachable microprocessor control head, the **IC-280**. Bright, easy to read LED's and a new style meter grace the brushed aluminum "new look" front panel of the detachable control head, which provides memory and frequency control for the remotely mountable main section.

The **IC-280** comes as one radio to be mounted in the normal manner: but, as an option, the entire front one third of the radio detaches and mounts by its optional bracket and the main body tucks neatly away out of sight. Now you can mount your 2 meter mobile radio in places that seemed really tight before.

With the microprocessor head the **IC-280** can store three frequencies of your choice, which are selected by a four position front panel switch. These frequencies are retained in the **IC-280's** memory for as long as power is applied to the radio. Even

when power is turned off at the front panel switch, the **IC-280** retains its programmed memories; and when power is completely removed from the radio, the  $\pm 600$  KHz splits are still maintained!

Frequency coverage of the **IC-280** is in excess of the 2 meter band; and the new band plan (144.5-145.5 MHz repeaters) can easily be accommodated, since it was included in the **IC-280's** initial planning by the ICOM design team.

The main section of the **IC-280** puts you up to the minute with the latest state of the art engineering. The new **IC-280** includes the latest innovations in large signal handling FET front ends for excellent inter-modulation character and good sensitivity at the same time. The IF filters are crystal monolithics in the first IF and ceramic in the second, providing narrow band capacity for today and tomorrow's crowded operating conditions.

Modular PA construction with broad band tuning provides full rated power across the full 2 meter band (plus a little).



All ICOM radios significantly exceed FCC specifications halting spurious emissions.

Specifications subject to change without notice.

**IC-280 Specifications:**  Frequency Coverage: 143.90—148.11 MHz  Operating Conditions: Temperature:  $-10^{\circ}\text{C}$  to  $60^{\circ}\text{C}$  ( $14^{\circ}\text{F}$  to  $140^{\circ}\text{F}$ ), Duty Factor: continuous  Frequency Stability:  $\pm 1.5$  KHz  Modulation Type: FM (F3)  Antenna Impedance: 50 ohms unbalanced  Power Requirement: DC 13.8V  $\pm 15\%$  (negative ground)  Current Drain: Transmitting: 2.5A Hi (10W), 1.2A Lo (1W), Receiving: 0.630A at max audio output, 0.450 at SQL ON with no signal  Size: 58mm(h) x 156mm(w) x 228mm(d)  Weight: approx. 2.2 Kg  Power Output: 10W Hi, 1W Lo  Modulation System: Phase  Max. Frequency Deviation:  $\pm 5$  KHz  Spurious Output: more than 60 dB below carrier  Microphone Impedance: 600 ohms dynamic or electret condenser type, such as the SM-2  Receiving System: Double superheterodyne  Intermediate Frequency: 1st: 10.695 MHz, 2nd: 455 KHz  Sensitivity: 1  $\mu\text{V}$  at 5 +N/N at 30 dB or better, Noise suppression sensitivity 20 dB, 0.6  $\mu\text{V}$  or less  Selectivity: less than  $\pm 7.5$  KHz at  $-6$  dB, less than  $\pm 15$  KHz at  $-60$  dB  Audio Output: More than 1.5W  Audio Output Impedance: 8 ohms

HF/VHF/UHF AMATEUR AND MARINE COMMUNICATION EQUIPMENT

DISTRIBUTED BY:

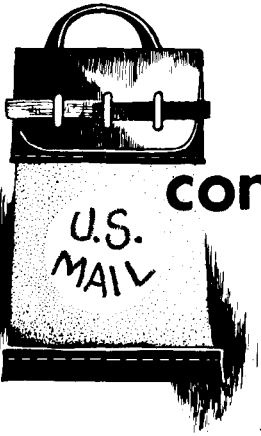


# ICOM

**ICOM WEST, INC.**  
Suite 3  
13256 Northrup Way  
Bellevue, Wash. 98005  
(206) 747-9020

**ICOM EAST, INC.**  
Suite 307  
3331 Towerwood Drive  
Dallas, Texas 75234  
(214) 620-2780

**ICOM CANADA**  
7087 Victoria Drive  
Vancouver B.C. V5P 3Y9  
Canada  
(604) 321-1833



## comments

### transient suppression

Dear HR:

I have read the article in your June 1978, issue, "Protecting Solid State Devices From Voltage Transients," with great interest. Mr. Prudhomme has written a very informative article that apparently was well researched, but I question his statement that varistors are excellent in suppressing transients on the line side of equipment power supplies.

The surge energy capacity of the MOV is proportional to the volume of its active material, and the breakdown voltage is proportional to the thickness of its material. Page 57 of the GE transient voltage suppression manual, referenced in Mr. Prudhomme's article, addresses itself to (1) Overstress Near Ratings, and (2) Extreme Overstress. The varistor has its place in the proper environment, but its application must be carefully chosen. As pointed out in Prudhomme's article, transients cover a wide range of frequencies and amplitudes. How do you select the proper component to protect against an unknown?

As a manufacturer of transient voltage suppressors, we discarded the varistor a number of years ago because it will age, and aging increases the leakage current. The higher the current, the faster the aging — a runaway condition. Also the higher the ambient temperature, the sooner this can happen. We have marketed a 110-volt plug-in unit that is extremely effective, using a *Tranzorb*\*

as the heart of a circuit; it is cost comparable to the circuits you describe. A comparison report of *Tranzorbs* versus various metal oxide varistors is available from General Semiconductor Industries.

Nanosecond ranges are becoming antiquated; picosecond ranges are the ones you must be concerned with.

**Stephen J. Sorger,**  
Vice President  
**W. N. Phillips, Inc.**  
Lake City, Michigan

### English, *si!* Metric, *no!*

Dear HR:

I have subscribed to *ham radio* almost since its inception, and have enjoyed it more than any of the other amateur magazines. When you added the metric units after the English measurements it was annoying, but I just cussed the confusion under my breath; when you made metric primary and English secondary, however, it was more than I could put up with. I refuse to have the metric system shoved down my throat.

**S. D. Brokhausen, W5VMN**  
Georgetown, Texas

### metrics made easy

Dear HR:

By choosing metrics for your primary system of measurement, you have again set the pace for the other amateur radio magazines. It's only through everyday usage that people will become conversant in the metric system; once they can speak *metric* as well as they do English, opposition to metric conversions will disappear.

**David L. Campbell, W1CES**  
Boston, Massachusetts

\**Tranzorb* is a registered trademark of General Semiconductor Industries, Inc., Post Office Box 3078, Tempe, Arizona 85281.

### radiation hazard

Dear HR:

W1HR's editorial in the August issue should serve as a caution to the ham community to exercise great care in the operation of vhf and uhf installations. This is particularly timely in view of the accelerating trend toward these higher frequencies.

There is, however, another possible hazard area which seems to have been ignored by amateurs and commercials as well. This is the use of uhf/vhf handy-talkies. Here, too, their use is multiplying and our improving technology is compounding the problem. In the past, 1 watt was a high power for these units; now 5-watt units are common, and higher power is probably on the way.

Now it seems that this should be low enough to be negligible, but the inverse square law does apply, so that power densities in close proximity to the antenna can reach significant levels. In operation, the HT antenna is situated but a few inches from the eyes of the operator.

A quick calculation, based on an isotropic source radiating 1 watt, shows that the 5 mW/cm<sup>2</sup> occurs about 4 centimeters from the antenna. A 4-watt power would thus give this power level at 8 centimeters, which is about the distance that an HT would be located from its operator's eyes if he close-talks the unit — as most people do.

I recognize that the 5 milliwatt level is recognized as being safe by most authorities. Furthermore, we are protected by the fact that most HTs will not function for an extended period of time at the 5-watt level. But I do not believe that it would be prudent to continue to ignore this possible source of eye damage, and we certainly should limit HT power levels to no more than 5 watts.

**Harley C. Gabrielson, K6DS**  
La Mesa, California





**A new  
concept from  
Atlas**

## 5 band receiver \$229.

Some people have called the Atlas RX-110 a stroke of genius. But it didn't take much genius to design it, just a lot of common sense.

Newcomers to amateur radio like to begin by monitoring amateur activity so they want an inexpensive receiver. Many old-timers like to have an extra receiver for their living room or bedroom so they don't have to stay in the shack or car waiting for band openings.

But with the recent popularity of the transmitter concept, the economical receiver simply disappeared. Now Atlas reintroduces a low price receiver: The RX-110 for \$229.

**DON'T LET THAT LOW PRICE DECEIVE YOU!** It's really a high performance amateur band receiver.

It's all solid-state and provides coverage of 80, 40, 20, and 15 meters, and 28 to 29 MHz of the 10 meter band. It's fully self-contained with its own AC supply and built-in speaker, and can operate on 12 to 14 VDC. The RX-110 is really a hot performer, with exceptionally high sensitivity, selectivity, and dynamic range.

But the RX-110 story doesn't end here. There's more!

## Transmit module \$159.

This is where our new concept makes even more sense (and saves you thousands of "cents"). Since many stages in a receiver are also required in a transmitter (VFO, IF Systems, Crystal Filter, Carrier Oscillator, Band-Pass Filters, and Diode Ring Mixer), we provided a connection on the back of the RX-110 so the TX-110 Transmitter Module can utilize

these common stages, eliminating the cost and labor of duplicating these steps. But there is absolutely no compromise on performance with this new concept.

Simply connect the TX-110 Transmit Module to the RX-110 Receiver and you have a complete 5 band CW-SSB transceiver!



## Complete 5 band CW-SSB transceiver

- Provides CW and SSB communications on 10, 15, 20, 40, and 80 meters with a choice of two power levels
- The TX-110-L runs 15 watts input on 20, 40, and 80 meters; 10 watts input on 10 and 15 meters
- The TX-110-H runs 200 watts input on 20, 40, and 80 meters; 150 watts on 15 and 100 watts on 10 meters
- Semi-break-in CW with sidetone monitoring is a standard feature
- PTT (Press-to-Talk) operation on SSB. Lower sideband on 40 and 80 meters. Upper sideband on 10, 15, and 20 meters.
- TX-110-L 15 watt module runs on AC supply in RX-110, so it is completely self-contained, including speaker. Simply connect antenna, and key or mike.
- TX-110-H requires additional AC supply to supply high current for 200 watt amplifier (Model PS-110).
- 200 watt amplifier may be added to TX-110-L at a later date, thus converting it to a TX-110-H.
- The RX-110, TX-110-L, and TX-110-H will all run directly from a 12 to 14 volt DC battery supply for mobile or portable operation. When the two units are mechanically joined (brackets supplied with TX-110), the transceiver slides into a plug-in mobile mount, Model MM-110.

### SUGGESTED RESALE PRICES:

RX-110	\$229
TX-110-L	\$159
TX-110-H	\$249
PS-110	\$ 89



# ATLAS RADIO

MADE IN U.S.A.

# presstop

AUTOPATCHES WEREN'T BANNED by the FCC in its action on interconnects in late October, despite a rumor to that effect circulating on both coasts. What the Commission did was to reaffirm the requirement that a control operator be on duty any time a repeater is used for autopatch, incoming or outgoing. "Automatic control" of a repeater is not permitted during autopatch operation.

A Repeater During an autopatch is not a repeater, the Commission also decided, as it is not then operating as a repeater but as a conventional Amateur station making a phone patch. As a result, the rules governing regular Amateur station operation, not the repeater rules, apply during autopatches.

PHASE II OF FCC'S NEW CALLSIGN program is going into effect January 1, providing Advanced Class licensees with the opportunity to upgrade callsigns when renewing their licenses. After January 1, an Advanced Class licensee who wishes to exchange his present callsign for a 2x2 need only check item 13a on his renewal Form 610 and send it in during the 60 days prior to expiration. NOTE: Renewals received before January 1 will be processed without callsign change, so Advanced Class operators who wish to change callsigns should hold applications until after the first.

Requests For Callsigns other than "Group B" (2x2) will not be honored under Phase II, nor will Extras be permitted any choice other than a 2x1 after January 1 — under the present rules, an Extra can specify a new callsign from any group "higher" than his present, if he so wishes.

900 MHZ WILL BE CB'S NEW HOME, if, indeed, CB is to get a new home. At an open Commission meeting in October the Commissioners heard the FCC's Personal Radio Planning Group present three options: keep CB as is on 27 MHz, keep 27-MHz CB as is but add a new CB service at 220 MHz, or keep 27-MHz CB as is but add a new CB service at 900 MHz. They made no specific recommendations to the Commissioners, but discussed the three options at some length along with the factors affecting them (which definitely favored 900 MHz for expansion).

The Need For Any CB expansion was questioned by Commissioner Margita White and others, and after some discussion the Commissioners decided not to go ahead with a Notice of Proposed Rule Making. Instead, they had the Personal Radio Division staff prepare a Notice of Inquiry on the establishment of a new personal radio service in the 900-MHz region.

THE FCC'S FEE REFUND PROGRAM is supposed to get under way by the first of the year, with FCC licensees who paid more than \$20 for their licenses first in line for reimbursement. Details of how all this is to be done have yet to be worked out, as the amount to be repaid is to be the fee less the license's "value" to the applicant (how much is a 2-letter call worth?). A Notice of Inquiry, soliciting comments on how such values can be derived, and other aspects of the program, will come out first. About all that seems certain at this time is that Amateurs who paid \$25 for a special callsign are due to receive something back, and they'll be in the first group to be repaid.

FCC Commissioner Margita White's term on the FCC has expired, and President Carter has nominated Ann P. Jones of Arlington, Massachusetts, to replace Mrs. White. Miss Jones has been general counsel to the Federal Home Loan Bank since last January. Mrs. White's departure from the Commission will be noted by the Amateur community. She's been particularly sympathetic to the needs of the Amateur service during her term.

LICENSE REVOCATIONS for bribing an FCC employee to issue unmerited 1x2 callsigns were handed out to two Ohio Amateurs in October. Revoked were the Amateur licenses of WA8ZDF/W8MZ and WB8AKU/WB8CPL, as an aftermath of the FBI's licensing investigation that resulted in the conviction of FCC Gettysburg employee Richard Ziegler in June, 1977. The revocations become effective in 50 days unless there is an appeal or the Commissioners choose to review the case.

THE NEGATIVE EFFECTS OF AMATEUR ANTENNA structures on neighborhood property values is the real issue in many anti-tower zoning laws and anti-antenna suits, the Personal Communications Foundation (PCF) reports. It's the issue in the N6QQ case, where the city of Cerritos has agreed that N6QQ's tower was structurally sound and its safety was not an issue.

Professional Help on the property value issue is being sought by the PCF for the N6QQ case, which the Foundation believes could have a negative effect on Amateurs' antenna rights nationally if it goes against N6QQ. Real estate appraisers, realtors, or others who could provide expert opinions on the antenna vs property value issue should contact Ken Wideltz, WA6PPZ, at the Personal Communications Foundation, 10960 Wilshire Boulevard, Suite 1504, Los Angeles, California 90024 (213) 478-1749.

BIOLOGICAL EFFECTS OF RF radiation will be studied by a newly formed professional group, the Biomagnetics Society. Formation of the group was announced at the International Microwave Symposium in Ottawa this summer, and its first president is Dr. Edward Alpen, professor of medical physics at the University of California at Berkeley. For membership information, write to Box 3651, Arlington, Virginia 22203.

# The New GLA-1000<sup>TM</sup> Just In Time for Christmas



DenTron's newest linear, the GLA-1000 is an exciting gift for the ham in your life. It's a power packed 1200 watt PEP SSB 1KW CW amplifier that covers 15-80 meters. The GLA employs 4 D-50 A tubes in the final, (similar to 6LQ6 tubes), thus keeping the cost down. Our Great Little Amp makes a great little gift!

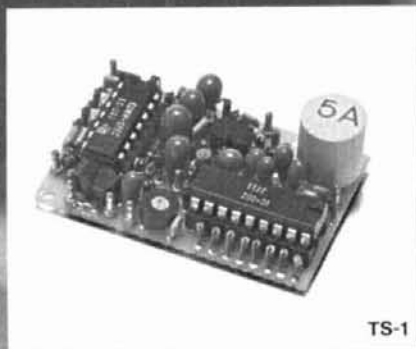
*Great Size, Great Power, Great Price. Great*

*Little  
Amp*

**DenTron<sup>®</sup>**

Radio Co., Inc.  
2100 Enterprise Parkway  
Twinsburg, Ohio 44087  
(216) 425-3173

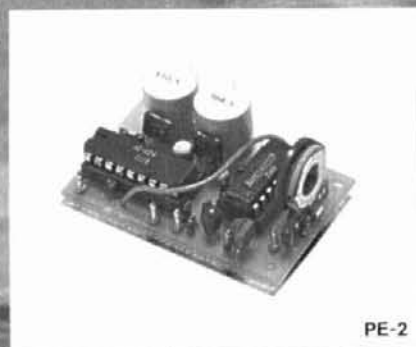
**\$379.50 Suggested Retail**  
**FCC Type Accepted**



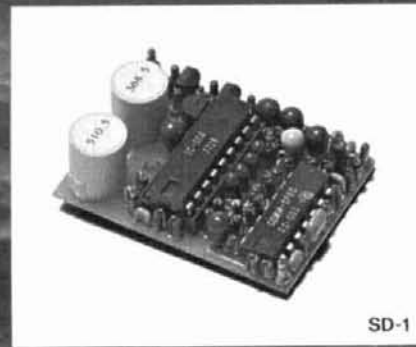
TS-1



TS-1JR



PE-2

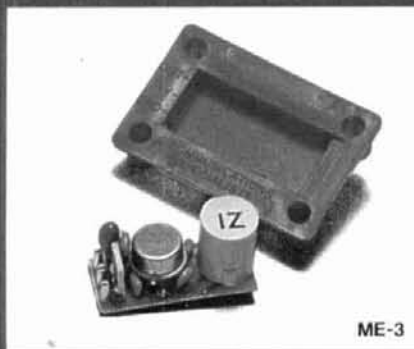


SD-1

# THE DAWNING

The age of tone control has come to Amateur Radio. What better way to utilize our ever diminishing resource of frequency spectrum? Sub-audible tone control allows several repeaters to share the same channel with minimal geographic separation. It allows protection from intermod and interference for repeaters, remote base stations, and autopatches. It even allows silent monitoring of our crowded simplex channels.

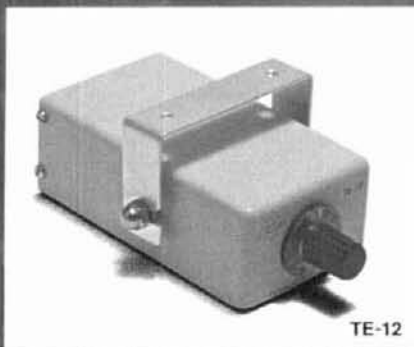
We make the most reliable and complete line of tone products available. All are totally immune to RF, use plug-in, field replaceable, frequency determining elements for low cost and the most accurate and stable frequency control possible. Our impeccable 1 day delivery is unmatched in the industry and you are protected by a full 1 year warranty when our products are returned to the factory for repair. Isn't it time for you to get into the New Age of tone control?



ME-3



TE-8



TE-12



ST-1

# OF A NEW AGE.

**TS-1** Sub-Audible Encoder-Decoder • Microminiature in size, 1.25" x 2.0" x .65" • Encodes and decodes simultaneously • **\$59.95** complete with K-1 element.

**TS-1JR** Sub-Audible Encoder-Decoder • Microminiature version of the TS-1 measuring just 1.0" x 1.25" x .65", for hand-held units • **\$79.95** complete with K-1 element.

**ME-3** Sub-Audible Encoder • Microminiature in size, measures .45" x 1.1" x .6" • Instant start-up • **\$29.95** complete with K-1 element.

**TE-8** Eight-Tone Sub-Audible Encoder • Measures 2.6" x 2.0" x .7" • Frequency selection made by either a pull to ground or to supply • **\$69.95** with 8 K-1 elements.

**PE-2** Two-Tone Sequential Encoder for paging • Two call unit • Measures 1.25" x 2.0" x .65" • **\$49.95** with 2K-2 elements.

**SD-1** Two-Tone Sequential Decoder • Frequency range is 268.5-2109.4 Hz • Measures 1.2" x 1.67" x .65" • Momentary output for horn relay, latched output for call light and receiver muting built-in • **\$59.95** with 2 K-2 elements.

**TE-12** Twelve-Tone Sub-Audible or Burst-Tone Encoder • Frequency range is 67.0-263.0 Hz sub-audible or 1650-4200 Hz burst-tone • Measures 4.25" x 2.5" x 1.5" • **\$79.95** with 12 K-1 elements.

**ST-1** Burst-Tone Encoder • Measures .95" x .5" x .5" plus K-1 measurements • Frequency range is 1650-4200 Hz • **\$29.95** with K-1 element.



**COMMUNICATIONS SPECIALISTS**

426 West Taft Avenue, Orange, CA 92667

(800) 854-0547, California residents use: (714) 998-3021

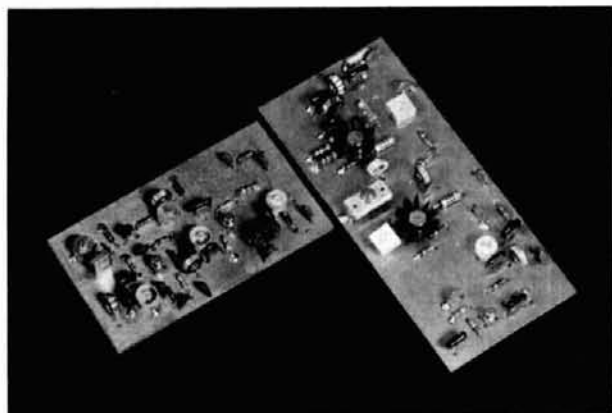




## low-power transverter for the high-frequency amateur bands

Is your  
QRP transceiver  
band limited?  
Try this  
simple transverter  
to obtain  
multiband operation

**Low-power transceivers** are becoming more popular each day on the amateur bands. Many of these rigs are single or dual band, usually for 40 and 20 meters. My home-brew 20-meter ssb transceiver fits this category. The need for 80-meter operation resulted in the transverter described here. A savings of both money and construction time can be realized if a transverter is used — rather than constructing an entire assembly for another band. The transverter eliminates the need for another ssb filter, VFO and associated components, and dial drive and indicator. The transverter can be used with any 20-meter transceiver or transmitter/receiver combination. Com-



Printed-circuit boards for the low-band transverter. Receiver board is to the left, transmitter board to the right.

By **Mark Oman, WA0RBR**, 427 East 11 St.,  
Loveland, Colorado 80537

mercial QRP transceivers, such as the HW-7 and Ten-Tec PM series, can also be used with this transverter. Both ssb and CW modes can be used.

I built the transverter for 80 meters, but other bands can also be covered. With appropriate component changes for inductors and capacitors, the same PC-board layout can be used. **Table 1** lists values for these components for 160, 40, 15, and 10 meters. The transverter provides CW or ssb output of approximately 1-2 watts and needs a minimal amount of rf drive.

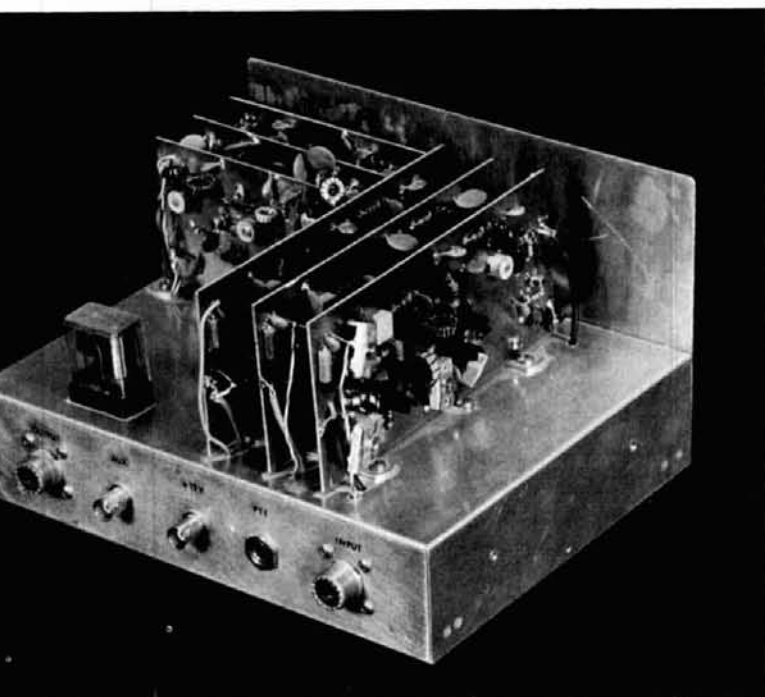
### operation

The basic principle of this transverter is to receive a 3.5-4 MHz signal, convert it to 14 MHz, and transmit a 3.5-4 MHz signal by converting 14 MHz to 3.5 MHz. A crystal oscillator of 18 MHz provides the signal to convert these frequencies. The oscillator operates on both transmit and receive modes.

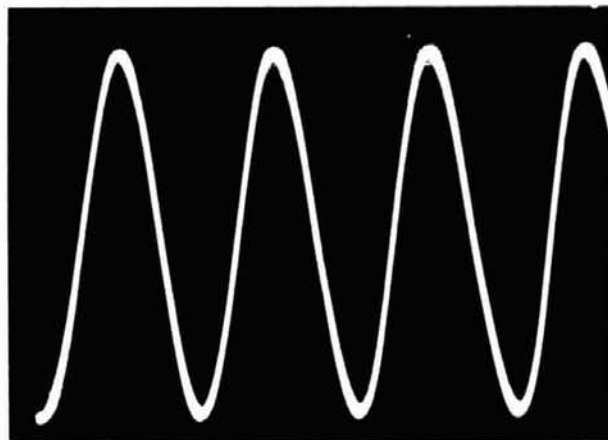
### receive mode

Referring to **fig. 1**, Q3 operates as an 18-MHz, third-overtone crystal oscillator with output tuned by L5 and C14. Q1 is a dual-gate mosfet rf amplifier tuned to the 80-meter band. The 80-meter signals are mixed with the 18-MHz oscillator output in Q2, resulting in a 14-MHz output across L4. A 50-ohm

Rear view of the transverter showing the 10, 40, and 80 meter circuit board assemblies. The receiver converters are in the background, while the transmitter converters are in the foreground.



Transverter output on 80 meters showing ssb (upper) and CW (lower) modes as viewed on a Hewlett-Packard model 182 oscilloscope.



output impedance is obtained by using a capacitive divider across L4.

### transmit mode

Q1 operates as a mixer, this time mixing 18 MHz with the 14-MHz input signal to produce a 4-MHz signal at Q2 base. Q2 is a class-A amplifier with about 100 mW output to drive Q3. A "T" network matches Q2 collector impedance to Q3 base impedance. Q3 is a linear amplifier. Its bias is adjusted by R13. L4, L5, C15, C16, and C17 are a pi network to match the Q3 collector impedance to 50 ohms. (This matching network also provides good harmonic attenuation.)

The transverter matching network design was based on the excellent articles in reference 1. Design was a lot easier than anticipated and circuit debugging was fairly easy.

Attenuator Z1 is a critical part of the circuit for transmitting clean signals. Most QRP rigs will need about 20 dB attenuation, as only 10-20 mW is needed to excite Q1. Too much drive will cause distortion on

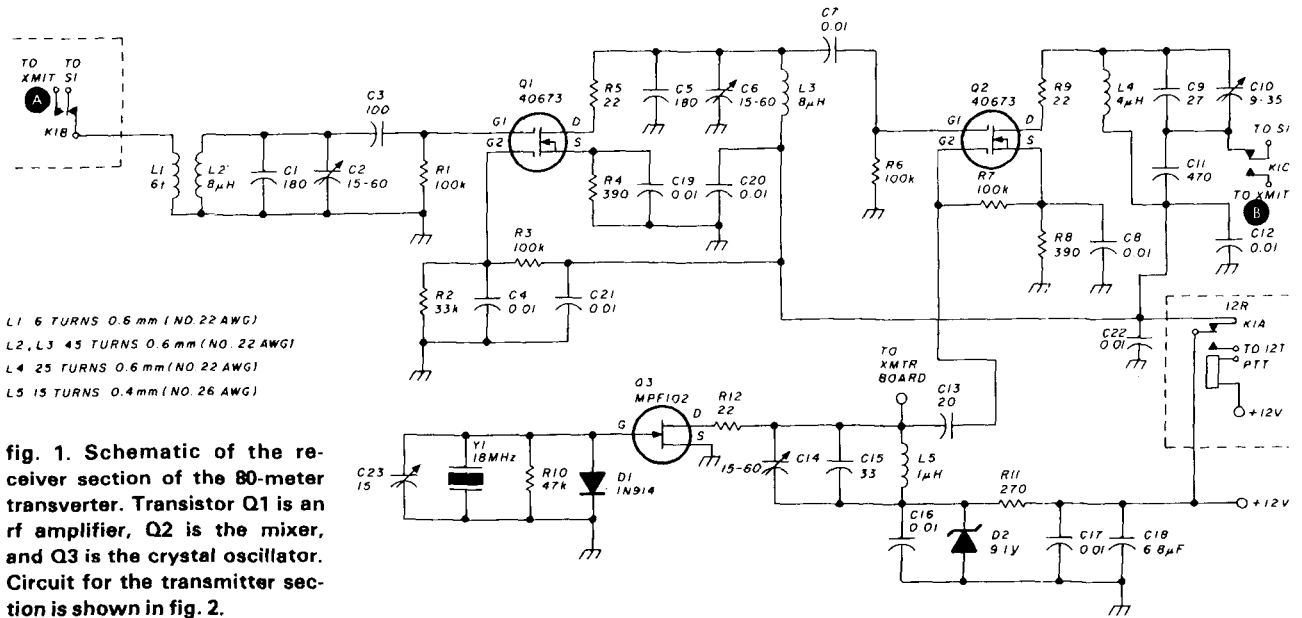


fig. 1. Schematic of the receiver section of the 80-meter transverter. Transistor Q1 is an rf amplifier, Q2 is the mixer, and Q3 is the crystal oscillator. Circuit for the transmitter section is shown in fig. 2.

ssb. Drive on CW, however, is not as critical. Some experimentation with Z1 may be necessary if you use ssb; i.e., more or less attenuation may be needed with your rig. Fig. 2 gives component values for the attenuation needed. The attenuator provides the additional bonus of a 50-ohm load to the driving transmitter, a near-must with solid-state rigs.

Liberal use of bypass capacitors on the dc lines helps to prevent oscillation in both transmit and receive modes.

**construction**

Transverter construction is easy because of PC-board layout and use. The receiver and transmitter

sections are built onto separate boards. Circuit-board patterns for both the transmit and the receive board are shown. Double-sided, glass-epoxy board is used, with one side acting as a continuous ground plane. The copper around the component leads is drilled out using a large drill bit.

PC boards are definitely the answer to home construction. They provide clean layout, ease of construction, and, almost always, superior operation. Board layout is easy and provides a convenient way to make changes and experiment with your own ideas.

The two boards are wired together using RG-174/U cable. I mounted mine in an enclosure where

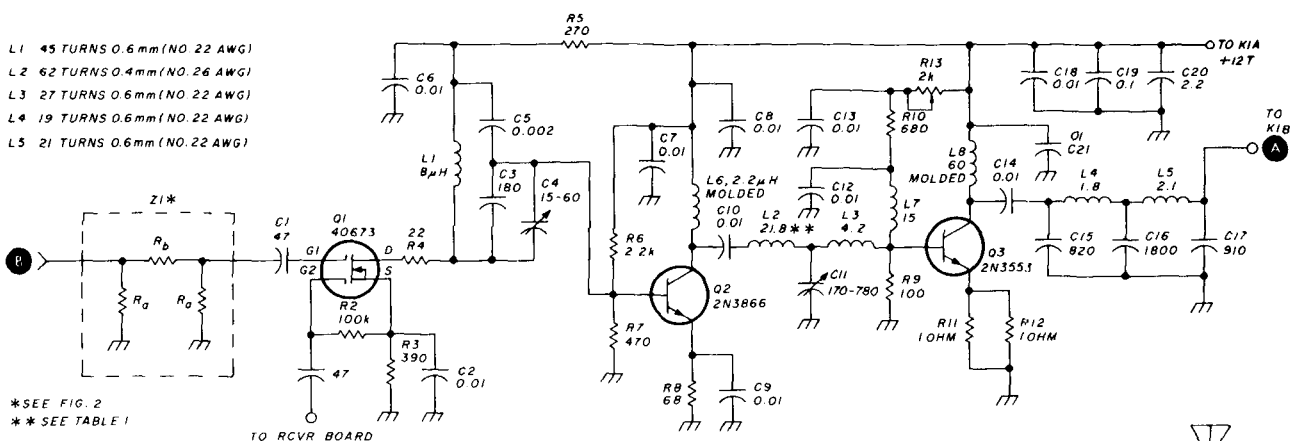


fig. 2. Circuit of the transmitting section of the 80-meter transverter. Transistor Q1 is the mixer with oscillator injection from the receiver crystal oscillator; Q2 is a class-A driver, and Q3 is a linear power amplifier. Some adjustment of the values of the input attenuator Z1 may be required for correct operation with different rigs.

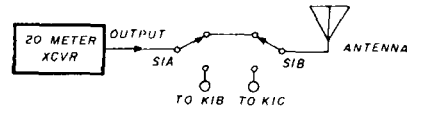




table 1. Values for transverter components for 160, 40, 15, and 10 meters.

band	receiver assembly			C1, C5 (pF)	C2, C6 (pF)
	L1	L2( $\mu$ H)	L3( $\mu$ H)		
160m	7t	16	8	430	15-60
40m	4t	53t/T68-2	45t/T68-2	82	15-60
		4.3	4.3		
15m	3t	29t/T50-2	29t/T50-2	18	9-35
		1.5	1.5		
10m	3t	22t/T37-6	22t/T37-6	5	9-35
		1.1	1.1		
		19t/T37-6	19t/T37-6		

band	C14(pF)	C15(pF)	L5( $\mu$ H)	Y1(MHz)	bypass capacitor ( $\mu$ F)
160m	15-60	33	1.2	16	0.1
40m	15-60	15	1	21.5	0.005
15m	15-60	—	0.5	35.5	0.001
10m	9-35	—	0.5	42.3	0.001
				42.8	

band	transmitter assembly				
	L1	L2	L3	L4	L5( $\mu$ H)
160	16	44	8.5	3.6	4.2
	53t/T68-2	90t/T68-2	40t/T68-2	25t/T68-2	27t/T68-2
40	4.3	11.8	2.25	1	1.1
	28t/T68-2	45t/T68-2	21t/T50-2	14t/T50-2	15t/T50-2
15	1.5	4	0.8	0.33	0.37
	22t/T37-6	32t/T50-6	14t/T50-6	10t/T37-6	11t/T37-6
10	1.1	3	0.6	0.25	0.28
	19t/T37-6	27t/T50-6	14t/T37-6	9t/T37-6	10t/T37-6

band	C3	C4	C5	C11	C15	C16	C17(pF)
160	430	15-60	5000	170-780*	1800	4000	2000
40	82	15-60	1000	50-380	430	1000	500
15	18	9-35	390	37-250	150	330	180
10	5	9-35	300	16-150	110	240	130

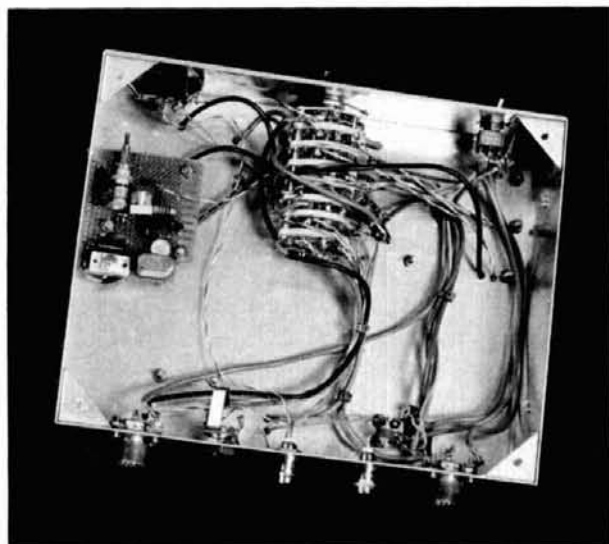
band	bypass capacitors			
	L6( $\mu$ H)	L7( $\mu$ H)	L8( $\mu$ H)	( $\mu$ F)
160	4.7	33	150	0.1
40	1.5	8	33	0.005
15	0.47	2.7	12	0.001
10	0.27	2.2	10	0.001

\*In parallel with 500

they are grouped with boards for 40, 15, and 10 meters to make an all-band transverter. A 3PDT relay switches +12V, the 20-meter transceiver, and the antenna between transmit and receive modes. S1 allows either the transverter to be used or the main rig to be operated straight through. Heat sinks should be used at Q2 and Q3.

### alignment

The first step in aligning the transverter is to obtain



View of the chassis showing the bandswitch and internal wiring. The small board on the left is a WWV receiver converter.

18-MHz operation from Q3. Adjust C14 for maximum output using either an rf probe or a communications receiver. C23 can be used to adjust Y1 to exactly 18 MHz. The next step is to adjust C2, C6, and C10 for maximum signal strength while receiving an 80-meter signal.

Before applying drive on transmit, adjust R13 for minimum Q3 collector current. Next apply a low-level signal to Q1 (approximately 8V p-p at G1 of Q1). With a 50-ohm dummy load connected to the output, adjust C4 and C11 for maximum output.

Monitor the signal on a separate 80-meter receiver for best tone characteristics. For ssb adjust R13 for a collector current of 5 mA. Adjust C4 and C11 for maximum output. Monitor the ssb signal on an 80-

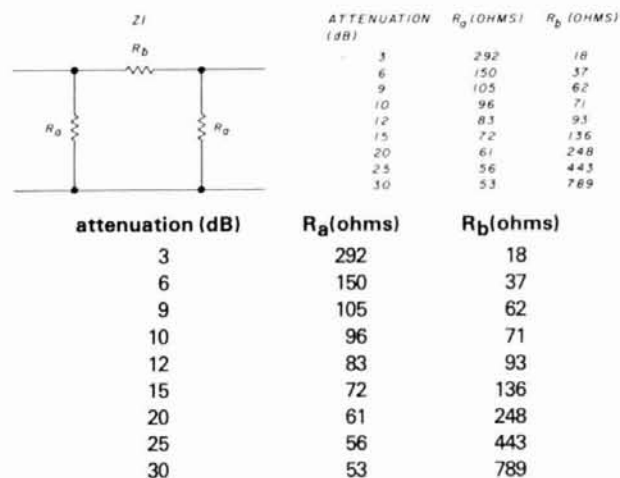
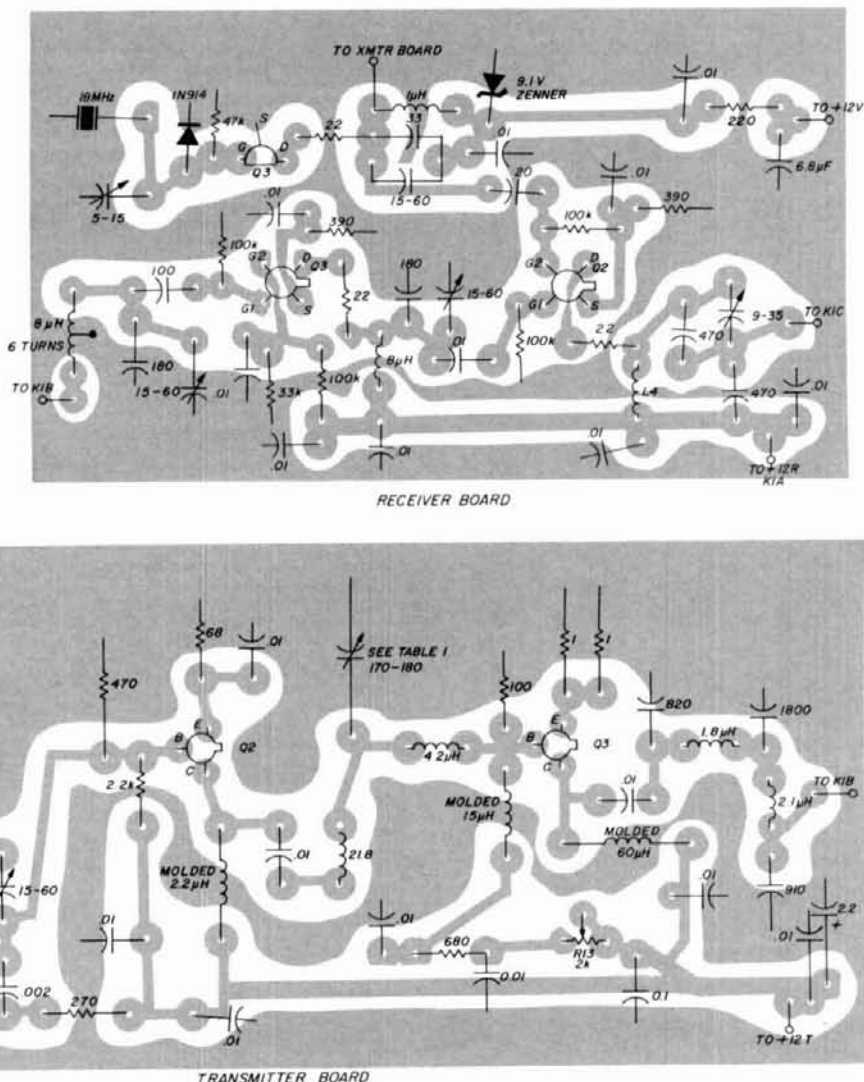


fig. 3. Component values for different attenuation ratings of the pi attenuator, Z1, in fig. 2.

fig. 4. Component layouts for the printed circuit boards used in the low-band transverter.\* Receiver board is shown on top, transmitter board at bottom.



meter receiver and readjust drive for no distortion (see photos). Readjust C4 and C11 for the best-sounding ssb signal. This completes alignment. The transverter should now be ready for on-the-air use.

## operation

Because of the transistor used and the output network, the transverter *must* be operated into a 50-ohm load. Any departure from 50 ohms can cause the final stage to self-oscillate. Adding a 40V zener from Q3 collector to ground would be helpful in preventing damage to Q3 should oscillations occur. A transmatch is a great help in providing a nonreactive load for the transmitter.

With the output displayed on an HP-182 100-MHz

scope, no harmonic energy could be observed. The CW and ssb outputs are shown in the photos.

Approximately two watts output was obtained on CW and one watt on ssb. The networks are sufficiently broadband to allow operation across the 80-meter band.

## in conclusion

The transverter has provided good 80-meter coverage. Contacts have been made between the East and West Coast and into Mexico. Because QRP is my main interest, the one-watt output level is quite adequate. Under poor band conditions a linear amplifier can be added to increase output level.

## reference

1. DeMaw and Rusgrove, "Learning to Work with Semiconductors," QST, April - September, 1975.

ham radio

\*Full-size printed-circuit layouts are available from *ham radio*; please send self-addressed, stamped envelope with all requests.

# Grab a real HANDFUL of 2-Meter Versatility and Value!



Shown with Optional  
Auto-Patch Encoder  
Installed for access to  
repeaters with tele-  
phone auto-patch inputs



Optional Holster-Style Leather Case and  
External Microphone Let You Use the VF-2031  
with maximum convenience!

## The all new HEATHKIT VF-2031

Two meters is the exciting place to be in Amateur Radio today and the new Heathkit VF-2031 hand-held transceiver gets you there in real style! Like every Heathkit product, it's designed by Hams for Hams, and it gives you the value, features and performance you're looking for!

A minimum 2 watts out gives you plenty of power for local two-way communications and repeater access. Spurs are down a full 60 dB so you never worry about causing interference or accidentally keying repeaters. A separate speaker and microphone and well-designed FM circuitry bring you outstanding audio quality on both transmit and receive. Eight crystal-controlled channels and  $\pm 600$  kHz offsets give you a total of 8 receive and 24 transmit channels for real versatility.

Shop and compare! At just \$189.95 in kit form, we don't think you'll find a better all-around hand-held rig than the VF-2031! And with its complete list of options - auto-patch, tone encoder, external mike and holster-style leather carrying case - it puts real 2-meter power right in your hands!



Read about the new VF-2031 and all the other exciting Amateur Radio products from Heath in the new FREE Heathkit Catalog. Send for your copy today.

Or bring this coupon to your nearest Heathkit Electronic Center (Units of Schlumberger Products Corporation) for a copy of your FREE catalog.

Price is mail order net. F.O.B. Benton Harbor Michigan. Prices and specifications subject to change without notice. Available for shipment Jan. 1979, subject to FCC Approval.

HEATH  
Schlumberger Heath Company, Dept. 122-480  
Benton Harbor, Michigan 49022

**FREE!**

Please send me my FREE Heathkit Catalog.  
I am not on your mailing list.

Name \_\_\_\_\_

Address \_\_\_\_\_

City \_\_\_\_\_ State \_\_\_\_\_

AM-383A \_\_\_\_\_ Zip \_\_\_\_\_

There's more for the Ham at Heath

# lightning protection for the amateur station

A lightning strike  
can be devastating.  
This article provides  
a thorough treatment  
of how to avoid  
catastrophe in  
the ham shack

**Lightning protection is a subject** that should be of interest to every amateur and especially to those who have high antennas. It's a subject that's had little coverage previously in amateur publications despite the fact that there are some very effective protection techniques, which are widely known and applied to professional communications installations. Many of these techniques can be applied to the typical amateur station with minimal expense and effort. Some techniques, which involve more effort and expense, might be warranted only in situations where the *probability of being struck by lightning is high*.

Before protection techniques are discussed, it's desirable to have an understanding of exactly what causes lightning, the magnitude of a lightning stroke, and the probability of being struck.

The Earth's atmosphere is constantly being bom-

barded by cosmic rays. When these rays collide with gas molecules electrons are separated from some molecules, creating positive ions. Similarly, some molecules capture a free electron and become negative ions. It's estimated that our atmosphere contains about  $4 \times 10^3$  ions per  $\text{cm}^3$  ( $6.5 \times 10^4$  per  $\text{inch}^3$ ). At altitudes above 64 km (40 miles), the number of ions exceeds the number of neutral molecules; this is the region known as the ionosphere. At low altitudes, this number is insignificant compared with the number of neutral molecules. Still, the presence of these ions makes it possible for the air to conduct electricity to a small degree.<sup>1</sup>

**Atmospheric makeup.** The atmosphere taken as a whole has a net positive charge of about  $10^6$  coulombs. The Earth's surface has an equal negative charge, and a potential difference of about  $3 \times 10^5$  volts exists between it and the electrosphere. The electrosphere is the region beginning at about 48 km (30 miles) up, in which the resistivity is sufficiently low so that there's no significant voltage gradient. (The ionosphere has the still lower resistivity necessary to reflect radio waves.) In fine weather, a constant flow of electrons occurs from the earth to the electrosphere, resulting in an electric field of about 100 volts per meter near ground. Lightning discharges return these electrons to earth at a rate sufficient to sustain a balanced dynamic system globally.<sup>2,3</sup>

For lightning to occur, a localized region of the atmosphere must attain sufficient electrical charge to produce a breakdown of the air molecules. The electric field near ground level rises to 500 volts per centimeter below a developing thundercloud and much higher still when lightning is about to strike.

By John E. Becker, K9MM, 201 E. Marion Street, Prospect Heights, Illinois 60070

The inside of a thundercloud is a turmoil of water, ice, and dust particles together with strong wind currents and temperature gradients. Although the mechanism is not totally understood, the result of this turmoil is a concentration of positively charged particles rising to the top of the cloud; negatively charged particles are concentrated in the lower areas of the cloud. This negatively charged region at the base of the cloud repels free electrons on the ground, resulting in an area beneath the cloud that's positively charged both with respect to the cloud and with respect to surrounding earth. Conditions now are correct for lightning to strike.

**Evolution of a lightning strike.** A lightning flash begins with a virtually invisible stepped leader, which travels down from the cloud toward the ground. Each step covers a distance of about 46 meters (150 feet) in less than one microsecond; the time between steps is about 50 microseconds. As this stepped leader progresses, it ionizes the air through which it passes, making it a good conductor. When the leader reaches within a few hundred meters of ground, ionized streamers begin to rise from the ground to meet it. Then the conductive path from cloud to ground is complete, and the visible portion of the bolt, known as the return stroke, begins.

It is the *return* stroke that has the destructive effects against which protection is needed. As soon as the conductive path is completed, electrons start flowing rapidly to ground. This action starts at the point of contact between the stepped leader and the rising streamer, and the greatly increased current causes the ionized path to glow brightly and get very hot — up to  $2 \times 10^4\text{C}$  ( $6.5 \times 10^4\text{F}$ ). The region of high current and brightness moves upward to the cloud at a speed of over  $9.6 \times 10^4$  km ( $6 \times 10^4$  miles) per second, drawing electrons from higher and higher in the cloud. This contrasts with the speed of the stepped leader, which typically averages only 384 km (240 miles) per second. Although the region of high-current density and hence the visible flash moves upward, the actual flow of electrons is downward.

After the first return stroke usually enough charge remains in the cloud to initiate a second leader. This usually occurs within 70 milliseconds or less; because of remaining ionization, this leader usually follows the path of the previous stroke and travels directly to earth in one step of about one millisecond. For this reason it's called a *dart leader*, and, like the stepped leader, it's followed by a return stroke. Although the average bolt flashes only twice, about ten per cent will have as many as ten flashes; occasionally bolts will have up to twenty flashes over a period of about one second.

**Electrical analysis.** For all practical purposes a lightning bolt may be considered a constant-current source. That is to say, when it strikes an object protruding above ground, the current that flows through that object to ground will be the same, regardless of whether the object is a metal tower with a resistance of 1 ohm or a tree with a resistance of several hundred ohms. This is because the atmosphere's resis-

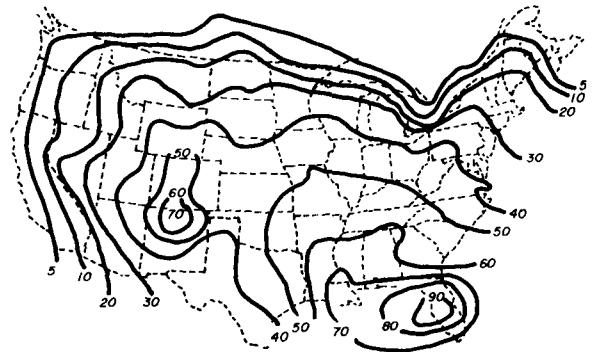


fig. 1. Map showing average annual number of thunderstorm days in the continental United States.

tance is so high that the series resistance added to the path by the object struck is insignificant. The resistance of the object struck becomes important when the voltage drop across the object and the power dissipated in the object are considered.<sup>4</sup>

The magnitude and duration of the current in a lightning bolt will vary from stroke to stroke. The stroke-current waveform consists of a rapid rise to the peak current, followed by a more gradual decay. A waveform of this type is described with two numbers: the rise time to the peak value and the decay time to 50 per cent of the peak value. A typical lightning bolt would have a rise time of about 2 microseconds and a decay time of about 40 microseconds. The peak current in a stroke will exceed  $1.7 \times 10^4$  amps in 50 per cent of all strokes. It will exceed  $6 \times 10^4$  amps in 10 per cent of all strokes,  $1.2 \times 10^5$  amps in 1 per cent of all strokes, and  $2.4 \times 10^5$  amps in 0.01 per cent of all strokes.<sup>5</sup>

### the probability of lightning damage in the U.S.

The probability that any given object will be struck by lightning depends on two things: the frequency and type of thunderstorms at the location of the object, and the object's height above average terrain. Observations made over a period of years have resulted in the compilation of an accurate map showing the average number of thunderstorm days per year in the United States (fig. 1). Note that this map does not take into account the possible occurrence

of more than one thunderstorm in an area on any given day. Therefore it's somewhat conservative as an indicator of the total number of thunderstorms likely to occur in a year, particularly in areas having larger numbers of thunderstorm days.

Thunderstorms are classified either as convection storms or frontal storms. Convection storms, which account for the majority of thunderstorms, are local in extent and relatively short in duration. Frontal storms extend over greater areas and may last for several hours. Statistical data has been tabulated to predict the expected number of lightning strokes to

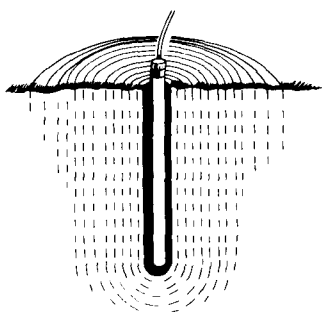


fig. 2. The concentric shell concept as an aid to understanding the resistance of the earth surrounding a ground rod.

ground per square mile (assuming flat terrain) per thunderstorm day. This number is called the *stroke factor*. The stroke factor for convection storms is 0.28; for frontal storms it is 0.37.<sup>6</sup>

In areas of flat terrain, the probability of lightning striking any given point is extremely low, but an object protruding above ground will attract lightning that would have otherwise struck all other points within a circular area surrounding the object. The radius of this area depends on both the height of the object and the intensity of the stroke. An object will attract a  $2 \times 10^4$ -amp stroke that would have struck anywhere within a radius of twice the height of the object had the object not been present. This radius increases to six times the height of the object for a  $6 \times 10^4$ -amp stroke and ten times the height of the object for a  $1.35 \times 10^5$ -amp stroke.<sup>7</sup>

## the importance of proper grounding

Three distinct situations are associated with a lightning strike that can result in damage to electronic equipment. The most obvious and potentially destructive is the effect of a direct strike. Less obvious, but still capable of causing considerable damage, are two secondary effects: induced voltage and ground current.

A lightning bolt is surrounded by an intense magnetic field. The bolt itself may go harmlessly to

ground, but its magnetic field will induce a voltage transient into any wires it encounters, such as antennas and feedlines, rotor-control cables, power lines, or telephone lines. When a lightning bolt goes to ground, current flows through the ground in all directions away from the point of the strike to dissipate the sudden excess accumulation of charge. This ground current can cause a significant potential difference to exist between different ground points. Improperly grounded equipment can end up in the path of some of this ground current. The lightning protection techniques to be described can prevent equipment damage from all three of these effects.

## protecting your gear

Lightning protection comes in increments. An unprotected station will be wiped out by any kind of strike. A partially protected station will incur less damage and may completely escape damage from a small bolt. A carefully planned and executed lightning protection system will protect against just about anything.

There are three basic protection techniques. Everything described here will contribute to one or more of them. The first technique is to send as much as possible of the lightning stroke directly down your tower and into the ground. The second technique is to make it as hard as possible for any of the energy of the strike to get to the equipment. The third and final technique is to control the path of any energy that reaches the equipment so that it finds its way harmlessly to ground.

**Grounding systems.** The first technique, that of sending as much of the current as possible directly to ground, requires grounding your tower. This isn't always easily accomplished. There's more to it than just driving a rod into the ground and connecting it to the tower. Any ground system has a resistance, which can be measured. This resistance determines the voltage level to which the tower will rise when struck by lightning. The magnitude of this resistance depends on certain characteristics of the soil that determine its resistivity; *i.e.*, composition, temperature, moisture content, and salt content.

A ground rod driven into soil of uniform resistivity radiates current in all directions. To understand the resistance of the soil surrounding the ground rod, think of the rod as being surrounded by an infinite number of thin concentric shells of soil all of equal thickness (fig. 2). The greatest resistance is in the shell directly next to the ground rod, because it has the smallest cross-sectional area at right angles to the current flow. Each succeeding shell is larger in cross section and therefore has less resistance. At a

small distance from the rod the area of each shell is so large that its resistance is negligible compared to the resistance of the shell directly next to the ground rod. The resistance varies inversely with the cross-sectional area. Measurements have shown that 90 per cent of the total resistance surrounding a ground rod is usually within a radius between 1.8-3 meters (6-10 feet) of the rod.

**Soil considerations.** The composition of the soil will depend on your location. Whatever soil you have you'll have to live with. Clay and loam are the most desirable soils for low resistance. Sand or gravel

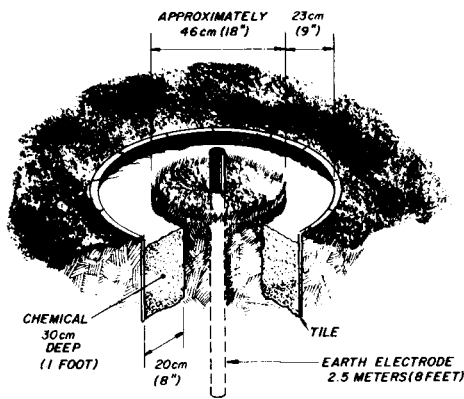


fig. 3. Method of reducing resistance of a ground connection by chemical means. The tile may be eliminated with little effect.

increase the resistivity in relation to their proportions, and soil that is mostly sand or gravel has fairly high resistance.

Whatever type of soil you have, a deep rather than a shallow ground is better for several reasons. Soil is seldom of uniform resistivity at different depths. The soil near the surface generally has higher resistivity than that at deeper levels because of wetting and drying out with seasonal variations. Deeper soil is more stable and less subject to such variations. Usually it has a higher moisture content than surface layers.

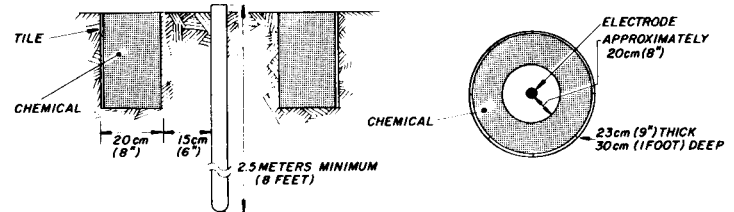
As the soil temperature decreases, its resistivity goes up. Frozen ground is a very poor conductor, as the negative temperature coefficient of soil resistivity increases sharply below freezing. Any ground rod should, at a minimum, extend several feet below the frost line in your area. Otherwise an early spring thunderstorm may occur while the ground is still frozen, and your ground system will be greatly reduced in effectiveness. A 2.5-meter (8-foot) ground rod is the absolute *minimum* that should be used.

### reducing soil resistance

Soil resistivity may be reduced artificially by

increasing its salt content. A doughnut-shaped trench can be dug surrounding the ground rod. Alternatively, a length of drain tile can be buried next to it. The trench or tile is filled with a chemical such as magnesium sulphate, copper sulphate, or ordinary rock salt. Rain and snow will dissolve the chemicals and wash them into the soil (fig. 3).

Deep-driven grounds are becoming the most popular and economical method for obtaining low-resistance ground connections. For ease of handling and driving, sectionalized *Copperweld* ground rods may be used. These rods are available in several diameters



and lengths. They are threaded on both ends, and special threaded couplings are used to join them. A driving bolt is attached to the top of the section being driven to protect the threads from damage (fig. 4).

Another effective method of reducing the resistance of a ground connection is to parallel several ground rods. For this technique to be effective, the rods should be between 1.5-3 meters (5-10 feet) apart. With less than 1.5-meter (5-foot) spacing, the conducting paths from adjacent rods will overlap excessively. With more than 3 meters (10 feet) of spacing, the reactance of the connecting wires becomes a detriment.

If multiple ground rods are used around the tower base, each rod should be securely fastened to the tower base, and also to a buried ring of 6.5 mm (no. 2 AWG) copper wire surrounding it. Guyed towers should have at least one ground rod at each guy anchor point; these rods should also be tied back to the ground ring at the tower base. In areas of high soil resistivity, buried radials spaced every 60 degrees and up to 46 meters (150 feet) in length, if possible, may be connected to the ground ring to lower the ground system resistance.

There's no hard and fast rule as to how low the ground system resistance should be for good protection. A value considered acceptable by some electric power systems and protection codes is 10 ohms, so this is a good objective to shoot for. Where the soil is mostly clay or loam this value is achievable, but in areas with rocky or sandy soil it may be economically unreasonable to attain.

Accurate measurement of ground resistance requires the use of sophisticated equipment not usually found in the amateur station. An ohmmeter is totally useless due to voltage gradients present in the soil from stray power-system currents and electrochemical effects. However a method that can be used with reasonably good success requires only

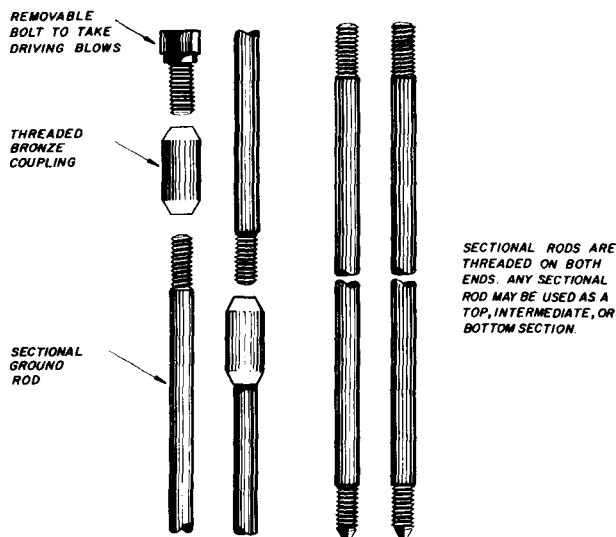


fig. 4. Copperweld sectionalized ground rods.

equipment that many hams would have or could borrow. It involves using an isolation transformer and a *Variac* (autotransformer) to pass 60-Hz ac through the ground between the ground rod to be tested and a known good ground, such as the power system neutral line. The voltage and current are measured, and the resistance is computed from Ohm's law. There's a very definite shock hazard associated with this method, so be careful! See fig. 5.

A question is often asked as to how large a ground conductor is necessary in a lightning-protection system. Often wire much heavier than necessary is used. A lightning stroke is of very short duration, and the heat produced in the wire by the current is limited. At a minimum, the wire must be large enough so that it's not heated to its melting point. A 2.6-mm (no. 10 AWG) copper wire can be sufficient to withstand a lightning stroke with  $2.5 \times 10^5$  amps peak current and a 40-microsecond decay time. This amplitude is exceeded by only one stroke in  $10^4$ . A 4.1-mm (no. 6 AWG) copper wire is recommended to provide an adequate safety factor in above-ground applications. For buried applications, 6.5 mm (no. 2 AWG) copper wire is recommended because of corrosion. Aluminum wire should have a cross-sectional area 1.6 times as large as the recommended copper gauges for the same current-handling capacity.

## tower and rotator considerations

With the tower securely grounded at the base, the next step is to ensure that this good solid ground extends all the way to the top. Although you'd expect good continuity between sections in a fixed tower, the joints are designed for mechanical strength only, and the possibility always exists that oxidation and corrosion will cause increased resistance between sections. A good practice is to bridge each section joint on each leg with a short length of 4.1-mm (no. 6 AWG) copper wire secured with ground clamps. This is particularly important at the hinge joint of foldover towers.

Crankup towers are harder to deal with, which is unfortunate because they're also more likely to be a less-than-ideal path to ground for lightning — unless grounding straps are added. If the tower is lowered only occasionally for antenna work, the same techniques as those for a fixed tower can be used. The obvious inconvenience is that you'll have to climb the tower (make sure all safety stops are properly engaged first) and remove the grounding straps before the tower can be lowered. If the tower is raised and lowered frequently, about the only thing you can do is run grounding straps from the top of the top section all the way to the top of the bottom section. The straps should be pulled straight when the tower is fully raised, and of course they will hang down when it is lowered.

To protect your rotor, one or more bonding straps should be connected between the mast above the rotor and the tower legs. Leave no more slack than necessary to allow full rotation. Stranded wire, such as automotive battery cable, will stand up better to repeated flexing than will heavy solid wire.

The mast itself, or an air terminal clamped to the top of it, should extend far enough above the antenna so that its cone of protection includes the antenna and protects it from a direct hit. This mast extension should be at least half the turning radius of the antenna. The elements of an antenna are usually heavy enough to escape damage even if hit directly, and most antennas are at dc ground potential; but the path that provides this dc ground may not withstand the stroke current. Items such as ferrite baluns, traps, gamma matches, and element insulators are vulnerable and hard to protect in case of a direct hit on the antenna itself.

If the topmost point on the antenna system is the vertical element of a ground plane, make sure it is dc grounded at the base with an rf choke. This choke should have the lowest inductance possible for the frequency range of the antenna and should be made of the heaviest gauge wire practical.

If the tower is a wooden pole or other nonconduct-



ing support, it should be topped with an air terminal connected to the ground system with a 4.1-mm (no. 6 AWG) copper wire stapled to the pole on the side opposite the antenna feedline. A roof-mounted antenna system should be grounded similarly.

The shields of all coaxial feedlines should be bonded to the tower at the top and bottom, and at 15-meter (50-foot) intervals on taller towers. This is easily accomplished by using bulkhead coax connectors mounted on plates, bolted to the tower at the appropriate levels. Be sure to use waterproof connectors or take other suitable steps to keep moisture out of the coax.

## residual lightning energy

All the techniques covered to this point have been concerned with shunting as much of the direct lightning energy as possible directly to ground. Now the emphasis will shift to the leftover energy that has found its way onto feedlines, rotor cables, etc., and to techniques for keeping it out of the rig. It all comes down to making these conductors look like a high impedance to the lightning. Remember that a lightning bolt is a series of pulses having rise times on the order of 2 microseconds. This makes it similar to a 500-kHz rf signal in terms of the effects of reactive elements it may encounter. Specifically, it's desirable to introduce *series inductance* in any conductors leading from the tower to the rig.

Obviously it's impractical to break the run of coax and place coils in series with the inner and outer conductors. While these might stop the lightning coming down the line, they would just as certainly also stop the flow of rf energy from the transmitter to the antenna. If the antenna is at dc ground as recommended earlier, the same potential will be impressed onto both the inner and outer coax conductors by a lightning strike. At every convenient opportunity, the coax should be bent at as sharp an angle as allowed by its minimum bending radius. The lightning pulse wants to go in as straight a line as possible, so these bends appear to it as an increased impedance. As far as an rf signal is concerned, as long as the dimensional relationship between coax inner and outer conductors is maintained, it makes no difference how often it is bent. Any excess feedline should be wound into a coil before entering the building, as this further increases the impedance it presents to lightning. Rotor cables and any other lines from the tower to the station should be treated similarly.

An additional technique that may be employed is to run the feedlines and control cables through a length of metal conduit. The magnetic field generated by lightning-stroke currents will perceive the conduit as one big shorted turn, resulting in another desirable increase in series impedance. This is partic-

ularly effective if the cables are run through conduit for 6 meters (20 feet) or more.

I'd like to emphasize that the isolation techniques just described are effective *only* if a good ground has been established at the tower. All the current is going to go to ground somewhere, and a low-resistance tower ground, together with a high impedance from

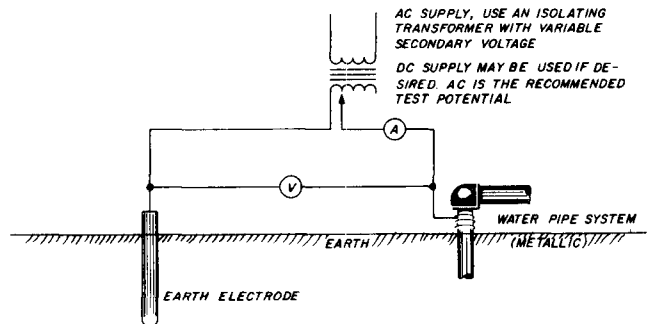


fig. 5. A simple method of measuring ground resistance.

the tower to the rig, only establishes how the current is divided up between these two paths.

## station grounds

At this point, the protection job is two-thirds done. With good tower grounding and rig isolation, most of the stroke current will go straight down the tower to ground. The remaining task is to control the ground path followed by the remaining current which comes into the rig so that no equipment damage results.

It would be nice if it were possible to arrange things so that no ground path at all goes through the rig. In fact it's possible but seldom practical to do exactly that. It's worthwhile to examine what it would take to accomplish this, if for no other reason than to help in understanding the protection techniques to be followed in the more practical alternatives.

Let's assume that the only connection from the tower to the rig is a single feedline. Let's also assume that you have no other connection between the rig and the rest of the world; *i.e.* no ac power lines, no telephone, nothing. The rig must be battery powered or have its own ac generator. The final assumption is that the entire rig, including its power source, is perfectly insulated from ground; no leakage, and sufficient clearance such that no arc-over to ground will occur.

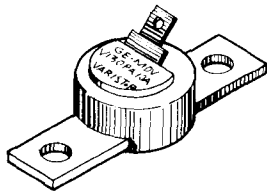
Now if lightning strikes the tower, let's see what happens. If it is an "average" stroke of  $1.7 \times 10^4$  peak amps, and if the tower ground resistance is 10 ohms, the tower, feedline, and rig will all rise to  $1.7 \times 10^5$  volts above ground. This number is conservative because it ignores the effects of inductance in the grounding path. In many cases a significant inductive reactance will occur in series with the resistance, and

the potential rise will be higher for a given stroke current. If the assumption is good that the rig is perfectly insulated from ground no current will flow, and no damage will occur.

### practical considerations

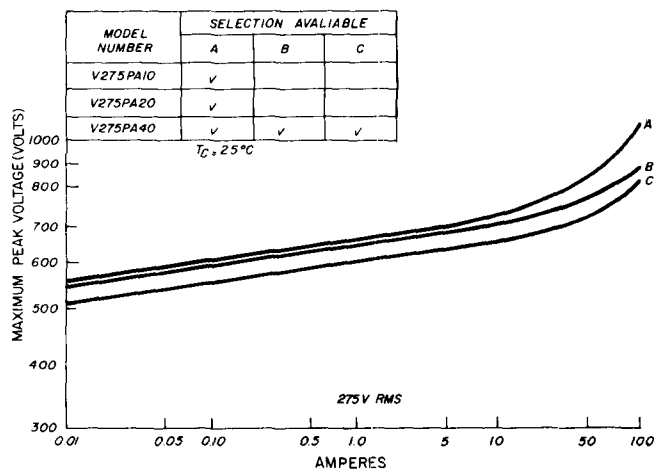
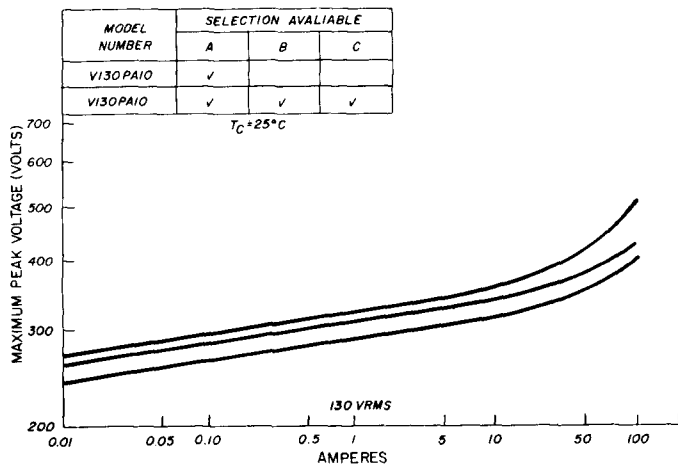
It should be obvious at this point that this kind of situation is seldom likely to exist. In the real world, the rig is not perfectly insulated from ground and connections exist to power lines and to the telephone

fig. 6. Ratings for a high-power zinc-oxide varistor. Note the sharply rising voltage characteristic above 10 amperes on parts rated for up to 2750 amperes peak current.



ground bus. This morass of ground interconnections may be fine in terms of signal distribution and ac safety, but it can spell disaster when lightning strikes.

Consider where the current is actually going to flow. For example, it may come down the coax-feed-line shield to the linear amplifier chassis, across this chassis to the input connector, along the input coax shield to the exciter, up the power cable ground wire to the power supply, through the power supply printed-circuit board to the ac line cord, and down the third wire to the ac conduit. A long and devious route such as this will look highly inductive to the lightning pulse. As a result significant voltage drops will occur along the way with a high probability of equipment damage.



model number	rms applied voltage 50-60 Hz volts	recurrent peak applied voltage volts	dc applied voltage volts	energy joules
V130PA10				10
20	130	184	170	20
V275PA10				10
20	275	389	360	20
40				40

average power dissipation watts	peak current amperes	characteristics varistor peak voltage at 1MA ac		thermal resistance hot spot to case $^\circ\text{C}/\text{watt}$
		min. volts	max. volts	
8	1200			6.8
15	2750	185	255	3.6
4	600			13.7
7	1200	390	523	7.8
13	2750			4.2

system. This brings us back to that small portion of the stroke current that will go to ground through whatever path it can find at the rig. It can follow two routes, and each requires attention if damage is to be prevented.

The first of these routes encompasses all direct grounding made at the rig. This grounding can include the shield of signal-carrying leads between different pieces of equipment, the third wire in ac line cords, and wires connected from the ground screws on various pieces of equipment to a main-station

**Single-point grounds.** The solution to this problem is single-point grounding of each piece of gear together with bonding between each item. Single-point grounding prevents ground current from flowing through a piece of equipment, while bonding prevents destructive voltage differentials from developing between different pieces of gear. The final ingredient necessary for this technique to be effective is a *good station ground*.

The station ground is second in importance only to the tower ground, and many of the techniques previ-

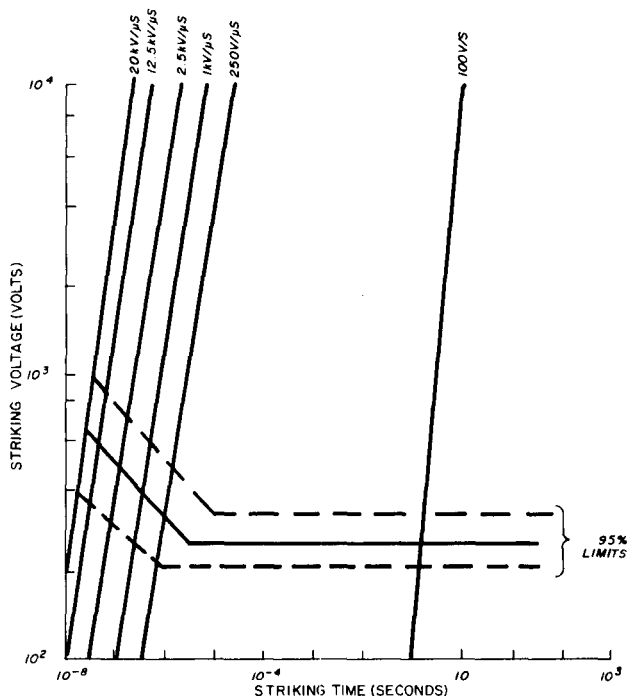
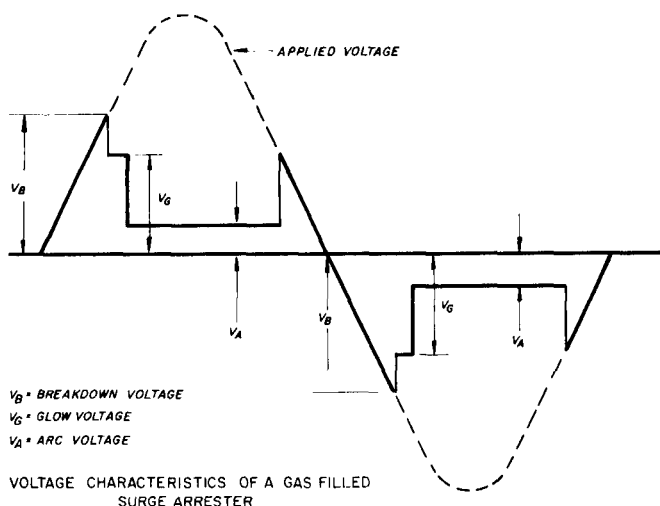
ously covered are applicable. The objective of the station ground is to provide a ground plane at uniform potential for the entire station.

**Commercial installations.** In commercial installations where an entire building is devoted to the equipment installation, the recommended procedure is to install a buried ground ring around the outside perimeter of the building. This ring is supplemented with ground rods or radials. A second ground bus is run around the inside perimeter of the building. The two ground rings are interconnected at no fewer than four points and at intervals of no more than 15 meters (50 feet). This system is also connected to the power-system ground, and any extensive masses of metal such as water pipes and heating ducts. Finally, the building ground system is connected to the tower ground system. This wire must not be run through a conduit, nor should it be routed near feedlines or other cables from the tower, as it may induce transients into them.

**Amateur installations.** For a typical amateur station in a home, a commercial-grade station ground would usually be impractical, since all the equipment is usually in one room and near to only a small portion of the building perimeter. The commercial procedures can be modified using common sense to fit the circumstances of any particular installation. The important thing to remember is that a single ground wire to the nearest water pipe is *not* adequate, and every extra bit of grounding adds something to the degree of protection obtained. Whatever modifications are made, the connections between the station ground, tower ground, power system ground, and the water pipes must not be eliminated.

**Interconnections and bonding.** Once a suitable station ground has been provided, the equipment must be properly connected to it. The shields of all coax feedlines should be connected to the station ground at the point where they enter the building. On each piece of equipment, a ground tiepoint should be selected. This point should be connected to the station ground and also to the ground tiepoint on physically adjacent pieces of equipment. These ground connections should be as short and straight as possible, using 2.6-mm (no. 10 AWG) or heavier copper wire.

It's particularly important on any piece of equipment where a coax feedline terminates from the tower that the point where the feedline connects be used as the ground tiepoint. The requirement for multiple connections of coax and other shielded wires to some pieces of equipment may make it impossible to eliminate secondary ground paths en-



maximum ratings	40,000A — 15 pulses of 8/20 waveform at 3-minute intervals 20A RMS ac or dc — for 1 second 10 times at 3-minute intervals
life	10,000 surges typical with 10/1000 waveform at 1000 amps
dc arc voltage	30 vdc, maximum
glow to arc transfer current	0.25 to 1.0 amp
operate delay time	500 nanosecond, maximum
insulation resistance	10 <sup>9</sup> ohms
capacitance	
end to end	1 picofarad
end to center	2.5 picofarads
dimensions	8 mm (5/16 in.) dia. × 44 mm (1-3/4 in.) long

fig. 7. Ratings for a T11-16 gas-filled surge arrester.

tirely, but careful grounding and bonding will make these secondary paths relatively unattractive to lightning current. The secondary ground path provided by these shielded cables can be made to look like an even higher impedance if the cables are made longer than necessary and the excess length is wound into a coil.

**Threewire ac cords.** The ground wire in three-wire ac line cords is fine for its intended purpose of preventing shocks resulting from power-line leakages, but it's detrimental as far as lightning protection is concerned. Not only is it neither short nor straight, but its proximity to the other wires in the power cord could couple unwanted surges into the equipment through the power line. When proper grounding and bonding techniques are applied, the ground wire in the three-wire power cord is a secondary ground and no longer needed for its original purpose. Therefore, it should be disconnected for optimum lightning protection.

**Dielectric breakdown.** The second route to ground at the rig is by dielectric breakdown to power or telephone lines. This is most likely to occur in installations where proper grounding and bonding practices have not been followed. But proper grounding and bonding practices do not completely eliminate the possibility of dielectric breakdown. This is because of the ever-present inductance in any ground wire, together with the fast rise time of the lightning pulse. As already noted, the chassis of all the equipment may rise momentarily to thousands of volts above ground when lightning strikes. The power-transformer primary in each piece of gear is connected to the ac power line, which is at a low impedance and always within a few hundred volts of ground. If the insulation between any of these primary windings and the transformer core, which presumably is chassis mounted, is insufficient to withstand this voltage, dielectric breakdown will occur and the transformer will be destroyed. The same thing can happen with the telephone lines, except that here the phone patch or telephone itself will be destroyed.

**Surge suppressors.** To prevent this sort of damage a form of bonding must be employed. Obviously the power and telephone lines can't be directly and permanently shorted to ground. Instead, some type of transient voltage surge suppressor must be used. This is a device that's normally an open circuit but which will momentarily break down and provide a low-impedance path across whatever it is connected to in case of a lightning strike. When the surge is over, the device opens the circuit again so that normal equipment operation is unimpaired.

Many types of transient voltage surge suppressors are on the market. They offer varying degrees of protection and range in price from a few cents to hundreds of dollars. There are two devices which, when used together, will provide a high degree of protection at relatively low cost. These are the zinc-oxide varistor and the gas-tube surge arrester. Each has certain advantages and certain limitations; this is why it's recommended that they be used together.<sup>8</sup>

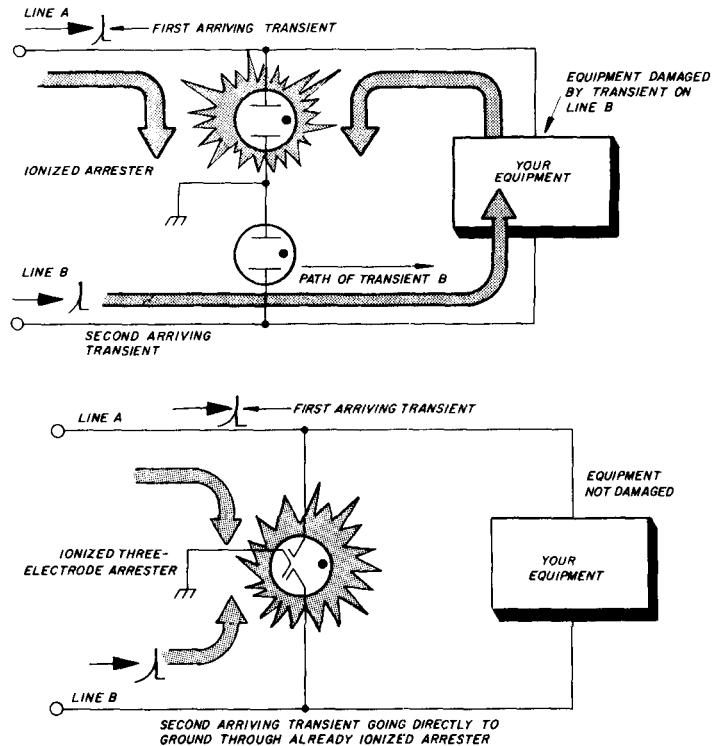


fig. 8. With two-electrode arresters (top), the first arrester to "see" the surge is ionized by that surge and provides an excellent path to ground. The second wire now uses the available ground, but, unfortunately, the path to ground goes right through the equipment to be protected. With three-electrode gas arresters (bottom), if either wire sees a surge, the arrester fires, ionizing the common gas chamber and instantly grounding both wires; there is no damaging potential difference across the equipment.

The zinc-oxide varistor is a device on the market for just a few years, but it has gained wide acceptance in the electronics industry as a transient suppressor. It's available from several manufacturers in a wide range of ratings. The MOV line from General Electric is typical of those available. These devices are designed to protect against transients on the ac power line from lightning and from inductive load switching. Its advantages are response time measured in nanoseconds and response to voltages only slightly above the normal operating voltage of the circuit. Disadvantages are limited maximum-current

capability and high "let-through" voltage under high-current conditions (fig. 6).

Gas-tube surge arrestors have a firing voltage that depends on the rise time of the transient waveform. Faster rise times result in higher firing voltages. For a lightning waveform having an 8-microsecond rise time, a gas tube can be expected to fire in about one microsecond (fig. 7). Once a gas tube has fired, the voltage drop across it is clamped to 30 volts. A gas tube can handle more peak transient current than a varistor, because the low voltage drop results in low power dissipation.

A gas tube will continue to conduct until the applied voltage drops below 30 volts. In an ac-power circuit, this means the tube will conduct for a full half cycle, 8.3 milliseconds at 60 Hz, even though the transient that caused it to fire may have lasted only a few microseconds. This may exceed the long-term power handling capability of the tube, and for this reason gas tubes should always be installed on the load side of the fuse or circuit breaker in a power circuit.

Gas-tube surge arrestors are available from TII Corp., Joslyn Electronic Systems, and others. For power-line applications, a three-electrode gas tube is used, with the end electrodes connected to the two sides of the ac supply and the center electrode connected to ground. If the potential between the grounded electrode and either supply electrode becomes sufficient to fire the tube, the entire tube ionizes and all three electrodes are effectively shorted together for the duration of the transient (fig. 8). The disadvantage of the gas tube is that it's slower to respond than the zinc-oxide varistor and requires a higher voltage relative to the normal voltage in the circuit before it will fire.

When both a zinc-oxide varistor and a gas-tube surge arrestor are used to protect a piece of equipment, the varistor will take care of short-duration, low-energy transients such as might result from a lightning strike on the power line at a considerable distance from your location. The gas tube will come into play when lightning strikes your tower or the close-by power line. If economic considerations dictate the use of only one of these two devices, the gas tube is the one that should be chosen.

Devices are available using gas tubes that can be inserted between an appliance and the power outlet. This may seem very convenient, but these devices should not be used. The reason is that they are designed to protect against transients coming in on the power line only. We are mainly concerned with protecting against a lightning strike on the antenna or tower. This requires locating the gas tube as close as possible to the power transformer of the equip-

ment to be protected to eliminate the inductance of the line cord from the ground path for the surge. Installation of a gas tube at this location will give maximum protection against a transient either from the power line or antenna. A set of these suppressors should be installed in each piece of equipment connected to the power line for which protection is desired (fig. 9).

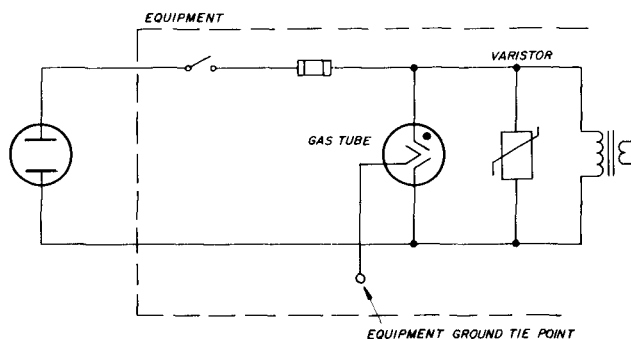


fig. 9. Use of both a gas tube and a varistor for maximum protection.

If your station includes a phone patch, a three-element gas tube should also be installed at the point where the telephone line connects to the patch.

## concluding remarks

Lightning protection may appear to be a very complicated subject. But the average amateur station can be well protected without an unreasonable investment of time or money. Remember first and foremost that all of these techniques are nothing more than a means of controlling the path that the lightning bolt will take in its unstoppable search for ground. Work out the required protection system for your individual station with this in mind.

## references\*

1. R. E. Addy, "Lightning Phenomena," *IMSA Signal Magazine*, January-February 1974, page 13.
2. M. A. Uman, *Lightning*, McGraw-Hill, 1969, page 48.
3. M. A. Uman, *Understanding Lightning*, Bek Technical Publications, 1971, page 152.
4. A. K. Guthrie, "Learning to Live with Lightning," *Communications*, May 1977, page 53.
5. J. L. Marshall, *Lightning Protection*, John Wiley & Sons, 1973, page 30.
6. David Bodle, "Electrical Protection Guide for Land-Based Radio Facilities," Joslyn Electronic Systems, page 17.
7. R. H. Golde, "Protection of Structures Against Lightning," *Proceedings IEE*, October 1968, page 1523.
8. "High Speed Protection by Three Electrode Arrestors," TII Corporation, Section 3.4.3.

\*A complete bibliography of material on lightning protection is available from *ham radio* and will be sent to interested readers upon receipt of a self-addressed, stamped envelope. Editor

# solar-powered repeater design

Why use  
antiquated methods  
to power your machine?  
Here's a strong case  
for using solar power —  
it's inexpensive  
and effective

In this article we provide the repeater-system designer with useful information about using solar power. The information is based on acceptable criteria for designing commercial solar-power systems and is supported by empirical data obtained in the actual operation of a repeater. The WR5ARO 19-79 solar-powered repeater is on Redondo Peak, New Mexico. It was built using the principles outlined below.

Solar systems to provide power for remote radio sites are not new. Recent advances in technology, and a national concern for conserving our energy resources, have brought recognition to solar power as a useful energy source. For remote sites, solar power is one of the few economically feasible power sources. As with other electronic devices, demand and popularity will reduce the price of solar-powered generators from its presently high level to one within the means of most amateurs. Based on projected technology, cost reductions of 50:1 are possible in the near future. This would put the price of a useful solar electric generator not far above the cost of a good, well-regulated bench-type power supply of equivalent capability. Solar power provides good mechanical reliability (no moving parts), good depen-

dability (with proper array sizing), and an attractive price (considering the alternatives). First, some background.

## photovoltaic cells

Silicon solar cells are P-N diodes whose photovoltaic characteristics (ability to produce electricity when exposed to light) have been optimized. Peak-current output occurs when the cell is exposed to direct, unrestricted sunlight that has an intensity of 100 mW per cm.<sup>2</sup>

The rated output current of a solar array is directly proportional to light intensity. Therefore, at 50 mW/cm<sup>2</sup> the array output current is 50 per cent of the peak rated current. The output current capability of a single solar cell is a function of the cell cross-sectional area. Solar-cell output voltage is independent of cell size. Output voltage is constant from 10 mW/cm<sup>2</sup> to 100 mW/cm<sup>2</sup>. The equivalent circuit to a solar cell is a constant-current generator with voltage limiting. A typical solar array I/V curve is shown in fig. 1.

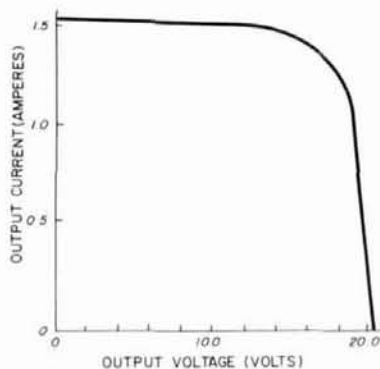
## array sizing

Solar cells are connected in series to provide the required voltage and are connected in parallel to provide the required current. Array specifications are given as a *peak* value. Since the manufacturer has no control over the amount of sunlight available, array specifications are relative to peak sunlight (100 mW/cm<sup>2</sup>). It's the responsibility of the system designer to derate the peak specifications to an average value specific for the site.

Most solar arrays come from the manufacturer with enough cells connected in series to be optimum for charging batteries. Consequently, the system designer need be concerned only with the peak current available and the derating necessary to provide some average charging current. The amount of de-

By Ted Handel, WB5REA, and Paul Beauchamp, WB5RSN, 241 Rio Bravo, Los Alamos, New Mexico 87544.

fig. 1. Typical I/V curve of nominal 12V solar array. The curve approximates that of a constant-current power supply with voltage limiting.



rating is a function of the solar-cell insolation at the site.

### solar insolation

A number of variables influence the amount of sunlight that strikes the Earth's surface. Among the most important are elevation, cloud cover, atmospheric water content, pollutant level, the sun's incident angle, and the solar-day length. All these factors affect the amount of available sunlight. The amount of sunlight striking the Earth's surface is called insolation. Solar insolation data is given in many different quantities, such as Langleys and kilojoules per square centimeter. The mentioned quantities are usually given for one year; thus the quantities are units of energy. Since solar electric generation is an integrating process, it's permissible to use the average yearly insolation figure to size the solar array. This is true if the average yearly discharge rate of the repeater is also used.

Solar insolation data for Redondo Peak, New Mexico, was found to be 750 kJ/cm<sup>2</sup> per year. This gives an average solar intensity of about 23 mW/cm<sup>2</sup>. The average current available at this site is, then, about 23 per cent of the peak current avail-

able from the solar array. Fig. 2 shows average solar intensities for the continental United States.

### storage devices

To make power available to the repeater during hours of darkness and foul weather, some type of storage device is used to hold energy collected during hours of daylight and good weather. A battery of some type is almost always used. The capacity of the battery must be large enough to carry the system



Co-author WB5RSN makes final angle adjustments to solar array that powers the 19-79 repeater on Redondo Peak, New Mexico (3433 meters, 11,254 feet). The array is mounted at 17 meters (55 feet) to prevent shading from nearby trees.

through extended periods of poor weather and through the shorter days of winter. Battery capacity is relatively independent of array size. Generally, storage capacity is about ten days. The battery is the true power source for the repeater. It should be selected with care.

High-capacity, lead-acid automotive batteries should be avoided. This type of battery is designed to provide large amounts of current for short periods of time. To accomplish this, the battery must have a low internal impedance. High leakage currents occur

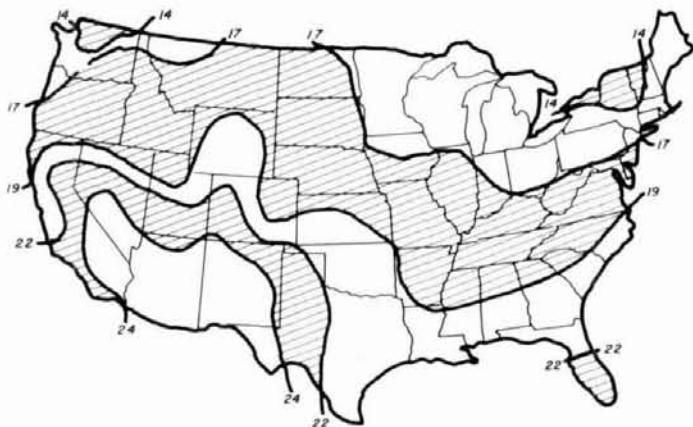
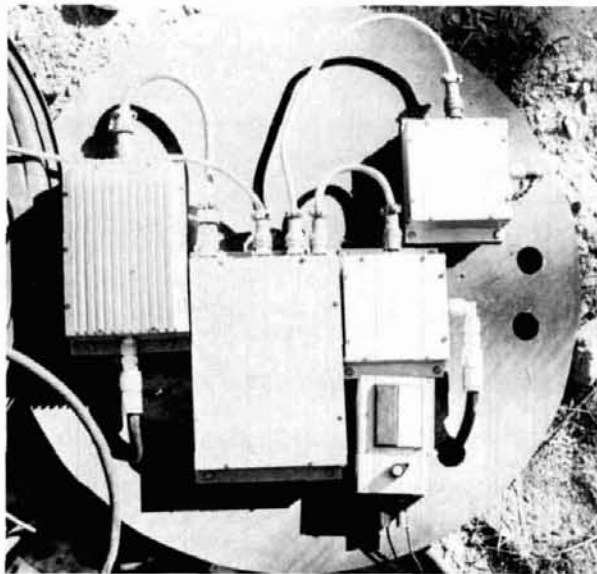


fig. 2. Map of the United States showing average solar intensity in mW/cm<sup>2</sup>. Year-to-year variations are less than 10 percent.

in this type of design. A good-quality, electronic-grade rechargeable battery would be a better choice. Lead-calcium and gelled-electrolyte batteries, as well as telephone-type "wet" cells, are also good choices. Nickel-cadmiums aren't recommended because of their tempermental characteristics. Remember that most of the vagaries of these cells were discovered in space satellite power systems where solar cells were used to charge them.

### voltage regulation

Solar generators normally provide more charging current than a fully charged battery can safely tolerate. To prevent damage to the battery, a voltage regulator is used to limit the charge voltage to a safe level. The circuit shown in **fig. 3** is a simple shunt-type regulator. The series diode prevents the array from discharging the battery during hours of darkness. The diode is also a reverse-bias switch that



**WR5ARO** repeater is installed in a sealable 55-gallon barrel. The buried enclosure permits temperature stability. Mountain-top temperatures range from  $-34^{\circ}\text{C}$  in the winter to  $38^{\circ}\text{C}$  in the summer.



**Redondo Peak** repeater installation. Solar array is mounted near the top of the tower to prevent shading. The repeater electronics are installed underground at the base of the tower.

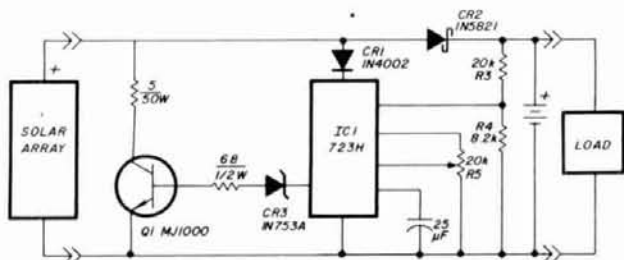
allows the shunt resistor to absorb the excess power generated. The regulator receives its power directly from the array and therefore does not draw power from the battery. Some battery current is used by the regulator for voltage sampling, but this current is very low.

One of the important characteristics of this type of regulator is its negative temperature characteristic. Simple zener regulators have a positive temperature coefficient, which causes the battery to overcharge in the summer and undercharge in the winter. The opposite characteristics are desirable. Failure modes have been arranged to cause an open circuit in the shunt element, thus permitting the array to charge the battery in the event of a regulator failure. Battery status can be monitored by occasional on-site check-ups or by telemetry.

### array orientation

Proper array orientation is required to provide maximum power output during the year. Peak output occurs when the sun's rays are at normal incidence to the array plane. To obtain maximum output, the array is oriented true south (north in the Southern Hemisphere) and inclined from horizontal to an angle approximately equal to the latitude at which the site is located. This angle is then increased a few degrees to optimize the array for the winter months when the days are shorter and the sun is at a lower angle. Solar intensity is constant at all times of the year, but the





- NOTES  
 1. RESISTANCE IN OHMS, K=1000, 1/2 WATT UNLESS SPECIFIED OTHERWISE.  
 2. R3, R4, ARE METAL FILM, R5 IS CERMET.  
 3. CAPACITANCE IN  $\mu$ F.  
 4. R5 IS SET FOR APPROXIMATELY 14VDC WITH LOAD AND BATTERY DISCONNECTED.  
 5. CR2 IS SPECIAL LOW FORWARD DROP DEVICE.

fig. 3. Voltage regulator protects the battery from overcharging. Diode CR2 prevents the battery from discharging through the array during hours of darkness (Courtesy Solar Power Corporation).

solar day is shorter in the winter; hence, the net accumulated energy is lower. Fortunately, the solar array generates more power at lower temperatures, thus offsetting some of the loss.

A tracking array could be designed to follow the sun, but the additional power generated would probably be consumed by the tracking system. Reduced reliability would also be introduced into the system because of the mechanical components. In short, tracking systems are not a good investment at this time.

### equipment selection

The cost of solar systems requires that detailed attention be given to operating power requirements and system power overhead. Ideally, the system would draw no power during standby and would convert all current consumed by the transmitter into rf power. Of course, this isn't possible; therefore, the system designer must minimize repeater standby current and maximize transmitter efficiency. Obviously, vacuum-tube equipment can't be used. Surprisingly, most available solid-state, base-station equipment isn't sufficiently efficient to be considered. Solid-state mobile or portable equipment is a good choice, because it lacks many of the frills found in base-station equipment. Pilot lamps and similar amenities should be powered down or disconnected. Logic circuits should draw a minimum of power. CMOS devices can operate at high-voltage levels with amazingly low current consumption. The WR5ARO identifier is built with CMOS and draws about 50  $\mu$ A. Likewise, the COR, control circuitry, supervisor, and timers all combined draw less than 1 mA.

Reasonable numbers to achieve in equipment design or selection are idle currents (total) of 5-20

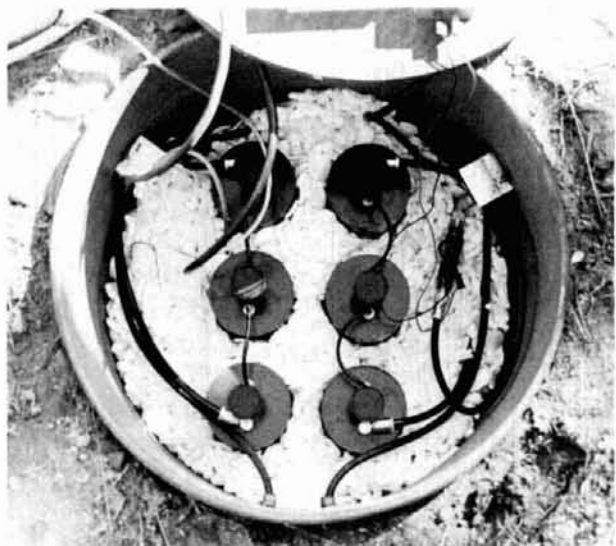
mA and transmitter efficiencies of 60 per cent. Under these circumstances, the size of the solar array will be a direct function of the transmitter output power.

If operation below 0°C is anticipated, extended temperature devices are required. It's wise to make sure that the circuitry will operate over the expected temperature extremes.

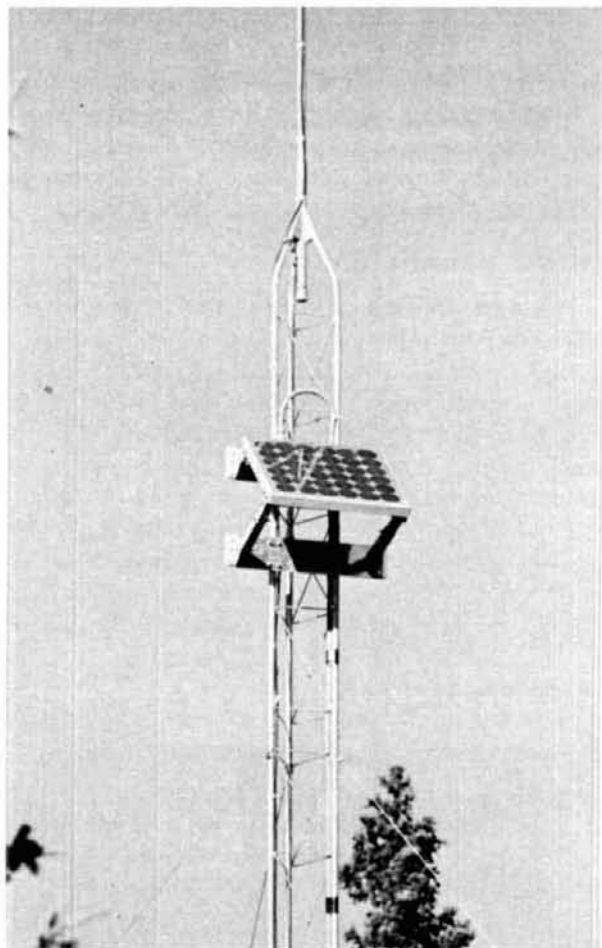
### critical parameters

The most difficult data to obtain in designing a solar-powered repeater is the time the repeater is actually on the air. The time that the repeater is used varies from location to location and is also determined, to a great extent by the number of other repeaters in the area. The transmit time and transmitter power output will directly determine the size of the solar array. A mistake made in this estimate could be very costly; over-estimation is expensive; under-estimation is embarrassing. The best estimate can be obtained by timing the repeater use. The data should be accumulated for as long a period as possible. Ideally the period measured should be one year; this measurement will average out the concentrated operating times, seasonal variations, and other factors.

If the repeater is to cover an area not presently covered by an existing repeater, an arbitrary decision should be made regarding the length of time the transmitter will be in use. When the repeater has been in service for a period of time, the amount of its use can be determined. The transmitter output power can then be adjusted upward or downward to



Duplexer cavities are mounted in a barrel. Styrofoam packing chips slow rapid thermal changes. Cavities are copper-plated steel to minimize any detuning due to thermal stresses.



Solar panel is oriented true south and is inclined about 40 degrees for horizontal. Latitude of the repeater is approximately 36 degrees north. An additional four degrees of inclination optimizes the array output during winter when the sun is lower in the sky and days are shorter.

match the time use to the solar array. WR5ARO was designed to handle one-half the local traffic load that's presently divided between four local, wide-coverage repeaters. At its present power output, the repeater can comfortably provide 35 hours of operation per week.

Battery capacity is an important consideration in system design. The capacity figure will determine how long the repeater will operate when the solar array is not charging, or when the repeater is being used at a current rate greater than can be supplied by the array. It's necessary for the solar array to supply more current than the repeater will consume. It's not necessary for the array to fully charge the battery each day. The system can tolerate some deficit as long as the battery is not damaged by freezing or any peculiarities typically inherent to the type of battery used.

## design procedure

Designing a solar power supply for a repeater isn't difficult. Remember that solar energy collection is a cumulative process. Its occurrence is very regular and very predictable. Year-to-year variations are less than 10 per cent. Repeater use must be averaged to fit the collection criteria. The battery capacity is selected to be adequate to equalize the short-term variations in repeater use and local weather phenomena, which are highly unpredictable. The steps necessary for design are as follows:

1. Determine solar insolation for the proposed site. Source data can be obtained from sources listed at the end of this article. **Fig. 2** may be consulted directly.

2. Determine continuous idle current, multiply by 24 hours to determine the daily idle current ampere-hours.

3. Determine the transmitter current; multiply it by the transmitter on time to determine the daily average transmitter ampere hours.

4. Average the repeater load over a 24-hour period. Then, divide the idle ampere-hours plus the transmit ampere-hours by 24. This is the average load current. This number must be less than the average charge current as supplied by the array.

5. Determine the peak-panel output. The average solar intensity should be found (**step 1**) and divided into the average daily load current. Remember that if the average intensity is 22 mW/cm<sup>2</sup>, then the average current available from a solar panel will be 22 per cent of the peak.

6. Calculate the "no-sun" storage requirement of the battery. Ten days of storage is an average number. Multiply the total ampere-hour load (**steps 2 and 3**) by ten to obtain the battery capacity.

Note that nothing has been said about battery-charging efficiency. Battery efficiency cancels, because the charging voltage is greater than the discharge voltage. The solar array provides the additional charging voltage required by design, with no sacrifice in performance. This assumption is valid if the internal leakage of the battery is not great (less than 3-5 per cent per month).

## conclusions

Solar power is useful in providing adequate power to operate a radio repeater if care is used in designing the system. The designer has a wide latitude of op-

tions available. Enough considerations have been given to demonstrate that gross overdesign of a solar-power generator is not necessary. Attention to details and careful consideration of all available options will produce an economical design.

The Redondo Peak repeater has been in full solar-power operation since June 18, 1977. There has been no down time. A system checkout on December 16, 1977, showed that the solar array was generating its rated power output and the battery was fully charged.

The cost of the solar generator, when averaged over its 20-year life, comes to about \$35 per year. This number compares quite favorably with the price charged to many mountain-top customers for similar power. As the price of solar power drops, so will the yearly cost for power generated by this means. In today's energy-cost spiral, solar power will become very attractive in the near future.

### bibliography

1. "Solar Electric Generator Systems, Principles of Operation and Design Concepts," Solar Power Corporation, 5 Executive Park Drive, North Billerica, Massachusetts 01862.
2. "The National Atlas," U. S. Government Printing Office.
3. "Annual Solar Radiation in kJ/cm<sup>2</sup>," map from Sensor Technology, Inc.

### appendix

#### WR5ARO Specifications

idle current (mA)	12.
transmit current (A)	1.07.
operation	available 24 hours (open repeater).
design average daily use	2.5 hours per day.
transmitter power output (W)	9.5.
effective radiated power (W)	35.
solar array source	Solar Power Corporation E-01-369-1.5 (1.5 A peak output).
battery source	Globe Union Gel Cel 40 A-h (2 each GC12200).
environmental characteristics	elevation 3.43 km (11,254 feet). temperature -34°C to 38°C (-30°F to 100°F). solar insolation 750 kJ/cm <sup>2</sup> /year. average solar intensity 23.7 mW/cm <sup>2</sup> . rainfall 46 cm (18 inches) per year. snowfall 91 cm (36 inches) per year.

#### Sample Calculations Using WR5ARO Data

- Step 1** Solar insolation data = 750 kJ/cm<sup>2</sup>/yr = 23.7 mW/cm<sup>2</sup>.
- Step 2** Continuous load = 0.012 A × 24 hrs = 0.288 A-h.
- Step 3** Intermittent load = 1.07 A × 2.5 hrs = 2.675 A-h.
- Step 4** Daily average load = 2.963 A-h/24 hrs = 0.123 A.
- Step 5** Peak panel output = 0.123 A + 10 per cent/(23.7 mW/cm<sup>2</sup>/100) = 0.570 A peak.
- Step 6** Storage Capacity = 2.963 A-h × 10 days = 29.63 A-h battery. (Add some additional capacity to prevent freezing in the winter).

ham radio

# Clegg is



QTR-24



FT-901



FT-301

# Yaesu Headquarters

Dozens of Distributors offer you a selection of YAESU products. Some might even quote you a slightly lower price. But—no one can serve you better than Clegg when you choose any item from YAESU's extensive product line. Because:

1. We have YAESU products in stock.
2. We know YAESU products inside and out.
3. We service all YAESU products.

If you are considering upgrading your station with a new YAESU FT901—or an FT-225RD—or an FT301—or merely a YAESU clock—call us TOLL FREE today.

YAESU and Clegg guarantee your satisfaction with the product and with the service.

**To expedite our service to you, we have departmentalized our telephone system! Call Clegg for YAESU or any other requirement for your station.**

#### ORDERS AND QUOTES:

TOLL FREE 1-800-233-0250

#### SERVICE DEPARTMENT:

TOLL FREE 1-800-233-0337

ENGINEERING, PURCHASING,  
ADMINISTRATION AND ACCOUNTING:  
1-717-299-7221

**Clegg** Communications Corp

1911 Old Homestead Lane  
Greenfield Industrial Park East  
Lancaster, PA 17601

# universal digital readout

A universal digital readout system featuring reduced ambiguity, high input frequency, and low power consumption

**This article describes** a relatively simple design for a digital dial that evolved over several years of building and improving. For easy home duplication, it uses a minimum number of specially selected components. It is adaptable to virtually all types of shortwave equipment. Options are also described for low-power operation and reduced last-digit flicker.

The counter is connected to the vfo of the equipment and preset to the i-f, or the complement of the i-f. It is wired to count up or down depending on the internal frequency scheme of the equipment. It is even possible, without knowing these parameters, to set up the counter using only one calibration point and check whether the frequency indication moves in the right direction.

This counter has a 35-MHz capability, and thus covers the entire conventional shortwave range (3 to 30 MHz). It is therefore possible to measure the frequency that is generated by the premixing scheme in Drake equipment.

## counter components

**counter and readout.** The basic four-digit counter consists of four low-power Schottky BCD counters, the 74LS190 (see fig. 1). The BCD outputs of the counters are connected to special LED readouts which contain an internal latch/decoder. The readouts, HP-type 7300, are somewhat expensive. However, for the home brewer they immensely simplify construction.

As mentioned, the counter reads only the four most significant digits, since the MHz digits have always been read from the band switch in the past. Plus, the complexity of added digits might make the

job more than the average ham would want for a home project. The motto here is keep it simple.

**time base.** The time base is a very simple circuit. It consists of a single IC (CD4060) and a crystal, a trimmer capacitor, and a resistor. The IC contains the necessary amplifiers for a crystal oscillator and 14 divide-by-2 stages. At the output of the last stage, labeled Q<sub>14</sub>, the oscillator frequency has been divided by a factor of 2<sup>14</sup>. Starting with a 409.6-kHz crystal, the final output is a 25-Hz squarewave. This output, plus the 50-Hz squarewave from Q<sub>13</sub>, are used to generate the necessary counter timing pulses.

**counter timing.** Operation of a counter generally requires various timing pulses to control the counter. In a conventional counter, the count gate provides a precisely timed interval which allows the number of counts admitted to be equal to the frequency of the signal. Since frequency is measured in terms of events per second, this gate is always a fraction of a second. Or, in this case, where we want to read to hundreds of Hz, the gate is exactly 0.01 second long. Other pulses are required for presetting the counter to a fixed starting number (frequency) and for transferring the final count to the readouts.

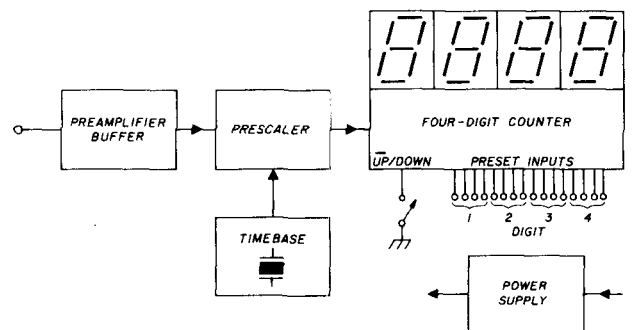


fig. 1. Simplified block diagram of the universal digital readout.

The count gate, the display, and the preset pulse are all derived from the two squarewaves provided by the time base (see fig. 2). The first two gates connected to the CD4060 buffer the CMOS outputs of the time base.

**preamplifier.** A preamplifier, though not always necessary, is a good idea. It not only increases sensi-

By Gerd Schrick, WB8IFM, 4741 Harlou Drive, Dayton, Ohio 45432

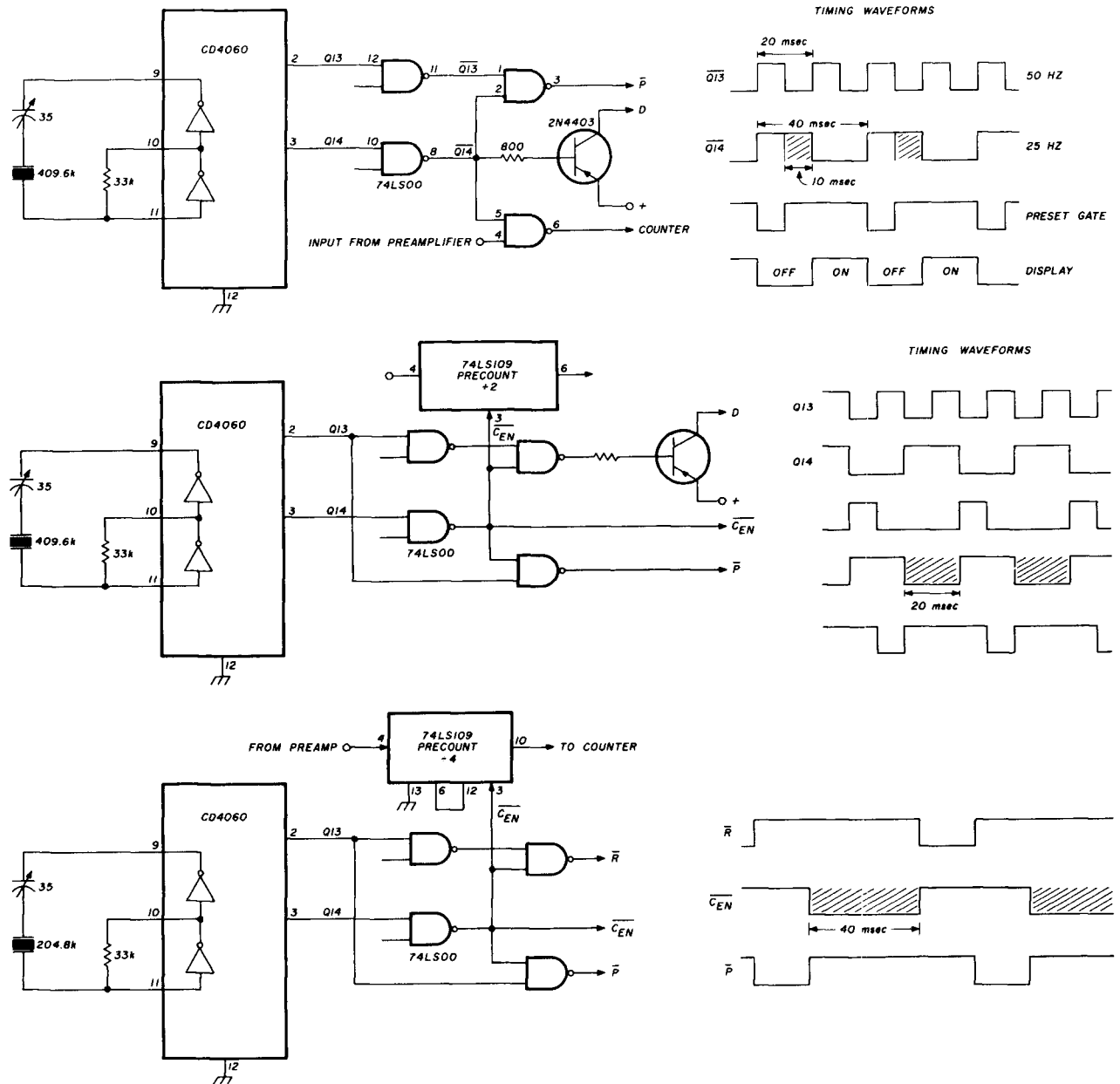


fig. 2. Schematic diagram of the three different timebase versions. In A, the count gate is actually enabled for 20 mS, but since the counters are held in the preset state for the first 10 mS, the time that the counters are allowed to be clocked is 10 mS. The low-power version, B, runs the display at a 25 per cent duty cycle. For the low-ambiguity version, C, the crystal is changed to 204.8 kHz, effectively quadrupling the count gate to 40 mS.

tivity but also acts as a buffer, reducing possible spurious responses in the receiver generated by the timing pulses. A single transistor, as shown in **fig. 3**, is used in common-emitter configuration. The sensitivity is better than 50 mV RMS from 100 kHz to 30 MHz. The maximum voltage is about 1 volt RMS.

**power supply.** The digital dial, using mainly TTL-devices, requires a 5-volt dc power source. The current, depending on the desired version, will range from 170 mA for battery-powered equipment to 500 mA for the low-ambiguity 100 per cent display version.

### last digit ambiguity

The problem last-digit ambiguity arises from the fact that the count gate, as generated from the crystal oscillator, is not synchronized to the incoming frequency. The gate will sometimes accept an additional count, changing the digit, for example, from a 5 to a 6. This is the well-publicized  $\pm 1$  digit ambiguity that digital counters exhibit. One way of overcoming this ambiguity is to increase the number of digits counted, yet only display a limited number. This, in effect, is the same as simply covering the blinking digit.

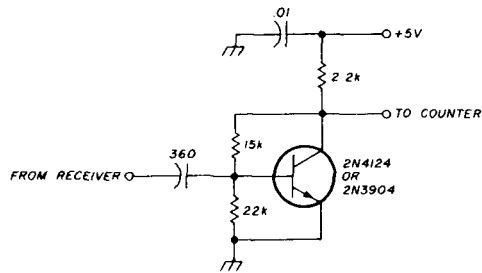


fig. 3. Schematic diagram of a simple buffer/preamplifier which can be used between the counter and the receiver. Sensitivity is better than 50 mV RMS.

The conventional counter can achieve the additional counts only by lengthening the gate; if we consider another decade, the count gate would be 0.1 second, reducing the counter's final update rate to only 6-8 Hz. It is still possible, using the memory capability of the readout, to obtain a blink free and *almost* instantaneous update when turning the dial of the VFO.

However, it is not actually necessary to add a complete decade to the counter; any integer will do. How then is the ambiguity affected by the addition of the new counter? In reality, it never goes away. What does happen is that the probability that the  $\pm 1$  ambiguity will occur is reduced by the reciprocal of the additional factor. For example, if you add a divide-by-two, the probability will be reduced by 1/2, or 50 per cent; for a divide-by-four it will be 1/4, or 25 per cent. However, for this reduced probability, there is a price that must be paid. The count gate will have to be *lengthened* by the same factor.

## programming

To program the counters, the individual load lines,

labeled  $D_A, D_B, D_C, D_D$  in fig. 4, are connected according to the required BCD code. To program a 5 into a particular counter, ground the data lines for  $D_B$  and  $D_D$ . The other data lines may remain open or connected to +5 volts.

A simple scheme using a single-pole, double-throw switch, as shown in fig. 5, can be used to preset the counter to two different starting frequencies. For more than two positions, a multiple-deck switch would be required.

## counter options

**standard version.** This is the simplest form of the digital dial, with no precounting to reduce ambiguity. The time base generates a 0.01-second gate, giving a readout to the nearest 100 Hz. The display is updated at the rate of 25 Hz, with a display duty cycle of 50 per cent. Power requirements are 5 volts at 300 mA.

**low-power version.** In this version the time base output is slowed to 0.02 second, permitting the addition of a single divide-by-two counter which reduces the last digit flicker to 50 per cent. The display duty cycle is also reduced, to 25 per cent, giving a somewhat dimmer, but still quite visible, display. The update rate is still 25 times per second. Power consumption is under 1 watt (170 mA at 5 volts).

**low-ambiguity version.** For a little added complexity, this version is the most useful for fixed-station use. The time base is further slowed to 0.04 second by substituting a 204.8-kHz crystal for the 409.6 crystal. With this change, a divide-by-four prescaler, which reduces the last digit ambiguity to 25 per cent, can be used.

Since the update rate is now only 12.5 Hz, an intolerable flicker would occur if the display were switched at that rate. To eliminate the flicker, the latch in the

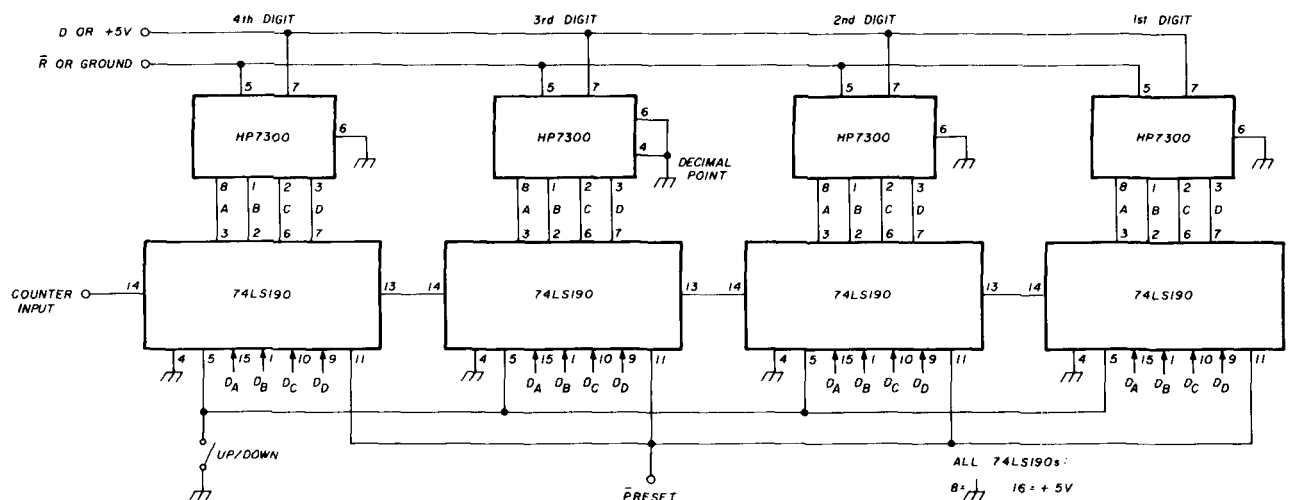


fig. 4. Schematic diagram of the four 74LS190 counters and the HP-7300 LEDs. The  $\bar{R}$  line, connected to pin 5 of the 7300s, is used to strobe the latches when used in the low-ambiguity version. Pin 5 of the counters is taken low for up counting, and can be left open to count down.

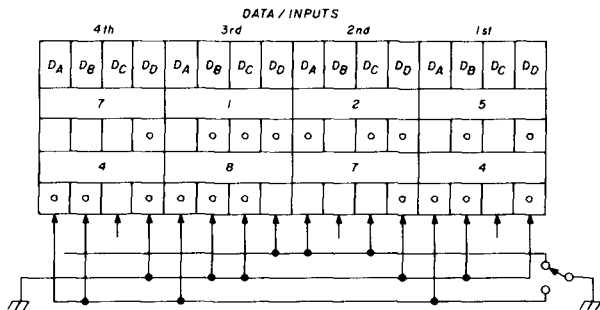


fig. 5. Example of using a single-pole double-throw switch to select different preset programming. Those lines that are always high are left open, while those that are always low are held low. The switch changes the level into the inputs depending upon the preset value.

7300s is also strobed, giving a 100 per cent display cycle. Even with the bright display power consumption is quite reasonable, 500 mA at 5 volts.

### checkout and calibration

With an adequate power supply connected to the counter, checkout and calibration can be completed in a few simple steps:

1. Program the preset inputs according to the required BCD input. For a quick check, the number 7 can be programmed into the counter by grounding all pin 9s.
2. Apply a stable rf signal to the input of the preamplifier. The counter should count either up or down, depending upon the input to the control pin.
3. Next, apply a signal of known frequency (crystal calibrator, for instance). Check the displayed frequency against the input, the preset, and whether the counter was programmed to count up or down.

#### parts list

- 4 ea 74LS190
- 4 ea HP 7300 Numerical Indicators
- 1 ea CD 4060A
- 4 ea Resistors 2.2k, 15k, 22k, 33k, 1/4 W
- 5 ea Ceramic Cap 2x. 1, 800p, 360p, 50p 50V
- 1 ea Trimmer Cap 35p
- 1 ea Rectifier Diode 1A, 50V PIV
- 1 ea LM 309 K IC
- 1 ea Electrolytic Cap 250  $\mu$ F 15V
- div. HW, sockets, chassis, etc.

#### Plus:

- Standard Version**
- 409.6 kHz crystal
- PNP trans.
- 820 $\Omega$  Res.

- Low-Current Version**
- 409.6 kHz crystal
- PNP trans.
- 74LS109 IC
- 820 $\Omega$  Res.

- Low-Ambiguity Version**
- 204.8 kHz crystal
- 74LS109 IC

If all readings are correct, the counter can then be permanently connected to the receiver.

### bibliography

Gerd, Schrick, WB8IFM, "Digital Readout Variable-Frequency Oscillator," *ham radio*, January 1973, page 14.

ham radio

# SF

## S-f Amateur Radio Services

(213) 837-4870

4384 KEYSTONE AVE., CULVER CITY, CA. 90230

### the W6TOG\*

#### RECEIVER MODIFICATION KITS

INCREASE SELECTIVITY • IMPROVE SENSITIVITY  
LOWER INTERNAL NOISE

IMPROVE NOISE BLANKER OPERATION

COMBAT BLOCKING FROM LOCAL SIGNALS

- |                       |         |                       |         |
|-----------------------|---------|-----------------------|---------|
| TS-520 KIT .....      | \$27.50 | FT-101 SERIES KIT ... | \$32.50 |
| TS-520S KIT .....     | 32.50   | FR-101 SERIES KIT ... | 34.50   |
| TS-820 & 820S KIT ... | 34.50   | FT-301 SERIES KIT ... | 34.50   |
| R-599 A/D KIT .....   | 27.50   | FT-901 SERIES KIT ... | 34.50   |

EXPLICIT INSTRUCTIONS MAKE MODIFICATION A CINCH

IT'S MAGIC...

### IT'S "MAGICOM"

#### PROCESSOR MODIFICATION KIT

IMPROVES AUDIO PUNCH

IMPROVES PROCESSED SPEECH QUALITY

Converts TS-820 / 820S speech processor from RF compressor to RF clipper \$27.50

RF speech processor for TS-520 / 520S \$42.50

The "MAGICOM" RF processor module provides up to 6dB increase in output with smooth, clean, non-distorted audio and more penetration for those pile-ups.

ENDORSED BY W6TOG AND BIG GUN DXers WORLD WIDE

### the W6TOG\*

#### INTERNAL ELECTRONIC KEYS

FOR ALL AMATEUR TRANSMITTERS OR TRANSCEIVERS USING GRID BLOCK KEYING

- No holes mounting with TS-820 Series
- Mounting options for TS-520, TS-520S, FT-101 Series, TR4 Series, T4X Series, T-599 Series and 32S Series.
- C-MOS DESIGN — Dot and dash memory — full iambic or manual operation.
- Simple installation \$49.50

### THE S-F REJEKTOR FILTER

AN INTEGRATED CIRCUIT ACTIVE BANDPASS FILTER FOR PROCESSED RECEIVER AUDIO

- Separate active filter elements for CW and SSB audio output stage
- 8 ohm input and output impedance
- Headphone jack for convenience
- ON CW: from 500 hz to 100 hz, variable
- ON SSB: 2 KHz fixed bandwidth
- Rejects unwanted signal better than 60 dB
- Designed for today's transceivers or yesterday's older equipment \$49.50

\*WELL KNOWN DXer WITH OVER 300 COUNTRIES CONFIRMED.

All prices postpaid - in Calif. add 6% sales tax - Mastercharge & Visa accepted  
SATISFACTION GUARANTEED OR MONEY REFUNDED

# the Oscar Calcu-puter

If you are adventuresome enough to attempt automatic antenna tracking of Oscar, but don't have the necessary bucks to tie into a computer, this article should be just what you need. Even if mathematics isn't your strong suit, don't get discouraged, read on. The formulas for tracking Oscar are not that tough, especially if you apply one of the inexpensive hand calculators. Unfortunately, the main disadvantage of the hand-calculator method is the need to constantly manipulate the buttons, even for information for the Oscar pass. This article will explain my method of solving this problem — automating a small hand-held calculator. I'll even explain a few ideas for making a complete steering system. That way all you have to do is enter the equator crossing longitude, punch a button when Oscar crosses the equator, and from there on it's automated all the way.

## program explanation

The terms I've used in the program (see **fig. 1**) have been summarized in **table 1**. In addition, I've assigned line numbers to each program step to make it easier to follow. Actually, the program is divided into six separate parts, each part solving one of the following equations:<sup>1</sup>

$$\text{Lat}(T) = \sin^{-1}[0.9790 \cdot \sin(3.1319T)] \quad (1)$$

$$\text{Long}(T) = \cos^{-1}\{\cos(3.1319T)/\cos[\text{Lat}(T)]\} + 0.25T + \text{Lo} \quad (2)$$

$$D = \cos^{-1}(\sin A \sin B + \cos A \cos B \cos L) \quad (3)$$

$$\text{Az} = \cos^{-1}[(\sin B - \sin A \cos D)/\cos A \sin D] \quad (4)$$

$$\text{El} = 90 - \tan^{-1}[4867 \sin D / (4867 \cos D - 3957)] \quad (5)$$

$$M = (4867 \cos D - 3957) / \cos(90 - \text{El}) \quad (6)$$

Steps 004 through 030 solve eq. 1, 031 to 058 eq.

2, 059 to 108 eq. 3, 109 to 148 eq. 4, 149 to 191 eq. 5, and steps 192 to 203 for eq. 6. Each step is actually a single key-stroke on the calculator. There are several steps that should be briefly explained. This might eliminate program questions as you follow the equations through the program.

Step 000 represents the unit being turned on. In addition, other circuitry resets the external logic back to a common starting point. The one-shot multivibrator which performs the reset function also enables the clock gate. Anytime the clock gate is enabled, the sequencer is allowed to advance to the next program step. If the gate is disabled, the program will stop on that particular step. This is an important feature, as I'll explain later on.

Steps 001 through 003 merely clear the calculator of any previous computations or stored answers. The next two steps shift the calculator into four decimal place readout. The calculations are actually done to the limit of the ICs involved, and the answers rounded. For all program steps you'll notice a listing for type of entry. This notation is explained in **table 2**.

Program steps 013 and 014 cause the time since the satellite crossed the equator to be entered into the calculator. This is entered as even minutes and results in a readout for antenna azimuth, elevation, and distance to the satellite for each minute of the pass. In theory, at least, if you provide the correct initial data and accurately enter the time, the calculator could provide information for tracking for the next pass, or even several later passes. This is limited only by the accuracy of the entries you make, and could easily be updated.

The last unusual steps are 038 and 039. In some calculations it is easier to find a denominator before

By Dave Brown, W9CGI, Route 5, Box 39, Noblesville, Indiana 46060



fig. 1. Program solved by the Calcu-puter. When broken into parts, this program will solve the six equations necessary to track Oscar.

Type of Entry	Program Step	Key	Type of Entry	Program Step	Key	Type of Entry	Program Step	Key	Type of Entry	Program Step	Key
*	000		S	051	EQX 1	M	102	+	Me	154	STO
K	001	DPS	C	052	DP	Me	103	STO	Me	155	7
M	002	CLR	S	053	EQX .1	Me	104	2	Me	156	RCL
M	003	CLX	S	054	EQX .01	T	105	INV	Me	157	2
D	004	DPS	M	055	+	T	106	COS	M	158	X
D	005	4	Me	056	STO	Me	107	STO	Co	159	3
Co	006	3	Me	057	5	Me	108	3	Co	160	9
C	007	DP	M	058	CLX	Me	109	RCL	Co	161	5
Co	008	1	Cq	059	LAT 10	Me	110	7	Co	162	7
Co	009	3	Cq	060	LAT 1	M	111	ENT	M	163	-
Co	010	1	C	061	DP	Me	112	RCL	Me	164	STO
Co	011	9	Cq	062	LAT .1	Me	113	2	Me	165	8
M	012	ENT	Cq	063	LAT .01	M	114	X	Me	166	RCL
Ti	013	T <sub>tens</sub>	Me	064	STO	Me	115	STO	Me	167	7
Ti	014	T <sub>ones</sub>	Me	065	6	Me	116	5	M	168	ENT
Me	015	STO	T	066	SIN	Me	117	RCL	Me	169	RCL
Me	016	1	Me	067	STO	Me	118	8	Me	170	6
M	017	X	Me	068	7	M	119	ENT	M	171	X
Me	018	STO	Me	069	RCL	Me	120	RCL	M	172	:
Me	019	2	Me	070	3	Me	121	5	T	173	INV
T	020	SIN	T	071	SIN	M	122	-	T	174	TAN
C	021	DP	Me	072	STO	Me	123	STO	Me	175	STO
Co	022	9	Me	073	8	Me	124	5	Me	176	9
Co	023	7	M	074	X	M	125	CLX	Co	177	9
Co	024	9	Me	075	STO	Me	126	RCL	Co	178	0
Co	025	0	Me	076	9	Me	127	1	M	179	ENT
M	026	X	M	077	CLX	M	128	ENT	Me	180	RCL
T	027	INV	Me	078	RCL	Me	129	RCL	Me	181	9
T	028	SIN	Me	079	6	Me	130	3	M	182	-
Me	029	STO	T	080	COS	T	131	SIN	Me	183	STO
Me	030	3	Me	081	STO	Me	132	STO	Me	184	1
T	031	COS	Me	082	J	Me	133	6	D	185	DPS
Me	032	STO	M	083	ENT	M	134	X	D	186	0
Me	033	4	Me	084	RCL	Me	135	RCL	R	187	GoSUB2
Me	034	RCL	Me	085	4	Me	136	5	D	188	DPS
Me	035	2	M	086	ENT	M	137	÷	D	189	4
T	036	COS	Cq	087	LONG 100	K	138	DPS	Me	190	STO
M	037	:	Cq	088	LONG 10	K	139	1/X	Me	191	6
K	038	DPS	Cq	089	LONG 1	T	140	INV	Me	192	RCL
K	039	1/X	C	090	DP	T	141	COS	Me	193	8
T	040	INV	Cq	091	LONG .1	D	142	DPS	M	194	ENT
T	041	COS	Cq	092	LONG .01	D	143	0	Me	195	RCL
C	042	DP	M	093	ENT	R	144	GoSUB1	Me	196	1
Co	043	2	Me	094	RCL	D	145	DPS	T	197	COS
Co	044	5	Me	095	5	D	146	4	M	198	÷
Me	045	RCL	M	096	-	Me	147	STO	D	199	DPS
Me	046	1	T	097	COS	Me	148	4	D	200	0
M	047	X	M	098	X	M	149	CLX	R	201	GoSUB3
M	048	+	M	099	X	Co	150	4	Me	202	STO
S	049	EQX 100	Me	100	RCL	Co	151	8	Me	203	5
S	050	EQX 10	Me	101	9	Co	152	6	**	204	STOP
						Co	153	7	**	205	END

its associated numerator. This leads to dividing the denominator ( $d$ ) by the numerator ( $n$ ), or  $d/n$ . To get the correct answer ( $n/d$  vs  $d/n$ ), the reciprocal key ( $1/X$ ) is used after the division answer has been obtained. On my calculator, I have to use the DPS key to access the  $1/X$  function. This accounts for the use of two steps.

### circuit description

The heart of the automating device is a 1702A EPROM (see fig. 2). The program, from fig. 1, is entered into the PROM such that the outputs, when decoded, will electrically press the appropriate keys on the calculator. For general use, a RAM would be more appropriate, but I wanted to solve one specific problem: the equations necessary to track Oscar.

The 1702A PROM has 256 distinct address locations, enough to handle the 205-step program. Each step of the program represents a sequential binary

address in the PROM. As seen in the schematic diagram, 74193, 4-bit binary counters are used to sequentially address the 1702A. I decided to use the

table 1. Definition of terms used in the Calcu-puter program.

(T)	Time in minutes since EQX
Lat(T)	Satellite sub-point Latitude in degrees at (T)
EQX	Satellite equator crossing reference
Long(T)	Satellite sub-point Longitude in degrees at (T)
Lo	Satellite sub-point Longitude in degrees at EQX
D	Great Circle distance Stn to Sat in degrees
Stn	Station location (your QTH)
Sat	Satellite location
A	Latitude of Stn in degrees
B	Lat(T)
Ls	Longitude of Stn (QTH) in degrees
L	Ls - Long(T)
Az	Azimuth bearing for antennas (from true North)
E or El	Elevation bearing for antennas (from horizon upward)
M	Distance in statute miles from Stn to Sat (true position)

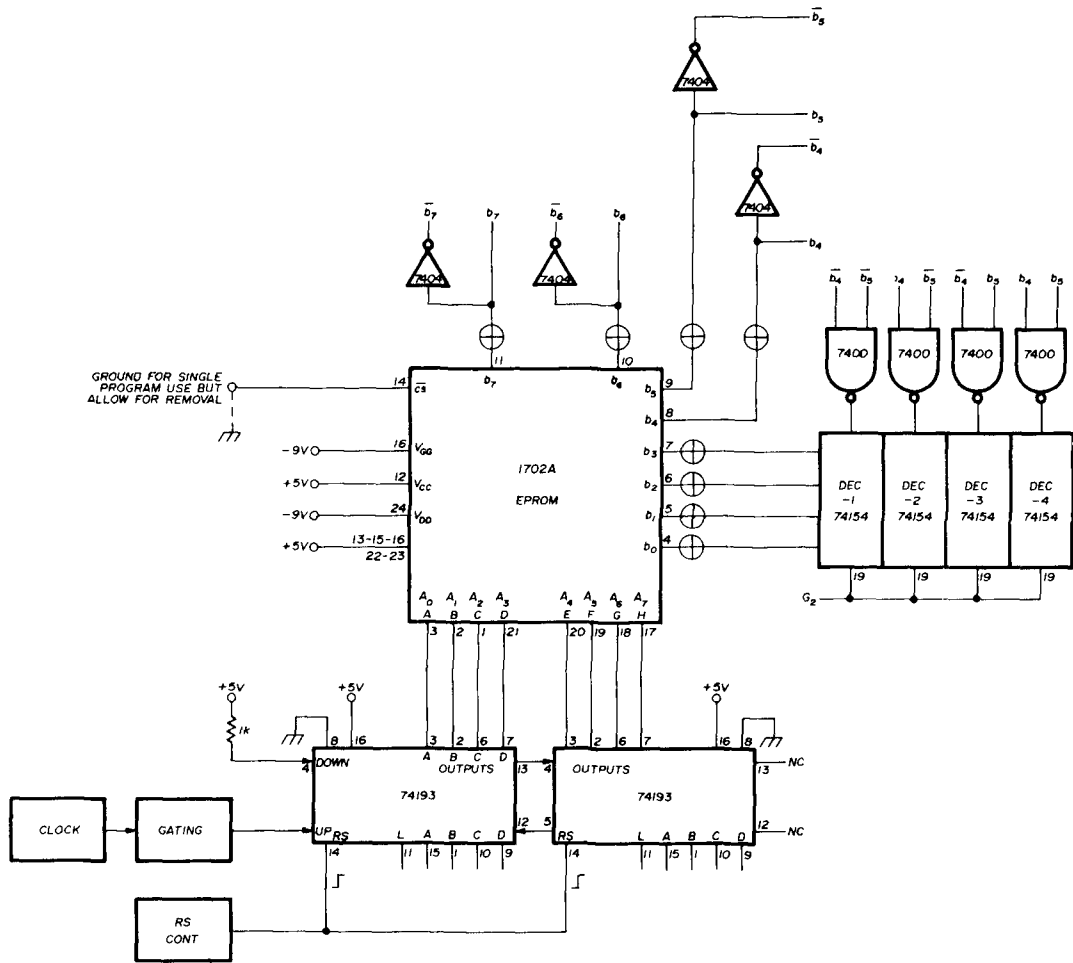
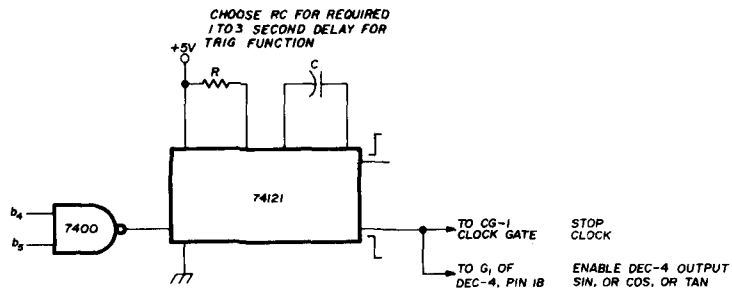


fig. 2. Schematic diagram of the input and output logic connected to the 1702A EPROM. The preset inputs for the 74193s are normally connected to V<sub>CC</sub> through 1000-ohm resistors. The clock and gating connect to the input of the first 74193 as shown in fig. 3. If required, buffers can be inserted between

the outputs of the PROM and any external devices. The actual pin numbers on the inverters and NAND gates have not been shown to allow flexibility in other systems. To incorporate the trigonometric delay feature, a 74121 is inserted between the decoder and the 7430 NAND gate.



74193 instead of the 7493, taking advantage of the preset capability. This means that the program can be started at any spot by simply entering the correct starting address into the data inputs and momentarily taking load line low. If this capability is not desired, the 7493 could be used.

Eight output lines are available on the 1702A. For direct calculator control, I've only used six of the available outputs. The first four outputs, b<sub>0</sub> to b<sub>3</sub>, are

used as normal addresses for 74154 one-of-sixteen decoders. The outputs are simultaneously applied to all four decoders. The b<sub>4</sub> and b<sub>5</sub> outputs from the 1702A are also decoded and used to select the appropriate 75154.

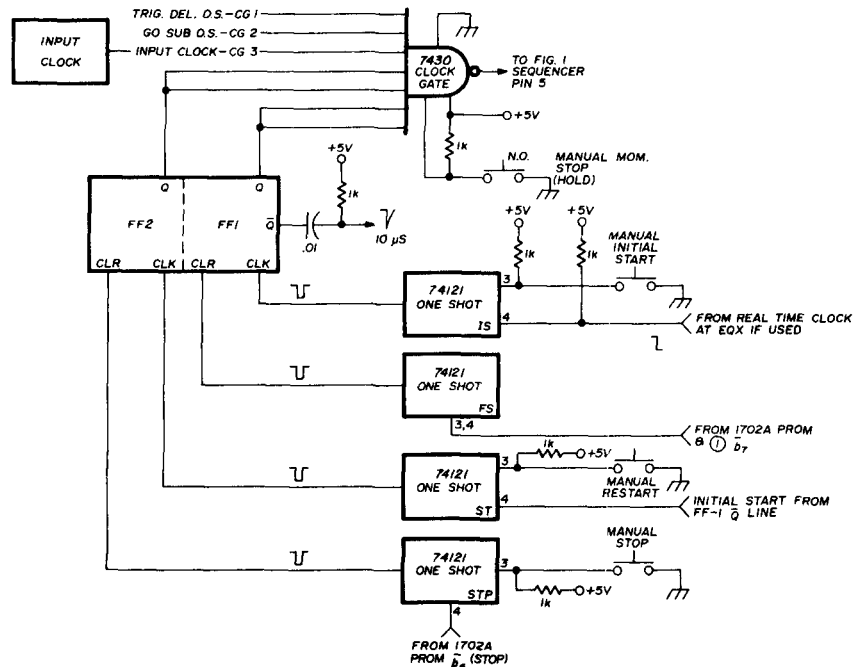
The final two outputs, b<sub>6</sub> and b<sub>7</sub>, are used as a program stop and program halt. When step 204 is addressed, the output from the PROM will be 01000000. The high level from the b<sub>6</sub> output is detected and

used to stop the program until a new "minutes" time is entered. This is one of the different means of disabling the clock gate. Output  $b_7$  is programmed in a like manner to provide a high output at step 205. This output will stop the program, regardless of the minutes timer.

equator, the first flip-flop is set, which in turn sets the second flip-flop. Having both set will enable the clock gate.

I have tried to divide the decoders into a logical order, with DEC1 using the binary codes for number 0 through 9, to directly decode the number informa-

fig. 3. Schematic diagram of the clock gating logic. The actual input clock frequency will depend upon the speed at which your calculator can do the computations. For initial testing, it could be as slow as 1 pulse per second.



Two flip-flops are used for clock gating. As seen in fig. 3, the one-shot multivibrators receive the various start and stop commands. The pulses are then used to trigger the flip-flop into the desired states. In addition, provisions have been made to interface a real-time clock to signify the equator crossing. When you initiate the start command as Oscar crosses the

tion. The keys for the four basic math functions are also included in DEC1. As seen in fig. 4, outputs from the decoders are used to drive open-collector buffers. The buffers then drive the reed relays which are connected across the calculator keys. It is imperative that the relays have a very high resistance across the open contacts, and also a very low closed-contact resistance.

table 2. Type of entry notation used in the program.

*	Power on, reset timer (T) and program sequencer to 000, and all readouts to zero
M	Machine function — CLX, ENT, +, — etc.
D	Change of decimal point location
Co	Constants defined by Oscar and put into PROM
Cq	Constants defined by your QTH and put into only your PROM
Ti	Entry from timer output
Me	Storage or Recall function to/from memory and number
T	Trigonometric function (and added delay trigger)
K	Keyboard shift function (SHIFT that is not DPS)
S	EQX Longitude entry by switches
C	Constant (decimal point entry)
R	Readout Sub-routine function (external to calculator)
**	Operational system command (Stop, End)
STOP	Halts calculator until next timer period enters
END	Detects maximum period of pass elapsed — full stop

A complete listing of the respective decoder addresses is given in table 3. Note that the first address in DEC1 does not have an associated function. This is to prevent a problem when the step 204 and step 205 commands are initiated. If the address were used, you would have a simultaneous key closure in addition to either a stop or halt command.

You'll notice that the only functions in DEC4 are the trig functions. This was done for a very specific reason. In most calculators, depending upon the IC set used, a trigonometric operation will take longer to perform than a basic math function. This was also true in the calculator I used. To overcome the problem, I needed some method of momentarily stopping the program until the calculator had completed the trig operation. Otherwise, the program might have

advanced several steps without correct data from the trig operation. By placing these operations in DEC4, detecting any 0011xxxx number will automatically indicate that a trig function is present. After the function has been detected, a one-shot disables the clock gate long enough for the calculator to do the computation.

Instead of using this program-delay technique, the time between steps could be made long enough to allow for a trigonometric operation, but this will considerably slow down the time necessary to perform all the calculations. Using the one-shot requires a few more parts, but the tradeoff is worthwhile, considering the time saved.

The GoSub routines, listed in DEC3, are used to output the data from the calculator to external readouts and other external processing. Gating for the GoSub routines is shown in fig. 5, with a quasi-schematic diagram of the readout system shown in fig. 6.

On the subject of the GoSub routines, you'll notice a DPS 0 step just before each GoSub step in the program. This truncates the display to eliminate any numbers to the right of the decimal point, and also shifts the answer to position the units digit on the extreme right of the display.

In the multiplexed displays (as used in my calculator), the same segments of each display are tied together, with a digit strobe activating the appropriate digit. The Calcu-puter, as I've aptly named it, is interfaced to external readouts by connecting the segment information lines and the data strobe lines to external latches. Fig. 6 is not an absolute schematic diagram since the voltage levels and required interface, will differ between calculators.<sup>2</sup> You'll also notice the use of digital information to indicate the actual antenna position. This information, combined with the Calcu-puter information, nicely lends itself to completely automated antenna control.<sup>3</sup>

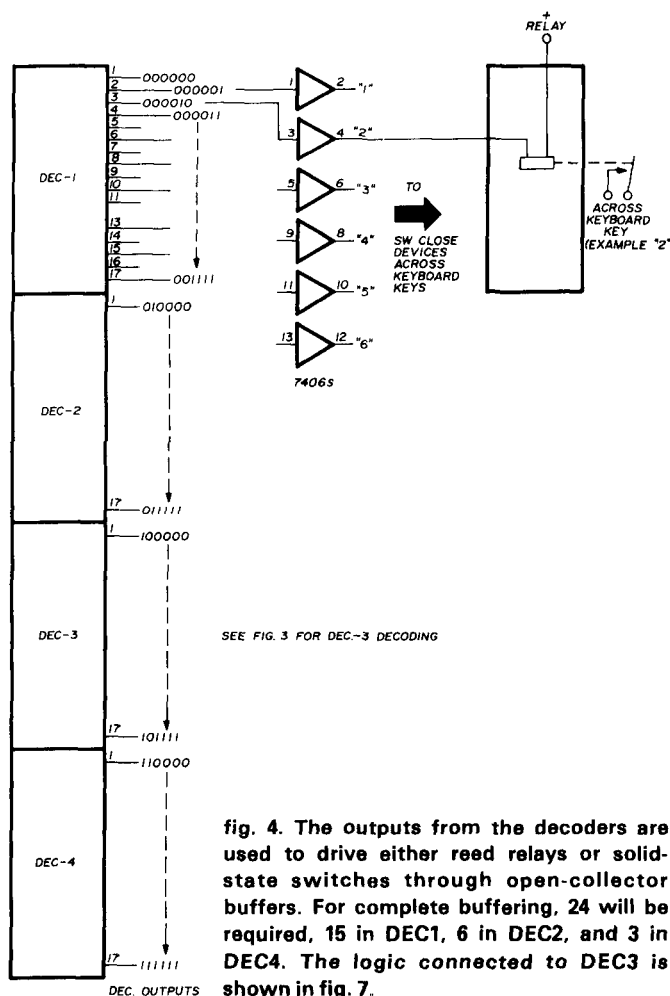


fig. 4. The outputs from the decoders are used to drive either read relays or solid-state switches through open-collector buffers. For complete buffering, 24 will be required, 15 in DEC1, 6 in DEC2, and 3 in DEC4. The logic connected to DEC3 is shown in fig. 7.

DEC3 also decodes the commands necessary to enter the equator crossing longitude and time since crossing from the external BCD switches. As seen in fig. 7, the switches and outputs from the timers are OR-wired and used to feed a 7445 BCD-to-decimal

table 3. DEC output functions. In DEC 2, only the underlined functions are used in the program.

binary	DEC 1 decoded function	binary	DEC 2 decoded function	binary	DEC 3 decoded function	binary	DEC 4 decoded function
000000	not used	010000	not used	1000000	not used	110000	not used
000001	1	010001	<u>SHIFT</u> (DPS)	100001	EQX 100	110001	sine
000010	2	010010	<u>CLX</u> (clr)	100010	EQX 10	110010	cosine
000011	3	010011	<u>ENT</u> (sci)	100011	EQX 1	110011	tangent
000100	4	010100	<u>STO</u> (INV)	100100	EQX .1	110100	not used
000101	5	010101	<u>RCL</u> (HYP)	100101	EQX .01	110101	not used
000110	6	010110	<u>EE</u> 1/x	100110	(T) 10 (minutes)	110110	not used
000111	7	010111	ln (log)	100111	(T) 1 (minutes)	110111	not used
001000	8	011000	sigma + (x,s)	101000	Go Sub 1	111000	not used
001001	9	011001	+ / - (xl)	101001	Go Sub 2	111001	not used
001010	0	011010	x → y (%)	101010	Go Sub 3	111010	not used
001011	D.P.	011011	roll x (delta%)	101011	not used	111011	not used
001100	+ (add)	011100	y x (sqr x)	101100	not used	111100	not used
001101	- (sub)	011101	not used	101101	not used	111101	not used
001110	x (mult)	011110	not used	101110	not used	111110	not used
001111	+ (div)	011111	not used	101111	not used	111111	not used

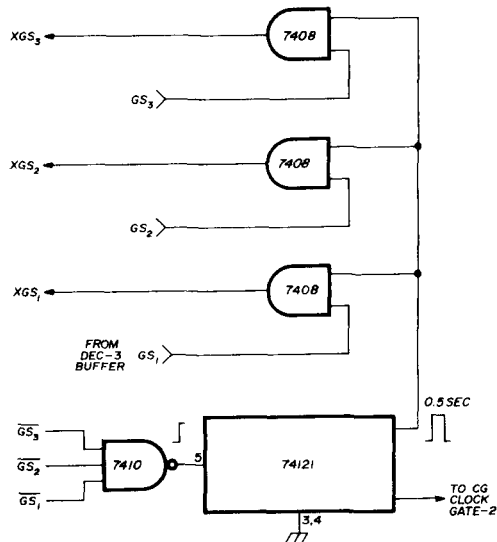


fig. 5. Details of the GoSub routine logic. The output pulse, in conjunction with the digit strobe, is used to enter the output data into the 7475 latches.

decoder. The output from the decoder also drives reed relays connected across the calculator keys.

Fig. 6 shows digital information indicating the actual azimuth and elevation of my antennas. In

addition to being applied to the 7485, 4-bit comparators, the information is applied to BCD-to-7 segment decoders and readouts. Also, fig. 7 indicates where decoders could be connected to readout the time since equator crossing. With all the information converted for readouts, I have a panel that shows displays of: azimuth (beam), azimuth (calculated), elevation (beam), elevation (calculated), distance M (calculated), distance M (for later use), time, and sequencer location. The sequencer location was included as a troubleshooting aid should the program ever stop.

Limit switches have been included in my system to stop the antenna from going beyond the prescribed limits. If you run the program only during valid pass times, the program should never produce invalid commands. But, should this ever be a problem, the limit switches will prevent major damage. You can readily see from the readouts where the problems are if they occur.

Trigonometric functions near 0 or 90 degrees, and numbers which result in zero denominators can give the program fits, but there just isn't any easy way around this. I haven't found it to be a problem, however, except on way out, very short passes. A final note on PROM programming: in steps 059-063 and

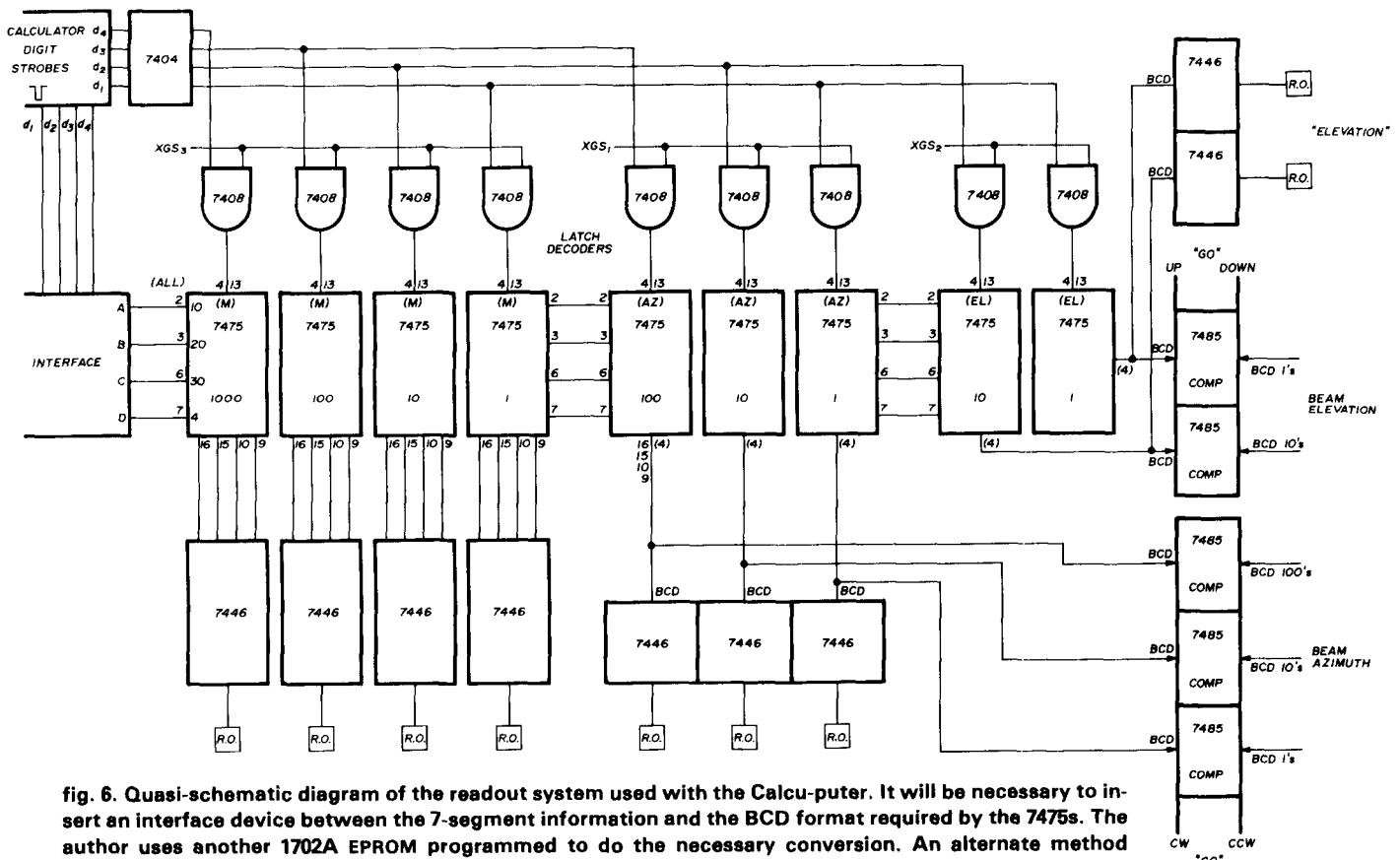


fig. 6. Quasi-schematic diagram of the readout system used with the Calcu-puter. It will be necessary to insert an interface device between the 7-segment information and the BCD format required by the 7475s. The author uses another 1702A EPROM programmed to do the necessary conversion. An alternate method would be to use the National 74C915 to convert the data. Though not shown in this diagram, the author has also connected decoders and readouts to indicate the actual antenna position. The 7404 buffers between the calculator and the latches may have to be changed depending upon the type of strobe coming from the calculator.

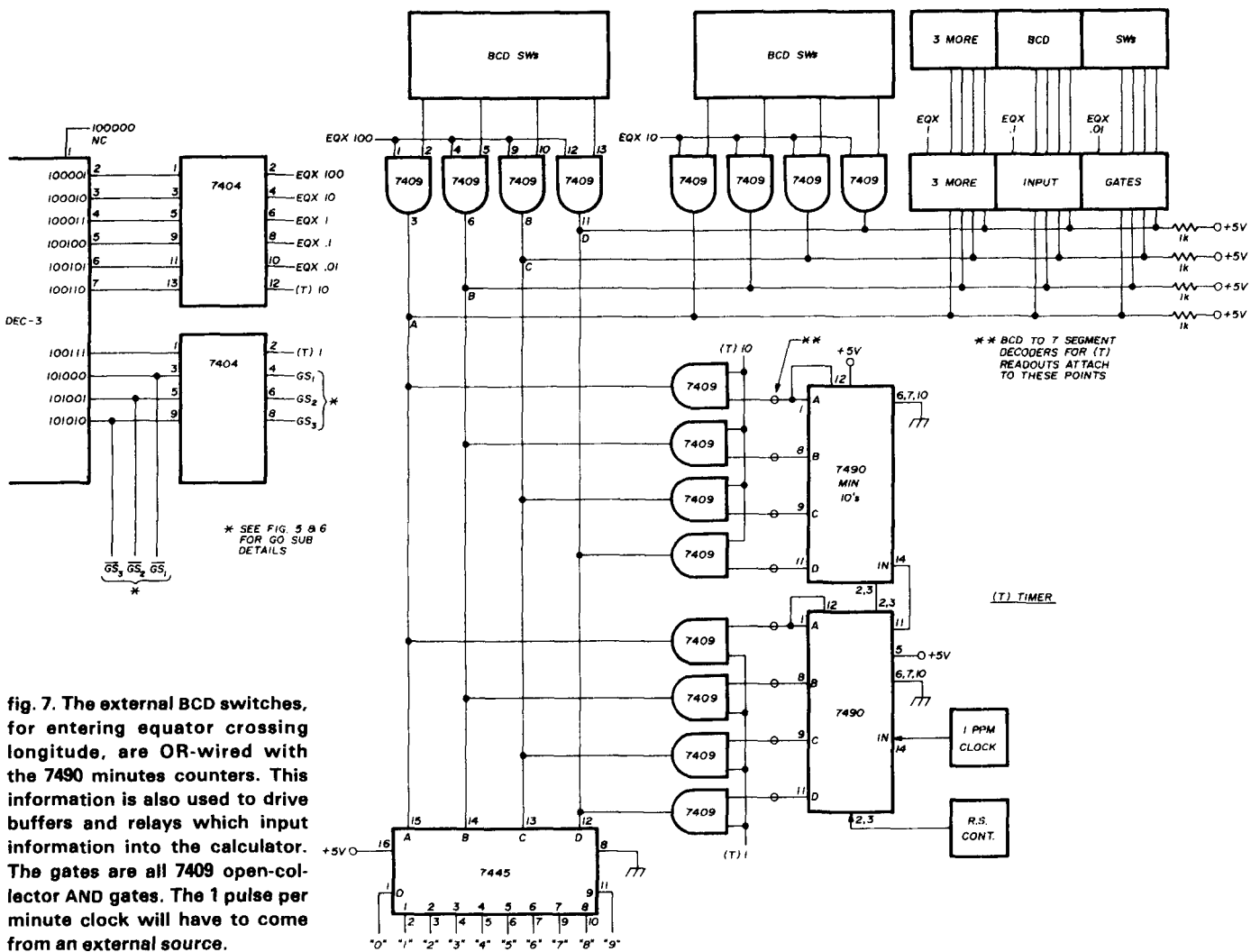


fig. 7. The external BCD switches, for entering equator crossing longitude, are OR-wired with the 7490 minutes counters. This information is also used to drive buffers and relays which input information into the calculator. The gates are all 7409 open-collector AND gates. The 1 pulse per minute clock will have to come from an external source.

087-092 be sure to enter the latitude and longitude for *your* location. This will be retained as permanent information in the PROM.

### concluding comments

The primary message of this article has been to show you that a complete computer/microprocessor is not required to do simple math problems. The PROM is in a sense a simple BASIC language like no other. It has automated a calculator, providing both for inputing and outputing of data, much in the same way as a full-scale computer.

I did write a program in algebraic notation instead of RPN, but quickly discarded it when I couldn't find an inexpensive calculator with enough onboard memory. Lacking this capability meant dumping out the interim answers, performing more calculations, and retrieving the interim answers before the final numbers could be outputed. It generally amounted to a lot more hardware, fast approaching a full-blown computer, a mess that I wanted to avoid from the

beginning. The APF 55 calculator I finally used was provided by a friend because some of the digit segments would not light. It was about as cheap, and definitely quicker, for him to buy a new calculator and give me his remains! Shop around because the price on some of the very sophisticated units is getting ridiculously low. For that matter, one of the many calculator shops around these days might part with some of their damaged returns, for the right price.

For anyone wishing additional information, a self-addressed, stamped, envelope will bring a quick reply; and any comments on improvements to the system will be welcomed.

### references

1. Bob Henson, WB0JHS, "Computerized Satellite Tracking," 73, February, 1977, page 72.
2. Bruce McNair, N2YK and Glenn Williman, N2GW, "Digital Keyboard Entry Systems," ham radio, September, 1978, page 92.
3. David Brown, W9CGI, "Introducing Autotrak," 73, July, 1977, page 46.

ham radio

# HAMTRONICS, INC.

If Santa wants to  
know what to  
leave under  
your tree . . .

(circle your choice  
and leave it for  
Santa to see!)

IC  
280  
\$480.00

IC  
211  
\$849.95

IC  
245/SSB  
\$689.95

IC  
701AC  
\$1595.00

FT227R  
\$349.00

TR7400A  
\$449.00

1525  
Drake  
Touch Tone  
mic.  
\$49.95

Yaesu  
CPU2500RK  
\$585.00

TS600  
\$759.00

TS700SP  
\$759.00

YAESU  
FT 225 RD  
\$895.00

YAESU  
FT-901DM  
\$1459.00

\$1398.00

DRAKE  
T4 XC  
R4C

TEN-TEC  
OMNI-D  
\$1069.00

DRAKE  
TR7/DR7  
\$1295.00

Santa can call  
Jim Titus Toll Free  
800-523-8998  
for more information

A Division of Trevoze  
Electronics, Inc.  
4033 Brownsville Rd.  
Trevoze, PA 19047

FREE UPS SHIPPING  
ON PREPAID ORDERS



TOLL FREE  
QUOTES

800-523-8998

# simple video display

Two projects  
to get you started  
in building a  
video display unit  
using readily  
available devices

**There has been much recent interest** in video display units. They can be used as part of a video typewriter, for putting up displays on ATV and SSTV, and for decoding RTTY and Morse off the air. Most of the displays are complex and expensive. Even the available kits aren't suitable for those who haven't had much experience. For normal use you don't need whole screens full of characters, and the simple 32-character single-line display described here is an excellent beginning for those who would like to play around with an inexpensive video display unit.

## description

The heart of the unit is the Fairchild 3258 dot-matrix character generator IC. Externally it's a 16-pin package (I hate to think what's inside it!), which accepts ASCII inputs and produces 64 characters on a 5 x 7 dot matrix. Apart from the inputs and outputs, the only other signal connections to the chip are inputs to a clock and a master reset. The chip has an internal clock and addressing system. After the master reset input operates and goes high, the information representing the first row of the character is available after the first clock pulse. Subsequent

clock pulses select the next six rows in turn; after that, the outputs are clamped high and the character generator stops until another master reset pulse appears. Thus, if the character-generator clock is pulsed at line frequency, the character will appear on the screen.

## experimental system: one character 32 times

Fig. 1 shows the logic diagram of the display unit. Only nine integrated circuits, including the character generator, are required. There is no reference crystal or dividing network. I used a monitor from a non-composite camera and monitor combination and simply fed the horizontal and vertical sync pulses into the VDU. If you wish to use a regular TV set, it's quite easy to add two 555 timers to provide horizontal and vertical sync pulses. Fig. 2 shows the connections for the monitor, which would be typical, and fig. 3 shows the circuit for the 555 timers required.

## system operation

The second half of the 74123 feeds a gate, which feeds a second gate, which in turn feeds back into the 74123. This action sets up an oscillating circuit whose frequency is determined by the 5k pot in the +5-volt line. This frequency is used to step the 74195 shift registers and provides the basic video signal. The character-generator output is loaded into the 74195 shift registers then clocked out in a serial mode at the VIDEO OUT terminals. The J and K inputs of the first shift register cause highs to be entered as the data from the character generator is shifted along. Finally, when the six outputs to the 9007 gate are all high, a low is sent on the MOD 7 counter line, which reloads the shift registers and clocks the horizontal character count 7493 ICs.

By Roy Hartkopf, VK3AOH, 34, Toolangi Road, Alphington, Victoria, Australia 3078



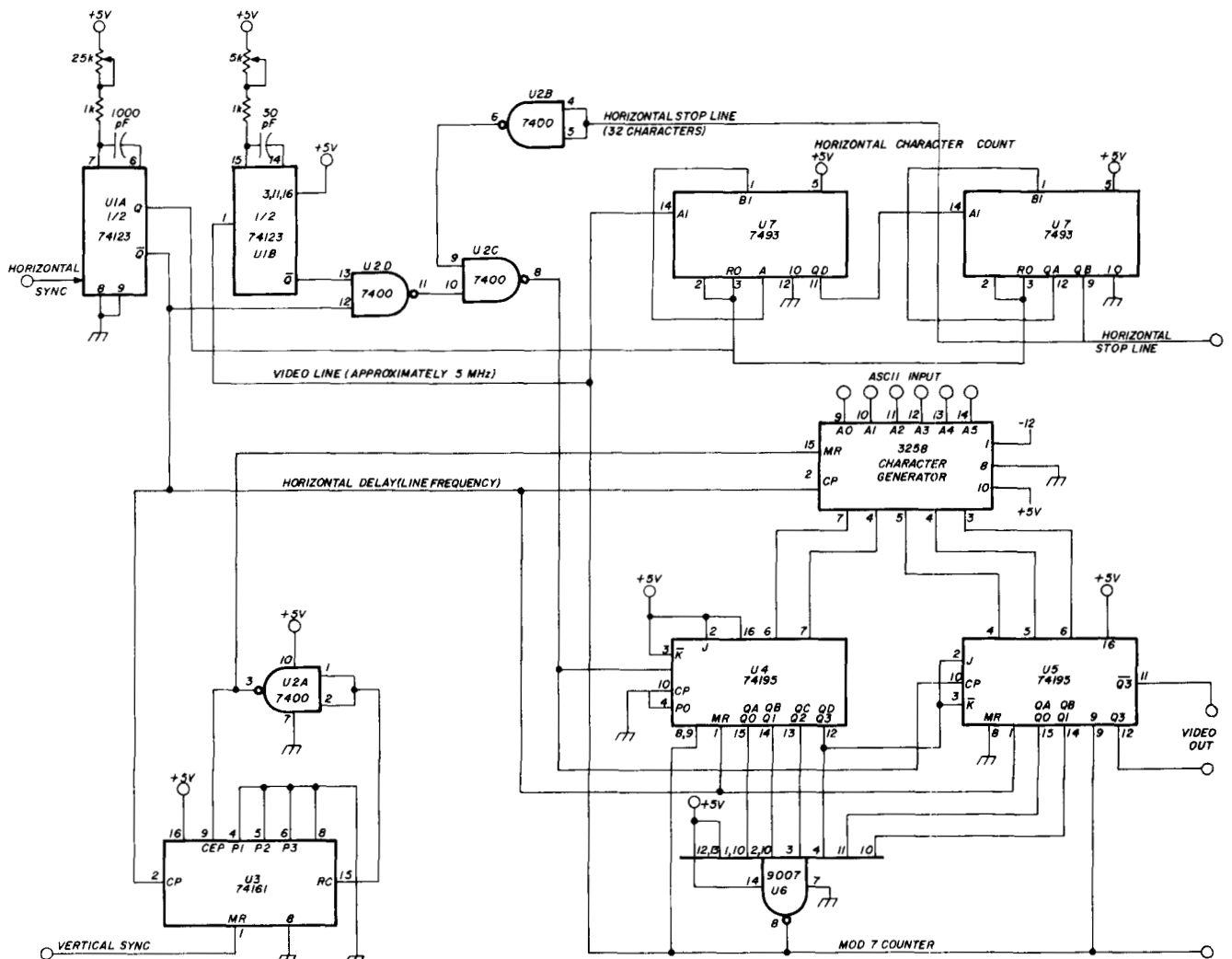


fig. 1. Logic diagram of the video display unit (VDU). Only nine ICs, including the character generator, are used.

When this action occurs 32 times, the 7493 provides an output to the HORIZONTAL STOP line, which inhibits the 5-MHz oscillator and stops the sequence.

This action occupies about two-thirds of a single horizontal line. When the end of the TV line is reached, a horizontal sync pulse operates the first half of the 74123, resetting the 7493 counters, providing a clock pulse to the character generator. This pulse acts to output the information for the next line and resets the 74195 shift registers. The sequence then repeats for the next line.

The character generator automatically blanks out after a complete row of characters has been sent, and if it's required to have more than one row, the 9316 will count the rows and reset the character generator. A vertical sync pulse resets the 9316, so the information is always at the same position on successive frames.

There are no critical adjustments in this circuit.

The 25k pot in the first half of the 74123 positions the first character on the left-hand side of the screen, and the 5k pot in the second half opens up or closes the 32-character-length display so it can be spaced evenly across the screen.

The logic shown in fig. 1 will produce a display of one character repeated 32 times across the screen. The character will be determined by the ASCII input to the character generator. For test purposes you can apply a combination of 5-volt and ground inputs as required. This can be treated as a project in itself, so that those who want to take a bit at a time can do this, then go on to the second half of the project.

### 32 different characters

The logic for the second half of the project is shown in fig. 4 and again is quite simple. Here, the main device is a Fairchild 3349 hex 32-bit static shift register. Like the character generator, the 3349 has a

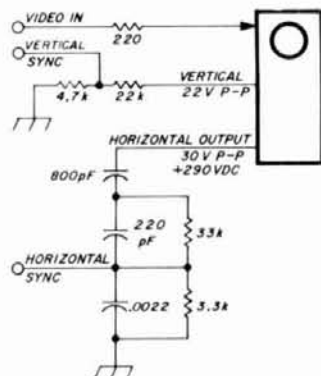


fig. 2. Connections for a typical monitor (Toshiba TMC2AX).

deceptively simple 16-pin package; and again, there is a complex integrated circuit inside.

Only two signal controls are needed: a clock input and a load/recirculate input. The clock pulse steps the 32 bits in each of the shift registers, which recirculate until the LOAD/RECIRCULATE input goes low. Then new data is accepted and the data at the other end is lost. When the LOAD/RECIRCULATE input goes high again, the 32 bits in each of the six shift registers at that time resume recirculating. To obtain 32 different characters across the screen, the shift registers must present the six new bits to the character generator each time the Mod 7 counter operates so that the shift-register clock is fed from the Mod 7 counter. This action would produce 32 characters, but they would be random characters that happened to come up when the display was first

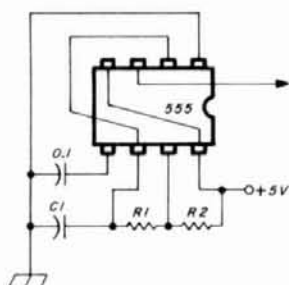


fig. 3. Circuit using the NE-555 timer to provide horizontal and vertical sync pulses if a regular TV set is used as a monitor.

	R1	R2	C1
VERTICAL	4.7k	100k	0.047
HORIZONTAL	4.7k	22k	0.0022

switched on. So we must have some way of putting in the characters we want. This is done by simultaneously presenting the required ASCII code to the shift-register inputs and applying a negative key pulse to the set input of a flip-flop. This action sets the flip-flop output high and puts a high on the data input of a second flip-flop (both halves of a 7474). A pulse from the HORIZONTAL STOP line (at the end of the display of the 32 characters) clocks the second flip-flop. This allows a low to be put on the load input and also operates a gate, allowing an extra clock pulse (from the horizontal sync) to clock the new data into the shift registers. Then, at the end of the horizontal sync pulse, the flip-flops are reset and the 31 old characters and the one new one recirculate until another character is entered.

The two 74121s merely give a controlled-length

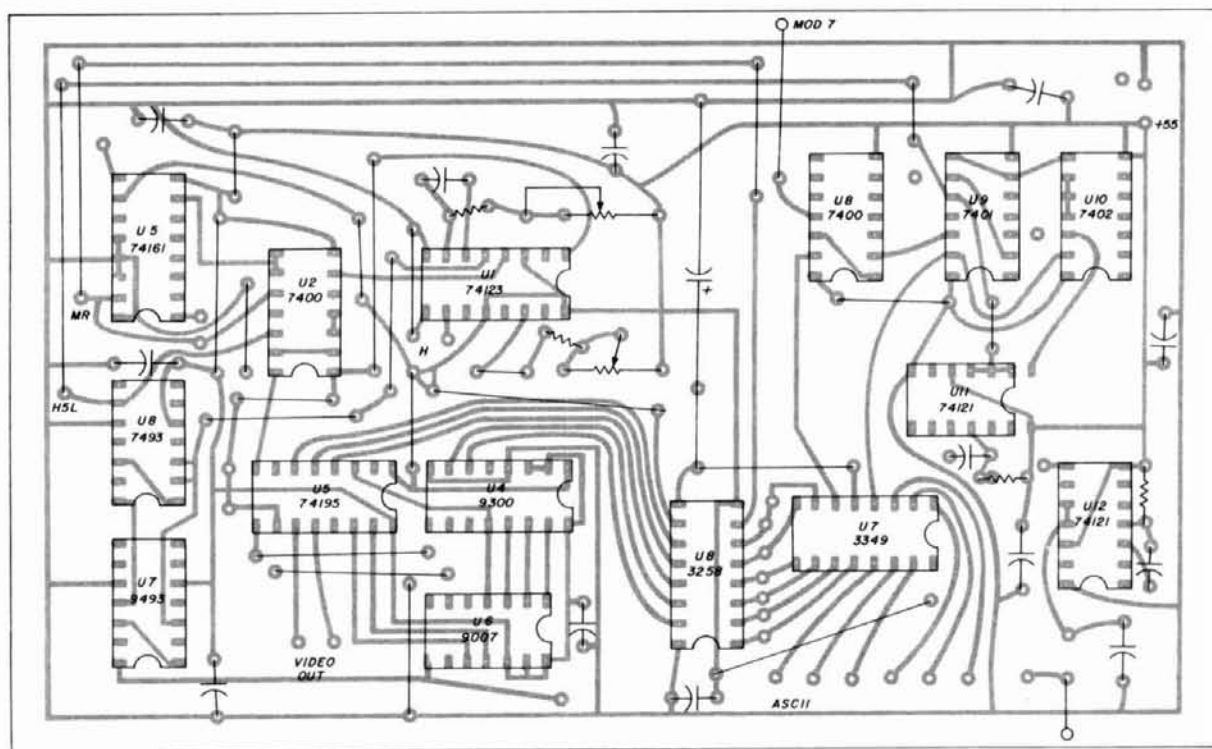


fig. 5. Full-size PC-board layout for both sections of the display unit. It has been tested by the author and works perfectly.

# FREQUENCY COUNTERS



## 6 GOOD REASONS FOR BUYING A HAL-TRONIX FREQUENCY COUNTER

(1) 100% COMPLETE KIT, (2) EASY ASSEMBLY, (3) COMPLETELY ENCLOSED IN METAL CABINET, (4) IC SOCKETS USED THROUGHOUT FOR EASY TTL REPLACEMENT (5) EASY ON YOUR POCKET BOOK, AND (6) NO EXPENSIVE CHIPS TO REPLACE (EXAMPLE — IF YOU LOSE A DECODER, LATCH OR DRIVER IN A HAL-TRONIX COUNTER, THE AVERAGE COST OF REPLACEMENT OF THE LOW-COST TTLS IS LESS THAN \$1.00 EXCLUDING THE PRE-SCALE CHIP. IN SOME OF THE NEWER COUNTERS NOW BEING MARKETED BY MY COMPETITION, THEY ARE USING THE EXOTIC SINGLE CHIP AND WOULD COST YOU CLOSE TO \$30.00 TO REPLACE). THIS IS SOMETHING YOU SHOULD CONSIDER.

**COMPLETE KITS:** CONSISTING OF EVERY ESSENTIAL PART NEEDED TO MAKE YOUR COUNTER COMPLETE. **HAL-600A** 7-DIGIT COUNTER WITH FREQUENCY RANGE OF ZERO TO 600 MHz. FEATURES TWO INPUTS: ONE FOR LOW FREQUENCY AND ONE FOR HIGH FREQUENCY; AUTOMATIC ZERO SUPPRESSION. TIME BASE IS 1.0 SEC OR .1 SEC GATE WITH OPTIONAL 10 SEC GATE AVAILABLE. ACCURACY  $\pm .001\%$ . UTILIZES 10-MHz CRYSTAL 5 PPM.

**COMPLETE KIT . . . . . \$129**

**HAL-300A** 7-DIGIT COUNTER WITH FREQUENCY RANGE OF ZERO TO 300 MHz. FEATURES TWO INPUTS: ONE FOR LOW FREQUENCY AND ONE FOR HIGH FREQUENCY; AUTOMATIC ZERO SUPPRESSION. TIME BASE IS 1.0 SEC OR .1 SEC GATE WITH OPTIONAL 10 SEC GATE AVAILABLE. ACCURACY  $\pm .001\%$ . UTILIZES 10-MHz CRYSTAL 5 PPM.

**COMPLETE KIT . . . . . \$109**

**HAL-50A** 8-DIGIT COUNTER WITH FREQUENCY RANGE OF ZERO TO 50 MHz OR BETTER. AUTOMATIC DECIMAL POINT, ZERO SUPPRESSION UPON DEMAND. FEATURES TWO INPUTS: ONE FOR LOW FREQUENCY INPUT, AND ONE ON PANEL FOR USE WITH ANY INTERNALLY MOUNTED HALTRONIX PRE-SCALER FOR WHICH PROVISIONS HAVE ALREADY BEEN MADE. 1.0 SEC AND .1 SEC TIME BASES. ACCURACY  $\pm .001\%$ . UTILIZES 10-MHz CRYSTAL 5 PPM.

**COMPLETE KIT . . . . . \$109**

## ATTENTION RADIO CLUBS

For club or group projects, request FREE information about our DISCOUNTS on any of the HAL-TRONIX kits. Discounts range from 10-25%, depending upon the quantity needed. We are experienced in supplying kits in volume quantities to schools, laboratories, clubs, and common-interest groups. Nobody beats HAL-TRONIX quality and price. Just try us and see for yourself!



## FROM HAL-TRONIX DELUXE 12-BUTTON TOUCH-TONE ENCODER KIT

utilizing the new ICM 7206 chip. Provides both VISUAL AND AUDIO indications! Comes with its own two-tone anodized aluminum cabinet. Measures only 2 1/4 x 3 1/4". Complete with Touch-Tone pad, board, crystal, chip and all necessary components to finish the kit.

**PRICED AT . . . . . \$29.95**

For those who wish to mount the encoder in a hand-held unit, the PC board measures only 9/16" x 1 1/4". This partial kit with PC board, crystal, chip and components.

**PRICED AT . . . . . \$14.95**

## PRE-SCALER KITS

**HAL 300 PRE . . . . . \$19.95**  
(Pre-drilled G10 board and all components)

**HAL 300 A/PRE . . . . . \$24.95**  
(Same as above but with preamp)

**HAL 600 PRE . . . . . \$34.95**  
(Pre-drilled G10 board and all components)

**HAL 600 A/PRE . . . . . \$39.95**  
(Same as above but with preamp)

## SPECIAL — due to OVERSTOCK (while they last!) FAIRCHILD FND-70

common cathode readouts (can replace FND-359 . . . same pin-out)

Qty.	Price each	Amount
10	40c	\$4.00
100	35c	35.00
500	30c	150.00
1000	25c	250.00

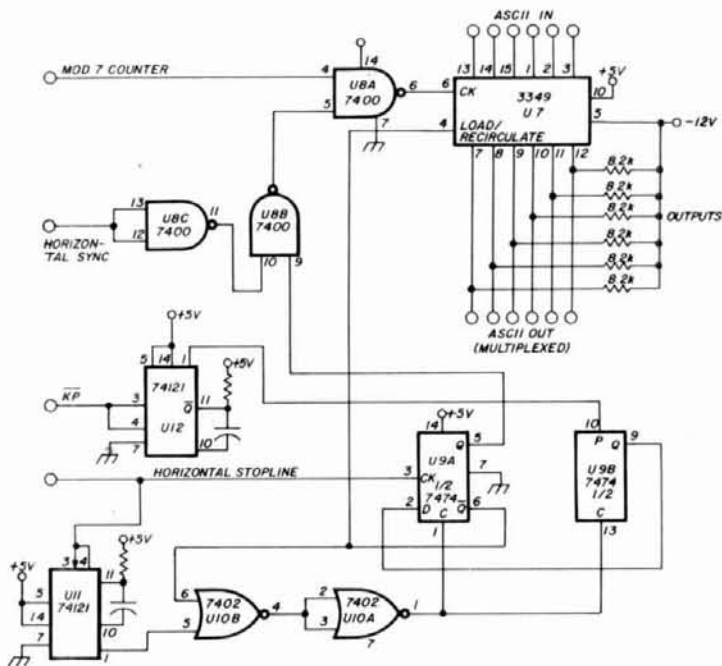


fig. 4. Video-display logic for producing 32 different on-line characters. The main device is a Fairchild 3349 hex 32-bit static shift register.

pulse and could be replaced with a resistor-capacitor combination, but they were used because the pulse length is more controllable. Apart from the shift register and flip-flops, the only other ICs are a couple of normal gates. The only other point worth mentioning is that the shift register outputs require external resistors (8.2k) from each output to the -12-volt supply.

## construction

Two simple circuit boards about 3 inches (76mm) square will accommodate the entire system, or it can be built on a slightly larger board (fig. 5). It's a good idea to use sockets for the character generator and the shift register. Sockets for the other devices are a matter of personal preference.

When testing the circuit be very careful not to let the -12-volt supply get into any of the +5 volt TTL devices — it can have disastrous results!

## final remarks

This project will give a beginner in this area an insight into the principles of VDUs and provide an excellent starting point for developing something more complex. To keep the project as simple as possible no attempt has been made to eliminate additional lines, so there will be several identical lines of 32 characters across the screen. In practice, they help rather than hinder reading the characters.

ham radio



"HAL"  
HAROLD C. NOWLAND  
WB2XHX

## HAL-TRONIX

PO BOX 1101, SOUTHGATE, MI 48195  
PHONE (313) 285-1782

### SHIPPING INFORMATION:

ORDERS OVER \$15.00 WILL BE SHIPPED POSTPAID EXCEPT ON ITEMS WHERE ADDITIONAL CHARGES ARE REQUESTED ON ORDERS LESS THAN \$15.00 PLEASE INCLUDE ADDITIONAL \$1.00 FOR HANDLING AND MAILING CHARGES. SEND SASE FOR FREE FLYER

# updating the Collins 32S-1

Never being satisfied with the *status quo* when it comes to any radio equipment I've ever owned, I eventually succumbed to the urge to modify my recently acquired Collins 32S-1 transmitter. The modifications described here include the following:

1. BFO generation of the CW carrier
2. Voltage regulation of the PTO and HFO
3. Control of the keyed wave shape
4. A spotting switch (CW CAL)
5. The ability to monitor the final-amplifier plate (cathode) currents individually
6. Alterations to the tone oscillator

The modifications were made to bring the performance of the 32S-1 up to the standards of its successor, the 32S-3, without incurring an expenditure of some \$300-\$400 in the process.

**Table 1** identifies the components involved in the modifications discussed here. Schematics and parts lists should be changed accordingly to reflect these changes, since removed components will have their identities transferred to newly installed pieces that correlate with those used in the 32S-3.

## BFO CW generation

The 32S-1 generates its CW carrier with a tone fed from the tone oscillator through the mechanical filter (much like whistling into the mike or feeding AFSK into the mike jack on RTTY). The frequency of the tone used in the 32S-1 was chosen specifically so that its second harmonic falls well outside the mechanical-filter passband. However a weak residual signal still exists, and it has been heard on occasion at some distance.

The 32S-3, uses the BFO signal to generate the CW carrier, eliminating this residual signal. The resultant on-the-air signal is much cleaner and sounds much more like a true CW signal when compared with that of the 32S-1.

Installing this feature requires extra switching capabilities, which must be performed by the EMISSION

switch, S8. The 32S-1 has four wafers on this switch, while the 32S-3 has five. Here are some ways in which this additional switching may be handled; a separate 4 PDT toggle switch may be used; S8 may be entirely replaced; or the existing switch may be disassembled and a new index and wafer added. Although the first possibility was initially pursued, I found it to be inconvenient. The most satisfactory arrangement was to replace the index assembly and add an additional wafer to S8.

The MIC GAIN pot and switch must also be replaced with a new unit using two pots commonly controlled and switch S14. The additional pot controls the cathode bias (CW DRIVE) on the rf amplifier, V6. Both parts are available from Collins; the switch is part no. CPN 259-1628-000 and the dual pot and switch is part no. CPN 376-2648-0000.

First, replace the existing MIC GAIN pot with the new dual unit. Note that space is at a premium, and the possibility of a shorted terminal strip lug exists next to V12. To avoid this, mount a two-lug terminal strip on the opposite side of the crystal board and secure it with the self-tapping screw that holds another two-lug strip. Remove the B+ ends of R60, L20, and the B+ feed wire (green/white) from their original location. Attach them to the new terminal strip. The now empty lug may be bent over to clear the pot and switch R8/S14.

Mount a single-lug terminal strip under the hardware securing the two ground lugs between V13 and V4. Lift C20 (0.01  $\mu$ F) from ground and connect it to the strip. Route a length of RG-174/U cable from this junction to the vicinity of S8. Lift R39 (V6, pin 7) from ground and connect that end to a single-lug strip that has its ground lug straightened and soldered to the ground shield/barrier across V6. From this same point, run a wire to R8B and install a new R71 (68k/2W) between this lug and the terminal lug near V5 where R29 and R30 (4.7k/2W) connect to the +275-volt line (red/white wire).

From R8B run another wire to S8-B lugs 9 and 10, which are then connected in parallel. In the 32S-1

By Paul K. Pagel, N1FB, 4 Roberts Road, Enfield, Connecticut 06082

these two lugs are empty, as are those on the wafer to which R87 (470 ohms) is attached. Connect the empty lug of R8B to ground.

Connect a 33-ohm resistor (new R70) to V2A pin 9. Remove the BFO input cable. At this time S8 should be modified or replaced. Assuming the index and wafer are to be replaced and added, remove the switch and thread some bare wire through the rivet holes (which secure the switch contacts on wafers 1 through 4) at two points 180 degrees apart to prevent the spacers from separating from the wafers. Then the existing index may be removed, replaced, and the 5th wafer added with little effort.

Wire the switch as shown in **fig. 1**. Run a wire from S8B lug 11 (presently empty) to V10 pin 1 to prevent premature VOX relay dropout on CW.

## ALC modification

Unlike the 32S-1, the 32S-3 does not use ALC in the CW position. During CW, switch selection S8G-5 grounds the midpoint of ALC capacitors C83 and C142. This change may be added to the modified

table 1. Component identification for the 32S-1 mods described in the text.

32S-3 part no.	original 32S-1 part no.	value	modified 32S-1 part no.	value	location
C81	not used		C81	0.005 $\mu$ F	second mixer
C115	C115	0.01 $\mu$ F	C115	0.33 $\mu$ F	keying circuit
R17	R17	33k/1W	R17	5k/10W	voltage regulator
R70	R70	470k/1/2W	R70	33 ohm/1/2W	V2A
R71	R71	470k/1/2W	R71	68k/2W	B +

32S-1 by simply adding a jumper wire from S8G-1 and -2 to S8G-5 (**fig. 2**). Now, during CW operation, the GRID CURRENT position (instead of ALC) is monitored, and the MIC GAIN control is adjusted to obtain a grid current reading of 1 to 2 dB on the meter while sending a series of dots.

## keying circuit and CW calibrate

The 32S-3 keying circuit provides some manual control of the keyed wave shape, **fig. 3**. The spotting feature (CW CAL) may be installed coincidentally. The CW CAL function switch should be front-panel mounted for ease of operation. The KEY SHAPE control, R123, may be located under the lid of the 32S-1 exciter on the bracket containing the VOX controls, or a separate bracket can be made and attached to the power-amplifier cage with self-tapping screws. Most of the other components are mounted on the terminal strips from which the 32S-1 keying circuit components will be removed. The addition of a single three-lug terminal strip (center ground) between K1 and V14 ensures that all components are securely mounted.

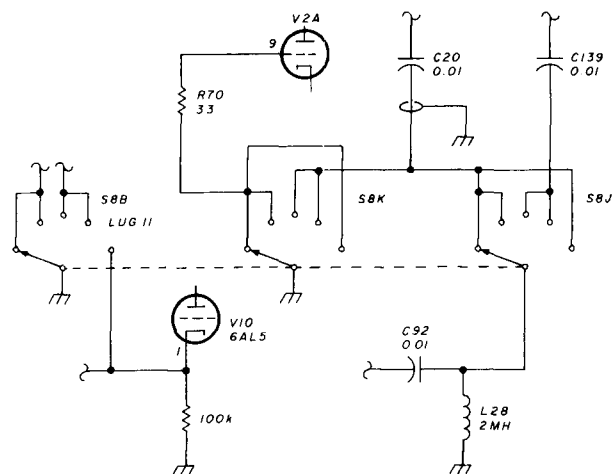


fig. 1. Schematic of the BFO generated CW showing modification of switch S8 to eliminate the weak residual signal in the 32S-1 when in the CW mode.

R70, R71, and R72 may be removed from the terminal strips at the bottom left of the chassis and R125 mounted in place of R72; R126 in place of R71; and R124 in place of R70. Remove relay K1's lead and mount it onto the newly installed terminal strip.

Instead of using the multiple-leaf switch and 250k pot arrangement of the 32S-3 for the CW CAL function, a fixed resistor and three-pole rotary switch were used (**fig. 4**). The rotary (or toggle) switch has a more positive action and doesn't require constant depression to activate the desired function. A value of 68k resulted in a satisfactory over-all spotting level and this resistor was secured to the two innermost lugs of a 5-lug (center-ground) terminal strip mounted with its ground lug soldered to the ground lug of the strip behind K1 and at right angles to it. (The other lugs will be used in the regulated voltage modification.)

Mount the 3PDT switch (S13) on the front panel between the FREQUENCY CONTROL and MIC GAIN shafts. Center the holes 87 mm (3-7/16 inches) from the top of the panel. If done carefully it will appear to have been factory installed.

For ease of wiring and installation I recommend that the FREQUENCY CONTROL switch be temporarily removed. Unsolder and tie back the green/white

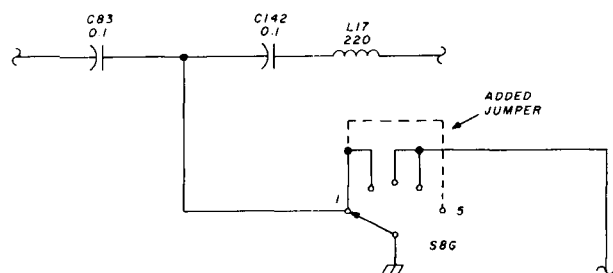


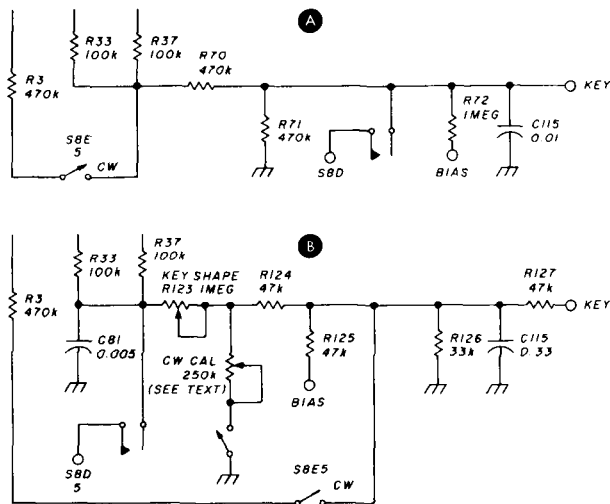
fig. 2. A jumper wire is added to switch S8-G to ground ALC voltage during CW operation.

wire at S9E-1. Wire the remaining circuit according to **fig. 4**.

In operation the transmitter must be properly tuned for CW operation for the CW CAL function to be enabled; it will not work on ssb.

The KEY SHAPE control (R123) should be adjusted to eliminate key clicks created by the rapid rise of the keyed signal. The effect of this control will be fully appreciated when the transmitted signal is monitored on an oscilloscope. The control should be adjusted to round the leading edge of the waveshape slightly.

Additional shaping of the waveform on the trailing edge may be accomplished by adding capacitance in two places: between the key line to ground and between the junction of R33/R37 and ground in the



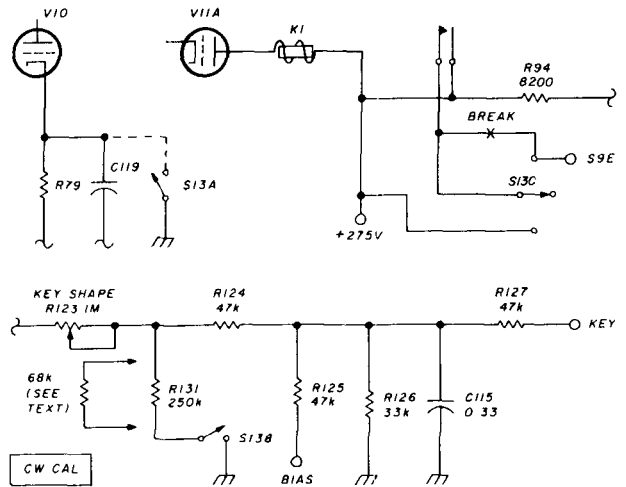
**fig. 3.** Keying circuits of the 32S-1 (A) and 32S-3 (B). By modifying the 32S-1 as described, you can have control of the keyed waveform within limits. The CW CAL feature is a handy addition. It won't work on ssb, however.

first mixer, V5. Some experimentation should provide a wave with the desired characteristics, with values of 0.025  $\mu\text{F}$  (C115-A) and 0.005  $\mu\text{F}$  (C81) being a good starting point in their respective positions. See **fig. 5**.

A difference will be noticed between on-the-air signals when using a transistor-output keyer versus a bug or relay-output keyer; the transistor provides a softer signal and you might use considerably more key-line capacitance with a bug or relay-output keyer, depending on personal preference and speed. Too much capacitance at high speeds tends to slur the code elements.

### voltage regulation

In the 32S-3, the 6AL5 ALC rectifier was deleted and solid-state devices used in the ALC circuit. This



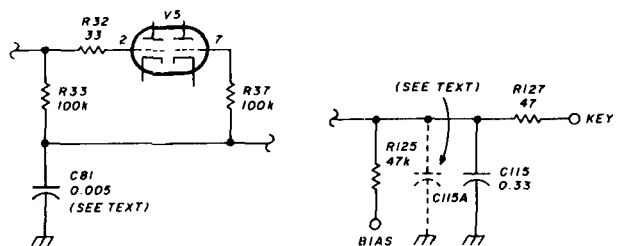
**fig. 4.** Modifications to the CW CAL circuit. A fixed resistor and a 3-pole rotary switch provide more positive action. It isn't necessary to hold down the switch to activate the desired function.

freed socket V13, which was used to hold an OA2 tube to supply the regulated voltage for the oscillators. I found it simpler to use a 140-volt, 10-watt zener (1N3010A) for the regulator. They are inexpensive and eliminate the need to free V-13's socket, with the problems of rewiring the ALC circuit and finding space for more parts.

An advantage of the zener is its ease of mounting. Mount CR9 (**fig. 6**) on the perforated wall of the bottom side of the power-amplifier cage by enlarging one of the holes to accept the 10-32 threaded stud of CR9. Mount a dropping resistor (new R17, 5k/10W) on the terminal strip installed previously to the rear of K1. (Note: The original R17 must be removed according to the following steps.)

A convenient source of +275 volts is the terminal of C137 on the PA-cage wall; it has the 100-ohm/1/2-W resistor attached.

Modify the PTO and HFO circuit as follows. Remove the original R17 (33k/1W) and substitute



**fig. 5.** Improved keying wave is provided by this change. The added capacitances improve shaping of the signal trailing edge. Capacitances C115A and C81 (respectively 0.25  $\mu\text{F}$  and 0.005  $\mu\text{F}$ ) are good starting points. Some experimentation might be needed to provide desired waveform characteristics.

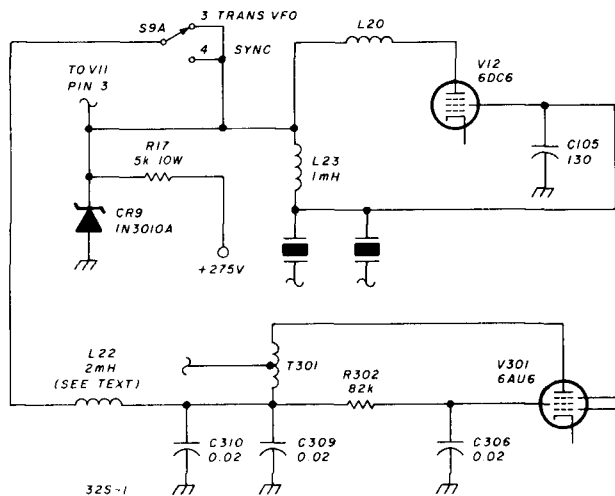


fig. 6. Regulated-voltage modifications. A 140-volt, 10-watt zener replaces the old OA2 regulator. This change is even simpler than that in the 32S-3 (see text).

L22 (2-mH). R17 is located close to C57 and the shield can. Run a wire from CR9 past the crystal board and up through the grommet to S9. At S9, locate the red/white/green/blue wire that connects to L22's B+ end. Cut the black jumper connecting the two S9 wafers (+275 volts) and attach the +140-volt line to the commoned lugs, 3 and 4, TRANS VFO and SYNC (fig. 6).

One of the two green/white wires on S9's rear wafer supplies +275 volts to the HFO, V12. Locate this wire, disconnect it at S9 rear, and move it to the +140-volt line on lugs 3 and 4. Disconnect R60 (47k) completely. Install L23 (1 mH) in its place. This completes this modification.

### tone-oscillator changes

Both before and after the modifications described, an unwanted high-frequency oscillation was audible. I found it necessary to add 0.1  $\mu$ F of capacitance between V11 screen and ground in parallel with C107.

Since the tone oscillator no longer supplies the on-

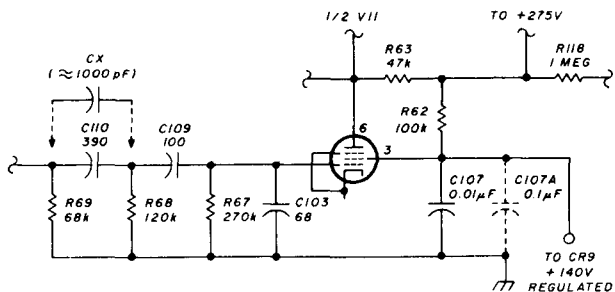


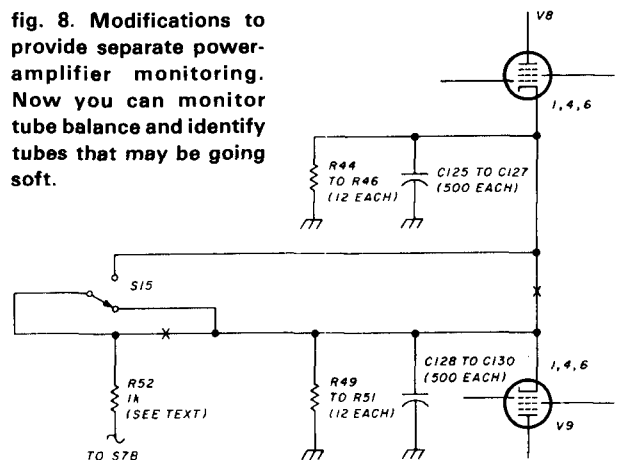
fig. 7. Tone oscillator changes. This change eliminates an unwanted high-frequency oscillation in the output. Capacitor CX in parallel with C110 provided a more pleasing monitoring note.

the-air CW signal, its frequency may be altered to provide a more pleasant monitoring note. This note is purely a matter of personal preference, so some experimentation may be necessary. In my case, a 100-pF mica capacitor was paralleled with C110.

### separate plate-current monitoring of the power amp

Unsolder R52 (1k). (Note: This value may differ from unit to unit.) R52 is attached to the copper strap joining the cathode pins of the two 6146s. Cut and remove the strap from between the tubes. Attach a length of hookup wire to each of the pins from which the strap was removed and route them toward the perforated wall of the PA cage. Mount a 4-lug termi-

fig. 8. Modifications to provide separate power-amplifier monitoring. Now you can monitor tube balance and identify tubes that may be going soft.



NOTE: BREAK AT POINTS X

nal strip inside the enclosure toward the rear of the chassis with 4-40 (M3) hardware and wire as shown in fig. 8. Mount the DPDT switch, S15, directly beneath the meter. For ease of access the meter should be removed before drilling the mounting hole. Use a miniature toggle switch in this location, which is almost unnoticeable.

No interpolation of the readings is necessary since the cathode voltage/resistance ratios are unchanged. Tube balance, which is necessary in all parallel-tube amplifiers, is readily observed, and a soft tube may be easily spotted. The cathode currents of the individual tubes should track within +10 per cent to satisfy a balanced condition.

### closing remarks

The incorporation of these mods into the Collins 32S-1 provided performance that rivals that of the more costly 32S-3. It's given a new lease on life to a veteran of some 18 years and has saved a couple of hundred dollars in the process!

ham radio

# EVEN SANTA SHOPS

Santa knows he can get terrific package deals at Hamtronics. All the famous brand names in Transceivers, Receivers, HF, VHF-UHF, FM equipment. The latest in Antennas, Rotors, Towers and all the necessary accessories.

Santa's so shrewd, even his own personal station could have been bought at Hamtronics





# T HAMTRONICS, INC.



for a lot less than he'd pay at the dealer closest to home — the North Pole! Why not take a tip from Santa, shop Hamtronics, today.



Just for openers... look at these exciting stocking deals at prices so low they won't leave you hanging after Christmas!

Package Stocking #1

Buy a TS820S for \$1249.00 and receive a \$200.00 credit towards another purchase.

Package Stocking #2

Buy a TS520S for \$799.00 and receive a \$100.00 credit towards another purchase.

Package Stocking #3

Buy a Yaesu FT901 DM for \$1459.00 and receive a \$200.00 credit towards another purchase.

A Division of  
Trevoze Electronics, Inc.  
4033 Brownsville Rd.  
Trevoze, PA 19047

FREE SHIPPING  
ON ALL ORDERS



TOLL FREE  
QUOTES

# 800-523-8998

**OMNI—THE ALL-INCLUSIVE.** Because OMNI has it all. Designed to give you every advantage, every capability, whatever your operating specialty. Designed to give you new conveniences and new levels of performance. Designed to give you the world of Amateur Radio with a world of difference—the OMNI world of unique features. An unusual combination not found in any other.

**FUNCTIONAL STYLING.** The "look" you requested. "Clamshell" aluminum case clad in textured black vinyl. Complementary nonreflective warm dark metal front panel. Extruded satin aluminum trim bezel and tilt bail. Convenient controls. Fully shielded. And everything in a larger, easier-to-use size: 5 $\frac{3}{4}$ "h  $\times$  14 $\frac{1}{4}$ "w  $\times$  14"d.

**TOTALLY SOLID-STATE.** Sharing the TEN-TEC heritage of solid-state design leadership with its companion transceivers, the highly successful 540/544, OMNI has all the advantages of proven solid-state technology—reliability, long life, cool performance, better stability.

**8-BANDS.** The world now and in the future. OMNI covers 160, 80, 40, 20, 15, and 10 meters now (crystals included for all present Amateur bands, 1.8-30 MHz). And it has convertible 10 MHz and "AUX" band positions for the future.

**BROADBAND DESIGN.** Permits changing bands without tune-up, without danger of out-of-resonance damage to the final stage.

**ANALOG OR DIGITAL READOUTS.** OMNI-A features an analog dial with 1 kHz dial markings. OMNI-D has 0.43" LED readouts with the 5 most significant in red and the 6th in green to show 100 Hz increments.

**BUILT-IN VOX AND PTT.** Smooth VOX action with 3 easy-to-adjust front panel controls. PTT control is available at both front and rear panel jacks; an external microphone switch may be used.

**BUILT-IN SQUELCH.** Unusual in an hf rig, but handy for tuning or monitoring for a net or sked.

**BUILT-IN 4-POSITION CW/SSB FILTER.** 150 Hz bandwidth with 3 selectable skirt contours for optimum CW reception.

**8-POLE CRYSTAL FILTER.** 2.4 kHz bandwidth, 1.8 shape factor.

**SEPARATE MODE SWITCH.** Permits using all filters in any mode.

**2-SPEED BREAK-IN.** Switch to "fast" or "slow" receiver muting to accommodate any band condition or mobile operating.

**2-RANGE OFFSET TUNING.** Switch-select the  $\pm 5$  kHz range for off-frequency DX work or the  $\pm 0.5$  kHz range for fine tuning.

**OPTIMIZED RECEIVER SENSITIVITY.** Ranges from 2 uV on 160 m to 0.3 uV on 10 m (10 dB S+N/N) to achieve ideal balance between dynamic range and sensitivity.

**GREATER DYNAMIC RANGE.** Typically exceeds 90 dB to reduce possible overload from nearby stations. Also includes switchable 18 dB PIN diode attenuator for additional overload prevention.

**WWV RECEPTION.** On the 10 MHz band switch position.

**FRONT PANEL CONTROL OF LINEAR/ANTENNA BAND-SWITCHING.** Auxiliary bandswitch terminals on back panel for simultaneous control of external relays or circuits with the OMNI bandswitch.

**BUILT-IN PHONE PATCH JACKS.** Provide interface to speaker and microphone audio signals for phone patch connection.

**BUILT-IN "TIMED" CRYSTAL CALIBRATOR.** In the OMNI-A a pulsed 25 kHz calibrator desensitizes the receiver and provides an automatic 5 to 10 second "on" time for easy two-hand dial skirt adjustment.

**BUILT-IN ZERO BEAT SWITCH.** Permits placing your transmitted signal exactly on the listening frequencies of CW stations.

**BUILT-IN SWR BRIDGE.** The "S" meter electronically switches to read SWR every time you transmit to provide a continuous antenna check.

**FRONT PANEL MICROPHONE AND PHONE JACKS.**

**ADJUSTABLE AUTOMATIC LEVEL CONTROL.** For setting output power level from low power to full output, for retaining low distortion at desired drive power to linear amplifier.

**SEPARATE RECEIVING ANTENNA CAPABILITY.** Rear panel switch and jack connect receiving section to common antenna or separate receiving antenna. Also acts as receiving antenna by-pass when used with instant break-in linear amplifiers.

**BUILT-IN ADJUSTABLE SIDETONE.** Variable pitch and volume.

**DUAL COMPRESSION-LOADED SPEAKERS.** Larger sound output, lower distortion, no external speaker needed.

**POWER INPUT.** 200 watts when used with 50 ohm load. Proven, conservatively-rated, solid-state final amplifier design with full warranty for first year and pro-rata warranty for 5 additional years.

**100% DUTY CYCLE.** Ideal for RTTY, SSTV, or sustained hard usage.

**PLUG-IN CIRCUIT BOARDS.** For fast, easy field service.

**POWER.** Basic 12 VDC operation for convenient mobile use; external supply required for 117 VAC operation.

**OPTIONAL ACCESSORIES.** As all-inclusive as OMNI is, there are a few options: Model 645 Keyer, 243 Remote VFO, 248 Noise Blanker, 252M Power Supply.

Model 545 OMNI-A \$899 Model 546 OMNI-D \$1069

Experience the world of difference of OMNI, see your TEN-TEC dealer or write for details.

**arma**

**TEN-TEC, INC.**  
SEVIERVILLE, TENNESSEE 37862  
EXPORT 5715 LINCOLN AVE., CHICAGO, ILL. 60648

# TEN-TEC'S NEW OMNI HAS IT ALL



# top-loaded delta loop antenna

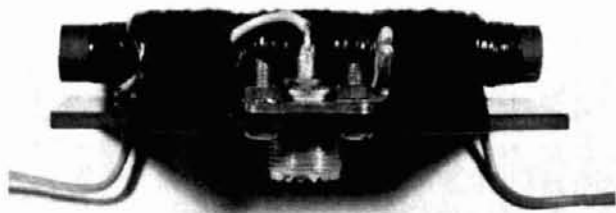
Design and construction  
of an efficient,  
low-frequency,  
vertically polarized  
antenna using  
wire elements

The vertically polarized full-wave loop has emerged as a popular antenna on the low-frequency bands. The most common form of this antenna is the triangular (delta) loop<sup>1,2</sup> with one of its vertices pointing skyward. Such an antenna can be suspended from a single point located on a tower or a tree.

The delta loop antenna is an interesting cousin of the popular inverted-V dipole. It has been around for quite a while and yet provides some pleasant surprises. For those interested in tracing its background I have provided references 1 and 2. Reference 1 is particularly informative and provides polar diagrams of the delta radiation pattern in three planes together with supporting mathematics. These references are available in most of the libraries in large cities.  
Editor, W6NIF

On the 80- and 160-meter bands, height limitations can reduce the effectiveness of the delta loop. This article describes a method for reducing this problem by means of an easily implemented loading procedure. The case of a support height of 20 meters (65 feet) for an 80-meter antenna is shown in **fig. 1**. An interesting aspect of this comparison is that the top-loaded delta loop **fig. 1B** (TLDL) has more gain than a full delta loop. Experience since the end of 1976 at W1DTV has been that the antenna performs as well as an inverted V for short-range contacts and provides one to two S units better performance for DX contacts. In this article, I discuss the evolution of the TLDL and provide detailed design information for an 80-meter TLDL.

Two kinds of vertically polarized antennas are in



Homebrew matching transformer for the top-loaded delta loop antenna.

By Frank J. Witt, W1DTV, 20 Chatham Road,  
Andover, Massachusetts 01810

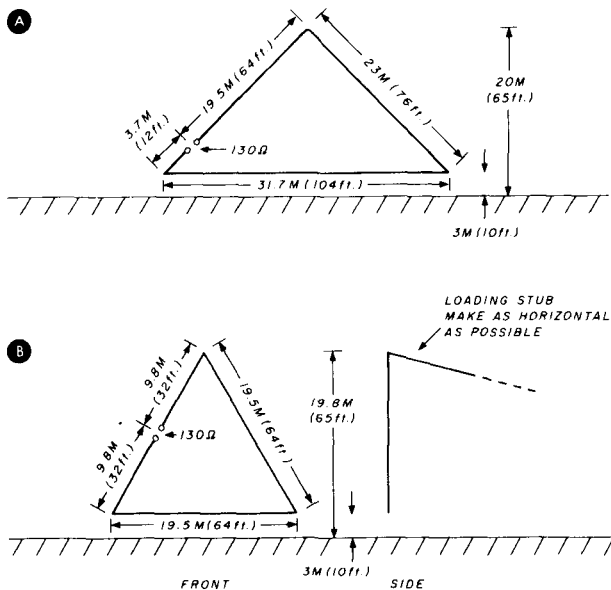


fig. 1. An 80-meter delta-loop antenna with apex at 20 meters (65 feet). Sketch A shows the classic delta loop for 3.825 MHz; B shows a top-loaded delta loop for the same resonant frequency. Loading-stub dimensions are discussed in the text.

common use on the low-frequency bands. One type is suspended above ground and fed directly; the other is erected from ground level and excitation occurs between ground or a simulated ground plane and the antenna. Both antennas would benefit from a highly conductive ground; but in the latter case, since ground resistance appears in series with the antenna at the drive point, efficiency is highly dependent on ground conditions. Therefore, the more successful monopole installations are those that use many radials. The TLDDL is not fed against ground and hence ground plays only the role of a reflector. This is also true of full delta loops and sloping dipoles. Experience has shown that impressive performance may be obtained with such antennas without an elaborate system of radials.

### evolution of the top-loaded delta loop

The signal at a distant point from a part of a transmitting antenna is proportional to the current in that part of the antenna. For a half-wave dipole, for instance, maximum radiation is received from the center of the dipole, where the current is greatest. The radiated contribution from the ends of the antenna is negligible.

The TLDDL concept resulted from a recognition of the fact that for a conventional, vertically polarized delta loop, much of the antenna where high currents exist is horizontal and near ground. The objective of

the TLDDL design is to get these parts of the antenna away from ground and at least partly vertically oriented to increase antenna gain. Fig. 2A shows a typical vertically polarized conventional delta loop designed for 3.825 MHz. Actually, this antenna can only be said to be mostly vertically polarized because of the position of the feed point. True vertical polarization (in a direction perpendicular to the plane of the loop, *i.e.*, the direction of maximum gain) is obtained when the feed point is one-quarter wavelength away from the peak of the triangle as shown in fig. 2B. You can see that the polarization is vertical by noting the current flow; the vertical components from the currents in the two upper sides of the triangle add, while the horizontal components cancel.

The objective of the loading is to "lift" the current nodes higher in the vertical space available for the antenna and to make the vertically radiating sides of the antenna more vertical. Both actions will increase

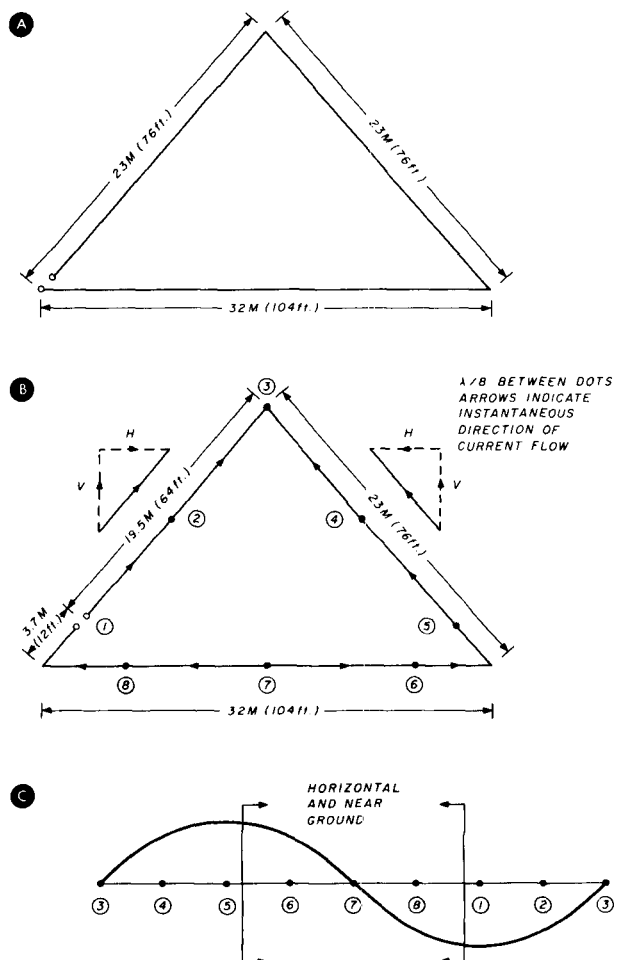
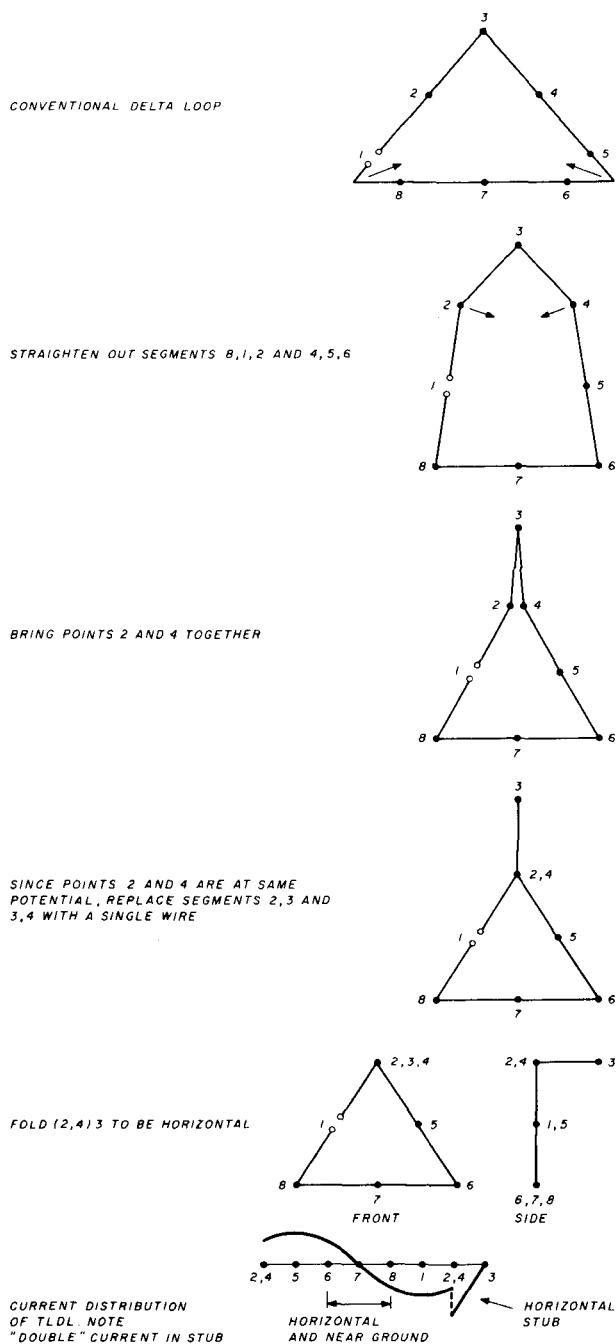


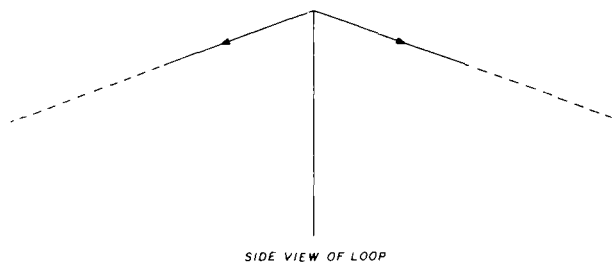
fig. 2. Physical dimensions of a typical corner-fed delta loop antenna (A). True vertical polarization occurs when the feedpoint is one-quarter wavelength from the apex (B). Sketch C shows current distribution.

the low-angle gain for vertically polarized signals. The derivation of the TLDL from a conventional delta loop is shown in **fig. 3**.

The feedpoint resistance for both a conventional delta loop and a TLDL has been measured at W1DTV to be 130 ohms. From this information and from the



**fig. 3.** How the top-loaded delta loop (TLDL) is derived from the conventional delta loop. The top loading makes the current nodes higher with respect to ground and increases the vertical polarization from the antenna sides. This improves low-angle radiation.



**fig. 4.** Method of adding the stubs on both sides of the delta loop to reduce horizontally polarized radiation.

geometry of the two antennas (and if one assumes sinusoidal current distribution), the TLDL has a gain of 2.3 dB over a conventional delta loop. The dimensions of **fig. 1** have been assumed for this calculation. See reference 3 and **fig. 4** for an explanation of the methods used to arrive at this result.

The TLDL is truly vertically polarized in a direction perpendicular to the plane of the loop. It is mostly vertically polarized in other directions and exhibits an almost omnidirectional pattern.

### loading stub

The loading (or matching) stub is shown in **fig. 3** to be horizontal, but this is rarely possible. At W1DTV it runs to the farthest point on the property and makes about a 60-degree angle with the plane of the loop. The stub should be  $\lambda/8$  or 9.8 meters (32 feet) at 3.825 MHz. However, it was necessary to lengthen it to 13 meters (43 feet) for resonance at that frequency. The probable reason for this is that the stub is severely folded back toward the loop; the consequent detuning is overcome by lengthening the stub. This effect is observed in inverted V antennas, where the length must be made longer than would be necessary for a straight dipole.

The stub could be added on both sides of the loop as shown in **fig. 4**. This would virtually eliminate the effect of the stub on the radiated pattern. This method hasn't been tried, and the practical effects are unknown.

The stub can be shortened considerably by means of a loading coil installed in series with the stub at the point where the stub is connected to the triangle apex. See **fig. 5**. The 13-meter (43 foot) stub was reduced to 4.9 meters (16 feet) by the use of a 32- $\mu$ H loading coil. The loading coil reduces radiation from the stub, but it results in a reduction in antenna bandwidth. The loading coil is a B&W 3029/3905-1,\* which is 63.5 mm (2 1/2 inches) diameter by 254 mm

\*Barker and Williamson, Inc., Canal Street and Beaver Dam Road, Bristol, Pennsylvania 19007.

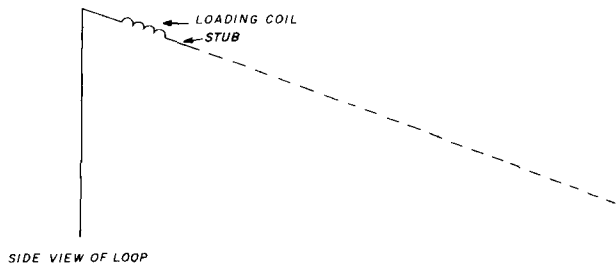


fig. 5. Using a loading coil to reduce stub radiation.

(10 inches) long (6 turns per 25 mm). This coil with the 4.9-meter (16-foot) stub allows the TLDL to resonate anywhere in the 80-meter band by changing the tap position.

### matching methods

A common method for feeding delta-loop antennas is to use a quarter wavelength of 75-ohm transmission line between a 50-ohm transmission line and the feedpoint. For a feedpoint resistance of 130 ohms, the vswr at resonance would be

$$\frac{130}{75^2/50} = 1.16:1 \quad (1)$$

which is quite acceptable. Since the conventional delta loop and the TLDL are essentially balanced antennas, it's desirable to use a 1:1 balun at the antenna to prevent antenna currents on the coax feedline.

At W1D7V, a transformer (shown in fig. 6 and the photo) accomplishes both impedance matching and the unbalanced-to-balanced transformation; it handles the legal power limit quite satisfactorily. The transformer has been evaluated only on 80 meters, but the design could be trimmed to work over several bands. See reference 4 for details on optimizing such designs.

### voltage standing-wave ratio

The vswr using the transformer of fig. 6 and 50-ohm coax is shown in fig. 7 for the conventional delta loop, the TLDL using a wire stub only, and the TLDL with a wire stub and loading coil. Note that an excellent midband match is obtained for all three cases, but the bandwidth depends on the configuration. The bandwidth of the worst TLDL case (using the loading coil) is substantially better (6.6 times wider) than that of a loaded 20-meter (66-foot), 80-meter sloping dipole,<sup>5</sup> which would require about the same mounting height. The vswr plot of the latter is also shown in fig. 7 for comparison.

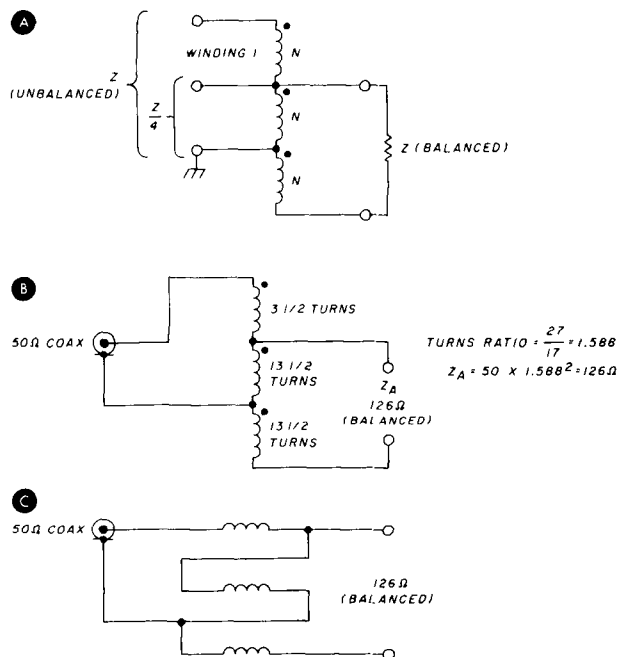
Note from fig. 7 that the vswr of the TLDL with a loading coil is not unity. The reason is that the inductive loading modifies the current distribution at the

top of the antenna, and the feedpoint resistance is changed. For the purist, a more optimum transformer for this case would be one where the 3-1/2-turn winding of fig. 6 is reduced to 2-1/2 turns. In all cases, the installation involved a steel tower with the antennas supported 1.2 meters (4 feet) from the tower on a boom at the 19.8-meter (65-foot) level. All guy wires were broken with insulators to avoid resonance, and no guying was used above the 10.7-meter (35-foot) level.

### concluding remarks

The TLDL antenna performs as well as other similar antennas requiring higher points of support. The design is based on the positioning of the high-current parts of the antenna so that they will provide a primarily vertically polarized radiated signal. The TLDL has substantially more bandwidth than its nearest low-height competitor, the  $\lambda/4$  sloping dipole (loaded). Calculations indicate that the antenna should be a good performer, and on-the-air experience has substantiated these results.

A point of caution — if you try this antenna, or any new antenna, take steps to convince yourself that



WIRE: 1mm (AWG 18) HOOKUP WIRE

CORE: AMIDON FERRITE ROD, 12mm DIAMETER, 100mm LONG,  $\mu = 125$  (AMIDON ASSOCIATES, 12033 OTSEGO STREET, NO. HOLLYWOOD, CA, 91607)

CONSTRUCTION: 13 1/2 TRIFILAR TURNS WITH 10 TURNS REMOVED FROM ONE WINDING. WRAP WITH VINYL ELECTRICAL TAPE AND TAPE TO THE FEEDPOINT INSULATOR. NO OTHER PROTECTION NECESSARY.

fig. 6. Construction of the matching transformer for the top-loaded delta loop antenna. Sketch A shows the basic principle. Any impedance ratio between 1:1 and 1:4 may be obtained by tapping winding 1. The basic configuration is shown in B. Sketch C shows the schematic and winding logic.

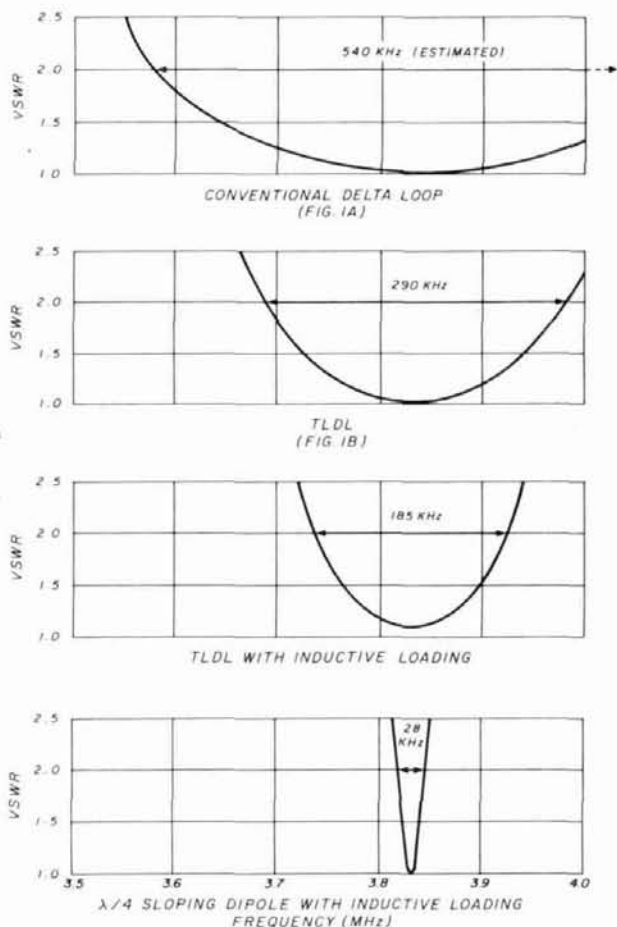


fig. 7. Voltage standing wave ratio and bandwidth of the conventional delta loop, the TLDL, the TLDL with inductive loading, and a quarter-wavelength sloping dipole antenna with inductive loading. Resonant frequency is 3.825 MHz in this model.

other nearby antennas are not significantly influencing its behavior. A considerable amount of interaction between a TLDL, an inverted V, and a sloping dipole, all supported by the same tower, has been observed. The data in this article were taken with the inverted V and sloping dipole removed from the tower.

### references

1. H. E. Green, "On the Delta Aerial," *IEEE Transactions on Antennas and Propagation*, January 1963, pages 98-100.
2. J. S. Hall, "Nonresonant Sloping Vee Aerial," *Wireless Engineer*, vol. XXX, September 1953, pages 223-226.
3. F. Witt, "Simplified Antenna Gain Calculations," *ham radio*, May 1978, page 78.
4. J. Sevick, "Broadband Matching Transformers Can Handle Many Kilowatts," *Electronics*, November 25, 1976.
5. G. Hall, "Off-Center Loaded Dipole Antennas," *QST*, September 1974, pages 28-34, 58. (The antenna shown in fig. 5 of the referenced article is the one referred to as the  $\lambda/4$  dipole. It's a popular radiator for sloping-dipole installations.)

ham radio

# HEATH CW Ops **NEW!** Join the YAESU-KENWOOD CROWD!

250 & 400 Hz 8-pole xtal filters  
WIN YOUR BATTLE AGAINST QRM  
GET THE BEST AND SAVE



**ONLY \$55**  
AIRMAIL POSTPAID  
OVERSEAS ADD \$3

"Fantastic!" is the word K2TK uses in summarizing the performance of the new Fox-Tango 8-pole 250 Hz CW crystal lattice filter in comparison with that of his standard 4-pole Heath unit. "Remarkably free from ringing... exceptional ultimate rejection... superior shape factor... easy installation..." are other quotes from his enthusiastic report. While gratifying, his remarks come as no surprise — they merely echo those of hundreds of satisfied Yaesu and Kenwood purchasers of Fox-Tango filters who have decided to up-grade their present sets instead of purchasing new ones at today's inflated prices.

Fox-Tango filters are designed to match the mounting holes in the most popular Heath rigs like the HW-101, SB-301, etc., exactly. For the others, the drilling of a few small holes will pose no problem for Heath owners who have "built their own". K2TK mounted his new 250 Hz unit in the space reserved for an AM filter in his SB300 thus making use of existing front panel controls for selecting either of his two CW filters. For those whose models lack this facility, it will be easy to improvise mechanical or electromagnetic switching arrangements if dual filters are desired. Of course, for those satisfied with one filter, installation usually consists of tightening two nuts and soldering two connections.

Our complete line of filters is listed below. Note that we offer both 250 and 400 Hz bandwidths for Heath rigs. Although the latter appears to be the same as the standard Heath CW filter, the difference in 8-pole performance has to be heard to be believed. The 400 Hz unit is ideal for routine CW operation even though it lacks the needle-sharp response (and critical tuning requirements) of the 250 Hz filter.

All units are \$55 except as indicated. Order with confidence — satisfaction is guaranteed.

Rig	Filter No. YF	Used for	Center Freq. kHz	No. of Poles	Band Width	Notes
YAESU SERIES	FT-101	31H250 CW	3179.3	8	250 Hz	Sharp unit for DX and contest work. Use instead of standard 600 Hz unit. Same as standard XF-30C unit, \$45. For narrow SSB to reduce QRM. Substitutor for XF-30A (6 pole) in early units. Same as standard XF-30B unit, \$45.
	FR-101	31H500 CW	3179.3	8	500 Hz	
		31F600 CW	3179.3	6	600 Hz	
		31H1.8 SSB	3180	8	1.8 kHz	
		31H2.4 SSB	3180	8	2.4 kHz	
	31F6.0 AM	3180	6	6.0 kHz		
YAESU SERIES	FT-7	89H250 CW	8999.3	8	250 Hz	Sharp unit for DX and contest work. Use instead of standard 600 Hz unit. For narrow SSB to reduce QRM. For use in speech processor.
	FT-301	89H500 CW	8999.3	8	500 Hz	
		90H1.8 SSB	9000	8	1.8 kHz	
		90H2.4 SSB	9000	8	2.4 kHz	
HEATH	FT-901	89H250 CW	8988.3	8	250 Hz	Sharp unit for DX and contest work. Use instead of standard 600 Hz unit.
		89H500 CW	8988.3	8	500 Hz	
KENWOOD	TS-520	33H250 CW	3395	8	250 Hz	Sharp unit for DX and contest work. Use instead of standard 500 Hz unit. For narrow SSB to reduce QRM.
	R-599	33H400 CW	3395	8	400 Hz	
		33H1.8 SSB	3395	8	1.8 kHz	
HEATH	TS-620	88H250 CW	8830.7	8	250 Hz	Sharp unit for DX and contest work. Use instead of standard 500 Hz unit. For narrow SSB to reduce QRM.
		88H400 CW	8830.7	8	400 Hz	
		88H1.8 SSB	8830.0	8	1.8 kHz	
HEATH	SB/HW104	33H250 CW	3395.4	8	250 kHz	Sharp unit for DX and contest work. Use instead of standard Heath CW filters.
		33H400 CW	3395.4	8	400 kHz	

To avoid error due to similarity of some filter numbers, specify desired unit completely when ordering. Include make and model of set, filter number, and center frequency.

**Diode Switching Boards** permit easy mounting (without drilling) of up to two crystal filters of any type in addition to those for which the manufacturer provides space. These boards will accommodate any of the filters listed except Heath. Specify make of set with which board is to be used. \$20 airmail postpaid.

VISA and Master Charge accepted.



**FOX-TANGO CORP.**  
Box 15944, W. Palm Beach, FL 33406



## updating the vacuum-tube receiver

Rejuvenate that old  
vacuum-tube receiver  
by replacing  
the tubes with  
equivalent transistor stages

All of the communications receivers made in the 1940s and 1950s, and most of those made in the 1960s, were vacuum-tube designs. Receivers manufactured during those decades were intended for the amateur modes then popular — a-m and CW — and they usually performed quite well on a-m. Inclusion of the beat frequency oscillator made possible reception of ssb and CW, but, by today's standards, much was left to be desired. These older receivers can often be picked up at flea markets or swap meets for a small fraction of their original cost and, properly modernized, can be made to equal or even surpass

the performance of new models selling at many times the price.

Probably the two worst shortcomings of older tube-type receivers are their lack of selectivity and their warm-up drift. The drift results mainly from temperature changes brought about by the large amount of heat generated by the tubes. Although much can be done with tube receivers to minimize temperature drift,<sup>1</sup> the best solution is to abandon tubes altogether and substitute transistors. Modern field-effect transistors have characteristics so similar to those of tubes that often a direct one-for-one replacement is possible with only minor circuit and supply voltage changes.

Any of several possible routes can be taken when transistorizing a tube receiver. Probably the most conservative (some would say cowardly) approach is to proceed one stage at a time; that is, substitute a transistor circuit for a vacuum tube stage and perfect its performance before moving on to the next stage. This strategy makes debugging easy, but, because of different impedance and signal levels, tubes and transistors do not always interface easily. Sometimes

By Fred Brown, W6HPH, 1169 Los Corderos,  
Lake San Marcos, California 92069



a transistor stage will have to be modified when a following or preceding stage is changed over from tube to transistor.

Next to frequency drift, the greatest shortcoming of these old a-m receivers is usually their poor skirt selectivity. The old single-pole crystal filters and  $Q$ -multipliers gave good selectivity at about 6 dB down, but the skirts were very wide at 30 to 60 dB down. The rectangular passband so necessary for today's ssb communications calls for a mechanical or multi-pole crystal filter.

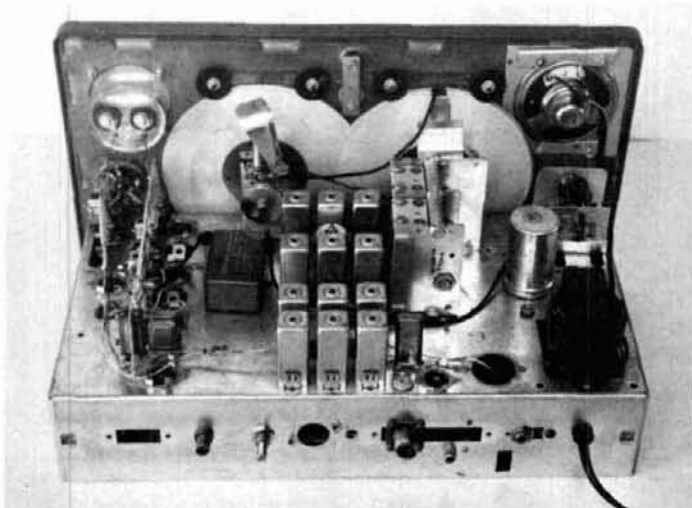
If your receiver is a single-conversion general-coverage type, you will probably have to stick with the original intermediate frequency. This means a mechanical filter if the i-f is below 1 MHz. A ham-band-only receiver, however, can be converted to practically any intermediate frequency so long as the i-f does not lie inside or near an amateur band. (It's very hard to make a superhet that will tune through its own intermediate frequency.)

Generally speaking, a high intermediate frequency is to be preferred, because it improves image rejection. Furthermore, if the local oscillator operates on the low side of the signal, a high i-f means a lower LO frequency, and this contributes to frequency stability. Today, the availability of high-frequency multi-pole crystal filters makes possible single conversion designs with high intermediate frequencies, thereby avoiding the spurious response, birdie, and cross-mod problems of dual-conversion designs.

### modernizing the HQ110A

To start this project, I tore out all the old circuits and started with a clean slate, leaving intact only the front-end tuned circuits and bandswitch. Most of the

Rear view of the HQ110A. The i-f amplifier, detector, first audio, and S-meter circuits are built on the circuit board that runs along the left side of the chassis.



tube sockets were left, as they make handy tie-points for the new wiring. There is something to be said for building from the ground up, but most of the work with sheet-metal and the mechanical drudgery is avoided if you rebuild a commercial receiver. Also, it is hard for the average amateur to duplicate the professional appearance and calibrated dials of a manufactured receiver.

The HQ110A is a good example of how an intermediate frequency can be radically changed. Originally, the receiver was dual conversion on all bands above 80 meters, with a first i-f of 3035 kHz and a second i-f of 455 kHz. I happened to have a McCoy Golden Guardian 9-MHz ssb filter. I wanted to move the i-f to this frequency and make the receiver single-conversion on all bands. This took some doing; it meant all the original i-f transformers had to be scrapped, and all the local oscillator coils rewound. The result was worth it. The transistorized receiver has much better selectivity, frequency stability, and image rejection than the original. And the existing dial calibration holds on every band, even better than in the tube version.

**Power supply and audio.** A good place to start your conversion to solid state is in the power supply; you won't be able to try out any transistor circuits without low-voltage dc. Although the old power transformer will be less than ideal for a transistor power supply, it is possible to obtain low voltages from the 5.0- and 6.3- volt filament windings. For instance, a full-wave rectifier on the 6.3-volt winding will provide 9 volts dc, and a full-wave doubler about 18 volts dc. In this receiver, however, I replaced the old power transformer with a more appropriate one having a 16-volt center-tapped secondary.

Both positive and negative supplies were needed, since dual-gate MOSFETs, like vacuum tubes, normally require a negative AGC voltage. Although it is possible to use FETs with positive-only voltages, the AGC system is simplified if a negative supply is available.

The positive supply (see **fig. 1**) is filtered by a conventional L-C filter which uses an 88-mH toroid for a filter choke. The resulting unregulated 19 volts is used for the audio output stage and diode bias. A conventional emitter-follower regulator, Q1 and CR5, is used to regulate the positive supply to +12 volts dc for the remainder of the receiver.

Most designers would use a class B integrated circuit for the audio output, but I prefer the class A arrangement shown in **fig. 1**. This circuit has proven reliable in many different applications. It has excellent dc stability due to the negative-feedback biasing arrangement, and low distortion because of the negative-audio feedback around the output transformer.

**Detector, i-f, and AGC systems.** The 9-MHz i-f signal from the McCoy filter is applied to the first i-f stage, Q5. This common emitter stage is R-C coupled to the dual-gate MOSFET second i-f stage. R-C coupling is used for simplicity and to avoid the need for neutralization. The added gain that could be obtained from transformer coupling was not needed.

The i-f transformers, T3, T4, and T5, are ordinary fm transistor radio transformers which are shunted

time to avoid "popping" at the beginning of a word. One inherent limitation on attack time is the delay caused by the crystal filter. Envelope delay time in a bandpass filter is determined by the skirt steepness ratio: the steeper the skirts, the longer the delay. The McCoy filter, having exceptionally steep skirts, has an inordinately long delay time, and for this reason it was not possible to use as much AGC feedback around the filter as would have been desirable. The

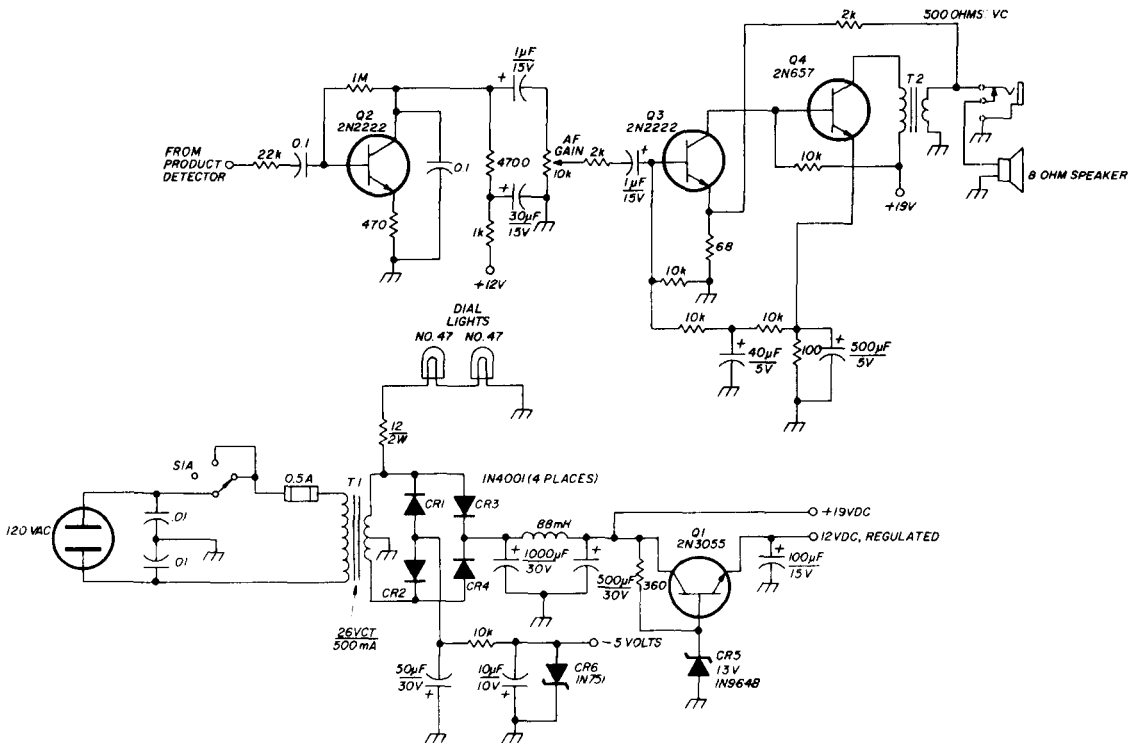


fig. 1. Schematic diagram of the revised power supply and audio circuit. Q1 and Q4 should be mounted on heatsinks. The audio stage will provide 100 mW of undistorted audio output. In addition, the use of Class-A transistors vs. an IC may prevent destruction of the devices if the output is shorted.

with sufficient capacity to resonate at 9 rather than 10.7 MHz. The different resonating capacitors are due to the use of different brands of transformers.

The third i-f stage is an emitter-coupled pair, Q7 and Q8. The emitter of Q7 also drives the AGC amplifier, Q9 and Q10. It was not possible to derive the AGC signal from the collector circuit of Q8 because the BFO signal is too strong at this point and would swamp the AGC. An audio-derived AGC system would have been easier, but in this receiver I wanted AGC that would work on a-m carriers.

The AGC signal is rectified by CR9, with the resulting dc applied to Q11. An emitter follower is used because its low output impedance allows C1 to quickly charge through CR10. In any single-sideband AGC system it is important to have a short attack

AGC control voltage to the r-f and mixer stages (AGC 2) is attenuated by the voltage divider, R4-R5. In addition, AGC 2 also controls the S-meter driver through the S9 adjustment pot R4.

The product detector, CR7-CR8, requires push-pull BFO drive which is provided by the center-tapped secondary of T6. The BFO is switched by means of diode switches for upper or lower sideband.

**Local oscillator.** In the interest of best frequency stability, the local oscillator operates on the low frequency side of the signal on the 20-, 15-, 10-, and 6-meter bands. On 160, 80, and 40 meters, the oscillator is 9 MHz higher than the signal frequency. This arrangement automatically takes care of sideband switching; upper sideband is received on 20 meters

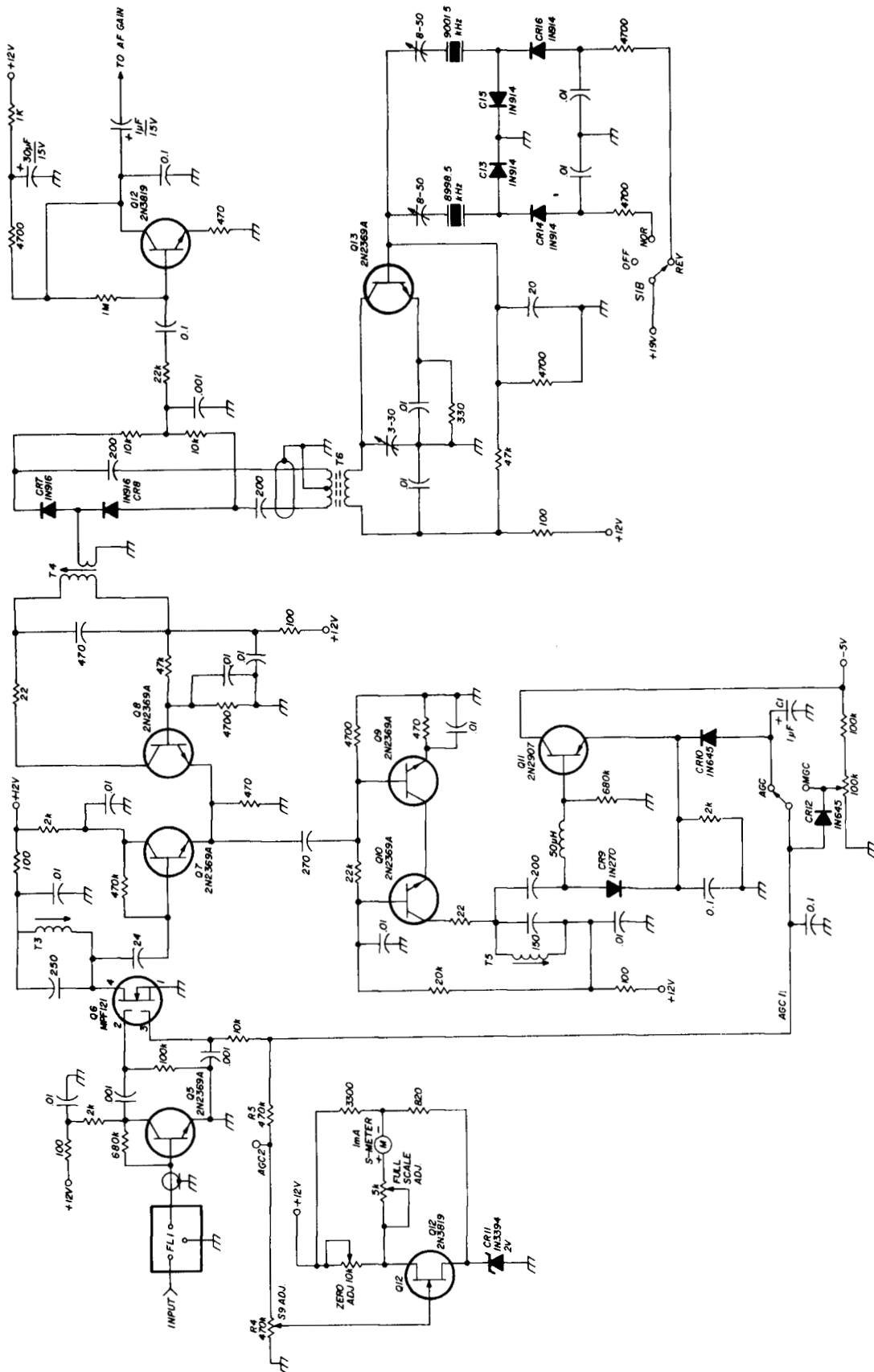
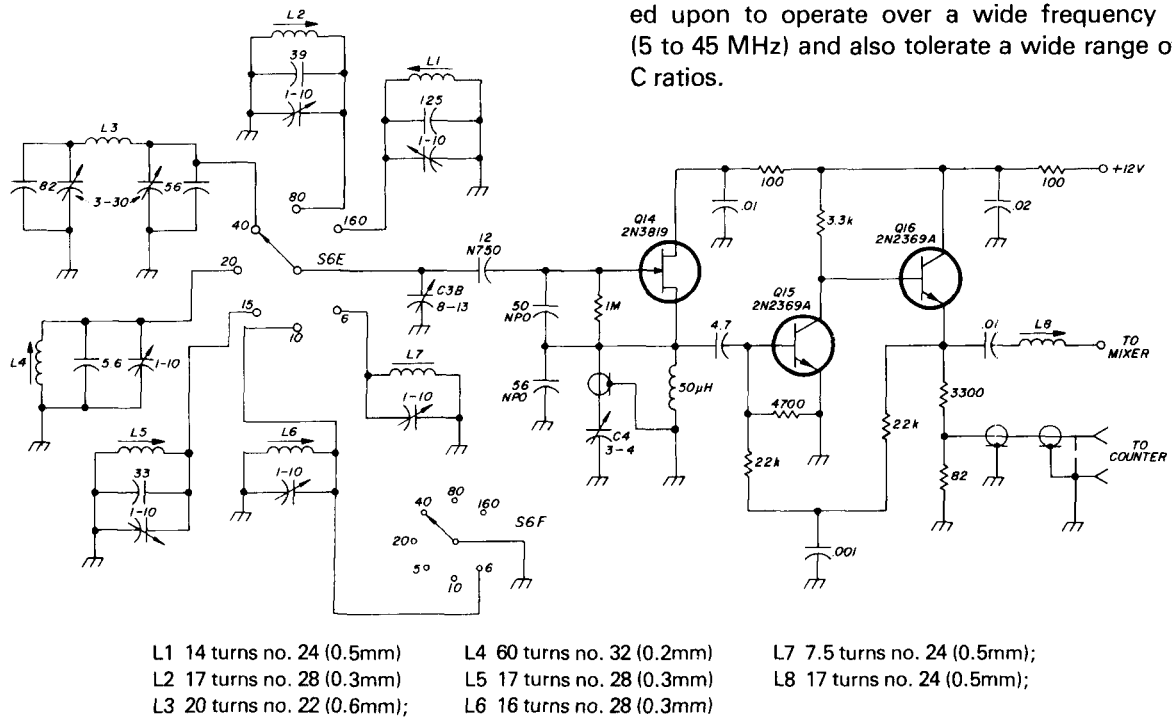


fig. 2. Diagram of the i-f amplifier, detector, BFO, AGC, and S-meter circuits. FL1 is a McCoy Golden Guardian 9-MHz ssb filter. T3, T4, and T5 are 10.7 MHz i-f transformers from fm-style radios. In the case of T3 and T5, where only one winding is shown, the primary and secondary have been connected in series so as to provide maximum inductance. T6 is wound on a T-50-2 core with 33 turns of no. 30 (0.25mm) AWG on the primary and 8 turns of 8 turns of no. 30 (0.25mm) AWG on each side of the center tap for the secondary. Normally, R4 is used to set the S-meter for an S9 indication with 100  $\mu$ V applied to the receiver.

and the higher bands and lower sideband on 40 meters and lower, as is the accepted standard. The BFO switch can therefore be labeled NORMAL and REVERSE without any reference to the bandswitch position.

**Table 1** gives the required oscillator tuning range of each amateur band. On three bands — 20, 15, and 10 meters — the HQ110A dial calibration is wider



**fig. 3.** In the local oscillator, C3B is one section of the main tuning capacitor. Inductors L1, L2, L4, L5, and L6 are wound on the original 6.5 mm (1/4") slug-tuned form; L3 is wound on a T-68-6 toroid; L7 and L8 are wound on 6.5 mm (1/4") slug-tuned forms. Most of the components can be mounted on a small circuit board.

than the amateur band limits. **Table 1** also gives the LO tuning range as a percentage of the lowest oscillator frequency on that band. Notice that the percentage tuning range varies from a maximum of 10.53 per cent on 10 meters to a minimum of 1.85 per cent on 160 meters. The oscillator percentage tuning range is determined by the amount of fixed capacity which shunts the tuning capacitor; the smaller this capacity, the greater the range.

To make the dial calibration come out right, both the inductance and shunt capacitance of the LO tank must be correctly chosen. In the HQ110A, the oscillator tuning capacitor (only one of two sections is used) has a minimum capacitance of 8 pF and a maximum of 13 pF, or a range of only 5 pF. This capacitor must be shunted with a total of about 134 pF to provide the 1.85 per cent tuning range for the 160-meter band (10.8 to 11.0 MHz). On ten meters, however, the tuning range expands to 10.53 per cent, and the

total shunting capacitance must be reduced to a mere 23 pF. This 23 pF includes the 8 pF minimum of the tuning capacitor, and a few pF of stray and coil-distributed capacitance, and a few pF for the trimmer. When all this is added up, the shunting capacitance left for the remainder of the circuit will have to be limited to a maximum of about 12 pF in order not to exceed the 23-pF total. This is one restriction on the oscillator circuit. In addition, the oscillator is called upon to operate over a wide frequency range (5 to 45 MHz) and also tolerate a wide range of L to C ratios.

Many different oscillator circuits were tried in search for one that would meet these stringent requirements and would also be stable in frequency. The circuit shown in **fig. 3** worked best. It is an fet version of the Seiler oscillator,<sup>2</sup> followed by a two-stage buffer amplifier. **Table 1** shows the excellent frequency stability of this oscillator for supply voltage changes of one volt (from 11.0 to 12.0 volts). Since the 12-volt supply is fairly well regulated, it's possible to vary the line voltage from 80 to 130 volts ac with no noticeable change in beat note. Try to do that with your tube receiver!

Theoretically, this circuit will oscillate with any L to C ratio in the tuned circuit. The only limitation on L-to-C ratio is Q; the lower the ratio, the higher the tank circuit Q must be to sustain oscillation. The lowest L-to-C ratios occur on those bands with the smallest percentage tuning range, 160 and 40 meters. On 40 meters, it was not possible to get enough

Q with the original 6.5-mm (0.25-inch) slug-tuned coil form. Therefore, a toroidal coil was used for this band. Since toroids are not adjustable, the circuit arrangement shown in the schematic was adopted. The capacitor in series with the coil (C2) effectively trims the inductance.

On 160 meters, it was possible to wind the coil on the original coil form and still get enough Q, but just barely. All the other coils, except 6 meters, are wound on the original forms and mounted in the original shield cans.

Notice in **fig. 3** that the 10-meter coil is shorted by S6F when the bandswitch is in the 6-meter position. This is because the ten-meter coil happened to resonate near 42 MHz, which, unfortunately, was within the oscillator tuning range on the 6-meter band and caused a back "suck-out" as the oscillator was tuned past this resonant frequency. Also, unfortunately, there was no unused contact on the bandswitch in the 6-meter position, so one had to be added to do this shorting job. This, however, was the only modification that was necessary to the original bandswitch.

The untuned buffer amplifier is made up of a common-emitter stage (Q15), for amplification, directly coupled to an emitter follower (Q16) for low output impedance. As with any amplifier, there is an upper-frequency limit where gain begins to fall off. In this case, output is down about 3 dB at 19 MHz (10 meters), but on 41 MHz (6 meters), it is down about 12 dB. For this reason, a compensating coil (L8) is placed in series with the output. This inductance forms an L network in conjunction with the mixer input capacitance, thereby boosting the 41-MHz LO voltage at the mixer gate. On the lower bands it has little effect.

The 82-ohm resistor in series with the emitter resistor of Q16 delivers a local oscillator signal to a phone jack located on the rear apron of the chassis. By plugging a frequency counter into this jack, you can have a poor-man's digital readout. Of course, it is necessary to add or subtract 9 MHz from the counter reading, but in practice it is easier to simply ignore the digits to the left of the decimal point and mentally substitute the appropriate digits for the band being received. For example, the receiver is on forty meters and the counter reads 16.238. Obviously, this means 7.238 MHz. Remember also, that the counter reading corresponds to the center of the passband, which is typically 1500 Hz higher or lower than the carrier frequency, depending on which sideband is being received.

The tuning rate of the HQ110A was a bit fast for ssb, especially on 10 and 6 meters. For this reason, a clarifier, or ultra-fine tuning control (C4 in **fig. 3**) was

added to the LO circuit. This variable capacitor is mounted in the hole formerly occupied by the function switch and is turned by the large, function-switch knob, which is ideal for the purpose.

A very small capacitance range is needed for the clarifier capacitor. It could have been made from a small variable by removing all but two plates, but in

**table 1. Frequency ranges for the new local oscillator in the rebuilt HQ110A.**

band MHz	oscillator range MHz	oscillator percentage range	oscillator stability Hz/volt	clarifier range Hz
1.8 - 2.0	10.8 - 11.0	1.852	169	420
3.5 - 4.0	12.5 - 13.0	4.0	225	870
7.0 - 7.3	16.0 - 16.3	1.875	165	510
14.0 - 14.4	5.0 - 5.4	8.0	340	1100
21.0 - 21.6	12.0 - 12.6	5.0	257	1000
28.0 - 30.0	19.0 - 21.0	10.53	400	3200
50.0 - 54.0	41.0 - 45.0	9.76	280	7300

my case it was fabricated from the remains of an old wire-wound pot. The resistance element and wiper arm were removed and a semi-circular plate was soldered to the rotor shaft. Another semi-circular plate was fastened to the Bakelite case to form the stator. The resulting capacitor has a range of only 1 pF and produced the frequency ranges given in the fifth column of **Table 1**.

**rf and mixer stages.** Because dual-gate MOSFETs make such ideal replacements for pentode vacuum tubes, no radical changes were necessary in the receiver rf and mixer stages shown in **fig. 4**. None of the antenna or rf stage coils were changed, with the exception of the tap on the six-meter antenna coil: it was moved up to three turns above ground. Both rf and mixer stages, Q17 and Q18, are RCA40673 dual-gate MOSFETs. For simplicity, coils for only the 6-, 10-, 15-, and 20-meter bands are shown in **fig. 4**. Experimentally, it was found that receiver sensitivity on these four bands could be optimized for a 50-ohm antenna by placing a proper size capacitor in series with the antenna input.

When the receiver is tuned to 28.0 MHz, the image frequency happens to be 10.0 MHz, a fact that is exploited with a minimal increase in complexity to provide 10-MHz reception of WWV. For WWV, S5 in **fig. 4** shunts the 10-meter rf stage coil with trimmer C5. This capacitor resonates the 28-MHz coil down to 10 MHz, with the WWV signal from the antenna coupled into the mixer through the series-tuned circuit, L9-C6. The rf stage is not used in this mode; WWV is normally so strong that an rf stage is not really needed.

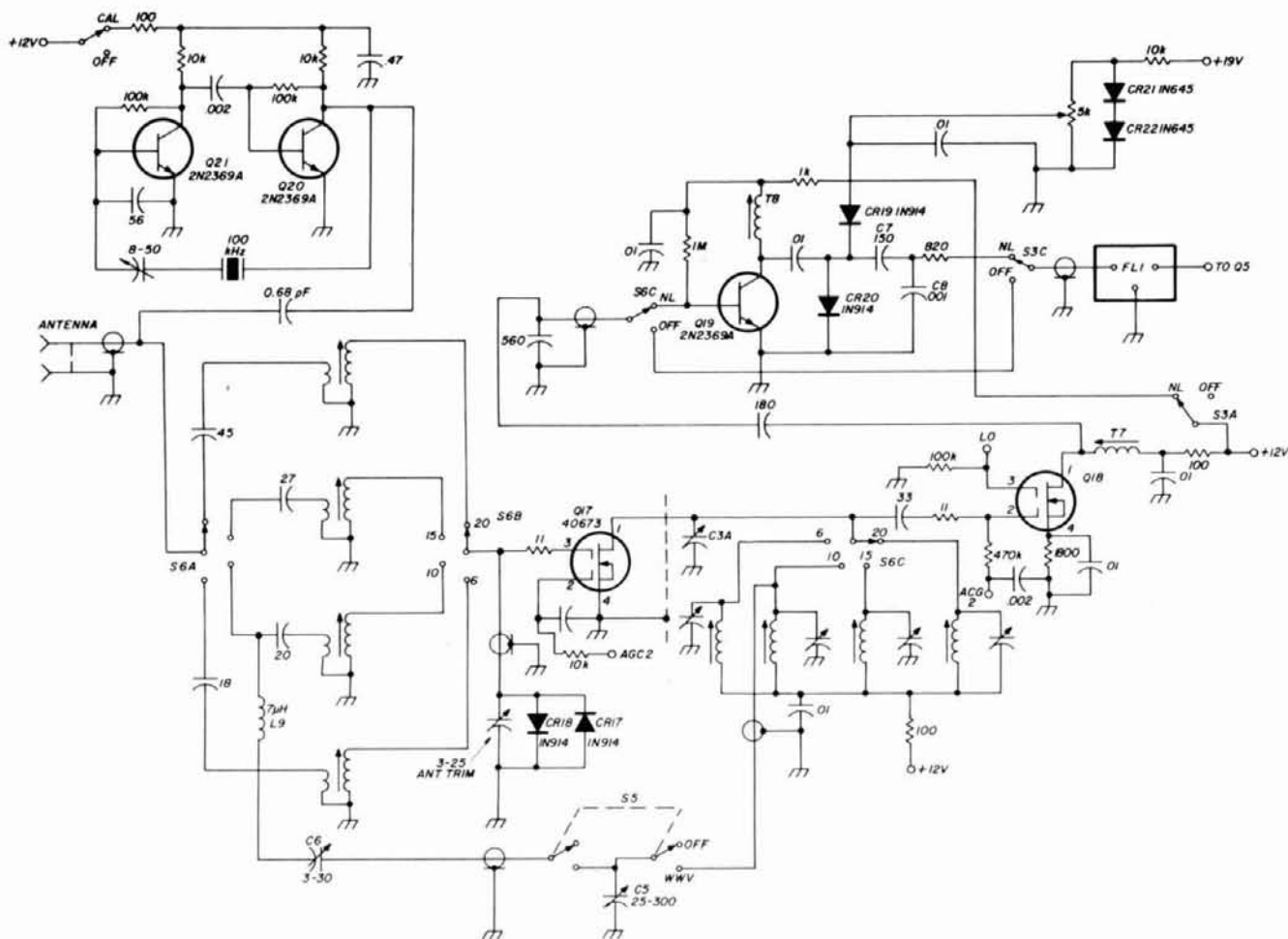


fig. 4. Schematic diagram of the rf, mixer, noise limiter, and crystal calibrator circuits. The antenna and rf stage coils and trimmers are unchanged from the original receiver. For simplicity, only four bands are shown. L9 is 7  $\mu$ H, made by close winding 30 turns of no. 24 (0.5mm) AWG wire on a 4-mm (5/32-inch) diameter ferrite rod.

**Noise limiter and crystal calibrator.** I wanted some kind of first-line defense against impulse noise without resorting to all the complexity of a noise blanker. Thus, the simple noise limiter in **fig. 4** was included. In order to be effective, the limiter should clip the noise pulses before they become stretched out by the crystal filter.

The limiter was placed between the mixer and sideband filter and has the option of being switched in or out. The common-emitter stage, Q19, amplifies the noise pulses up to a level where they can be clipped by the shunt limiter, CR19-CR20. These silicon diodes are biased by R6 to a point where they are just beginning to conduct. After being clipped, the signal is brought back down to its original level by means of the capacitive voltage divider, C7-C8.

I make no claim that this limiter can compete with a good noise blanker, but it can make the difference between copy and no-copy. Only high-amplitude noise pulses are clipped. It takes about 50 microvolts at the antenna before clipping begins to occur. This means weak noise pulses are unaffected, but the

weak pulses are not normally a problem because they are reduced in amplitude after being stretched out by the i-f filter. For best results, the AGC should be turned off when using the noise limiter.

Of course, the greatest shortcoming of this type of limiter is that it is highly susceptible to cross-mod from strong in-band signals. If you have both high noise and strong signals at the same time, you must choose between cross-mod and impulse noise, depending on which is worse.

The 100-kHz crystal calibrator, Q19 and Q20, uses the original 100-kHz crystal and trimmer capacitor. The circuit is patterned after one in the Atlas 210X; it provides plenty of harmonic strength right up through 54 MHz.

## references

1. Fred Brown, W6PH, "Souping Up the Old Receiver," *CQ*, January, 1970, page 15.
2. E. O. Seiler, W8PK, "A Low-C Electron-Coupled Oscillator," *QST*, November, 1941, page 26.

ham radio

UPGRADE TO AN EXTRA CLASS SIGNAL

# ATB-34

**THE COMPLETE 3 BAND ANTENNA**

**BY**



# cushcraft

CORPORATION

**IN STOCK WITH YOUR LOCAL DEALER**

**IN CANADA:**

**SCOTCOMM RADIO LTD. - 4643 Levesque Blvd. - Chomedey, Laval, Quebec**

**WORLDWIDE:**

**MAGNUS - 5715 North Lincoln Ave. - Chicago, Ill., U. S. A. 60659**

**P.O. BOX 4680, MANCHESTER, N. H. 03108**

# YOU ASKED FOR IT YOU GOT IT DSI QUIK-KIT®

## 550 MHZ COUNTER KIT Performance You Can Count On



### OPERATES ON

- Batt 6-C Size
- DC 8.2 To 14.5 VDC
- AC Batt. Eliminator

# \$99.95

MODEL 3550 KIT

### DSI OFFERS THE BEST OF TWO WORLDS . . .

An unprecedented DSI VALUE . . . in a high quality, LSI Design, 550 MHZ frequency counter kit. And, because it's a DSI innovation, you know it obsoletes any competitive makes, both in price & performance. The basic 550 MHZ counter & time base are factory assembled, tested and burned-in. The problems of bad LEDs, IC's, capacitors, are a thing of the past with DSI QUIK-KIT®. But you can take pride in assembling the power supply, PC mounted selector switch, input connectors, and the final mechanical assembly of your 550 MHZ counter, into its' handsome cabinet. **GO WITH THE LEADER . . . BUY A DSI FREQUENCY COUNTER KIT. SAVE TIME & MONEY AND BE ASSURED IT WILL WORK THE FIRST TIME.**

### SPECIFICATIONS

**Time Base** TCXO 1PPM 65° to 85°F  
**Frequency Range** 50HZ to 550MHZ  
**Resolution** 1HZ to 55MHZ, 10HZ to 550MHZ  
**Gate Time** 1 second - 1/10 second  
**Sensitivity** 25MV 150 & 250MHZ 75MV 550MHZ  
**Display** Eight 1/2-inch LEDs  
**Input** Two SO239 Connectors  
**Power** 6C-Size Batt., 15HR, or 8.2VDC to 14.5VDC  
**Current** 150 Ma standby 300 Ma operational

### 3550 KIT INCLUDES

- Pre-assembled, tested counter board
- Case, power supply, connectors, hardware
- Built-in prescaler & preamp
- Gate Light - Automatic Zero Blanking
- Automatic Decimal Point
- One to two hours assembly time
- One Year Warranty on all parts
- All new parts - not factory seconds or surplus

3550 Kit . . . . .	\$99.95
T-101 Telescopic Antenna . . . . .	3.95
AC-9 Battery Eliminator . . . . .	7.95
Cigarette Lighter DC Adapter . . . . .	2.95

**TERMS:** Orders to U.S. and Canada, add 5% to maximum of \$10.00 per order for shipping, handling and insurance. To all other countries, add 15% of total order. California Residents add 6% State Sales Tax.

SEE YOUR LOCAL DEALER  
OR  
CALL TOLL FREE (800) 854-2049  
California Residents, Call Collect (714) 565-8402  
**DSI INSTRUMENTS, INC.**  
7914 Ronson Road No. G, San Diego, CA 92111

VISA • MC  
AMERICAN EXPRESS  
CK • MONEY ORDER  
COD



# ARE YOU ON FREQUENCY?

## BE ON FREQUENCY WITH DSI



**MODEL 3600A .5PPM 17° - 37°C**  
**\$199<sup>95</sup>**

- AUTO ZERO BLANKING
- AUTO DECIMAL POINT
- INCLUDES ANTENNA

**SAVE SHOP COSTS WHEN ADJUSTING XTALS  
 MEET YOUR QSO ON FREQUENCY EVERY TIME**

The 3600A and 3550W Frequency Counters represent a significant new advancement, utilizing the latest LSI Design . . . which reflects DSI's ongoing dedication to excellence in instrumentation, for the professional service technician and amateur radio operator. Before you buy a DSI instrument you know what the specifications are. We publish complete and meaningful specifications which state accuracy over temperature and sensitivity at frequencies you need. And we guarantee those specifications in writing.

**MODEL 3550W TCXO**

**\$149<sup>95</sup>**

- INCLUDES INTERNAL BATTERY HOLDER
- SAME AS 3600A LESS OVEN
- SEE SPECIFICATIONS BELOW

**MODEL 3700 .2PPM 0° - 40°C**  
**\$269<sup>95</sup>**

- AUTO ZERO BLANKING
- AUTO DECIMAL POINT
- INCLUDES ANTENNA

**PORTABLE! TAKE IT TO THE MOUNTAINS OR  
 USE IT MOBILE — TAKE IT WITH YOU ON FIELD DAY**

ALL NEW! ALL UNPARALLELED DSI QUALITY! The model 3700 700MHz frequency counter features . . . **.2 PPM** 0° to 40°C proportional oven time base . . . Built in battery trickle charger less batteries . . . Combined in a rugged (.125" thick) aluminum cabinet makes the 3700 ideal for the communications industry, professional service technicians, and sophisticated amateur radio operators.

3600A OWNERS: Update your 3600A frequency counter to a 3700 includes . . . **.2 PPM** proportional oven, rugged .125" thick aluminum cabinet, order 3600-A - 3700. Unit must be returned to DSI factory for modification.

### DSI — GUARANTEED SPECIFICATIONS — MADE IN USA

Model	Frequency Range	Accuracy Over Temperature	@ 146MHz	@ 220MHz	@ 450MHz	Number of Readouts	Size of Readouts	Power Requirements	Size
3700	50Hz - 700MHz	Proportional Oven .2 PPM 0° - 40°C	10MV	10MV	50MV	8	.5 Inch	115 VAC or 8.2 - 14.5VDC	3"H x 8"W x 6"D
3600A	50Hz - 600MHz	Oven .5 PPM 17° - 37°C	10MV	10MV	50MV	8	.5 Inch	115VAC or 8.2 - 14.5VDC	2 1/2"H x 8"W x 5"D
3550W	50Hz - 550MHz	1 PPM 65° - 85°F	25MV	25MV	75MV	8	.5 Inch	115VAC or 8.2 - 14.5VDC	2 1/2"H x 8"W x 5"D

— ALL UNITS ARE FACTORY ASSEMBLED, TESTED AND CARRY A FULL 1 YEAR WARRANTY —

- NO EXTRA COSTS •

FREE Shipping anywhere in U.S.A. and Canada.  
 All other countries, add 10%.

*Strongest warranty in the counter field.  
 Satisfaction Guaranteed.*

See Your Dealer or

Call Toll Free: (800) 854-2049  
**DSI INSTRUMENTS, INC.**

California Residents, Call Collect: (714) 565-8402

VISA • MC • AMERICAN EXPRESS • CHECK • MONEY ORDER • COD  
 7914 RONSON ROAD, #G, SAN DIEGO, CA 92111

Model 3700 ..... **\$269.95**

3600A - 3700 Factory Update (3600A Only)  
 Includes Labor & Re-Calibration ..... **\$ 99.95**

Model 3600A ..... **\$199.95**

Model 3550W ..... **\$149.95**

Option 03 20-Hr. Rechargeable  
 Battery Pack ..... **\$ 29.95**

# double-stub tuner

## for 1296 MHz

Feedline and matching problems at 1296 MHz are easily overcome by using this simple but effective double-stub tuner

Shortly after the military APX-6 became available on the surplus market in the 1950s, a number of magazine articles were published which described conversion of the unit to the 1215-1300 MHz amateur band. For a time there was considerable interest in this band; here in the San Fernando Valley there were about seven stations active for a year or more. Eventually interest declined, until there were only two of us left — K6BV and myself. We had 85 MHz of amateur frequency spectrum with almost no takers. That's too bad, because this band is ideal for repeaters, wide-band television, satellite communications, and amateur experimentation.

Why is the use of this band so meager? Probably the main reason is that there is no equipment available for the band. Also, it requires the application of techniques quite different from those used on the lower frequencies; of necessity, striplines and cavities must be used. These take some getting used to by newcomers to the amateur bands above 1000 MHz.

Another aspect that has not received too much attention is transmission lines. Losses in coaxial cable are tremendous at this frequency. Standing waves are a disaster if they appear on the line. The best RG-8/U coax has a loss of 8 dB per 30 meters (100 feet) at 1296 MHz. Any reflection at the antenna is power lost in all but the shortest lines, and putting

a radiator at the top of a tower does not promote a short feedline. On the low-frequency amateur bands a reasonable reflection of power at the antenna does not represent any appreciable loss in radiated power; if nothing gets hot, and the transmitter loads, the power has to radiate. Reflected power makes a round trip at low frequencies. At 1296 MHz, the reflected power suffers the 8-dB loss on the trip back to the transmitter and again on the second trip to the antenna. The net result is that reflected power is power lost, and power is hard to come by at 1296 MHz.

Measurement of power and standing waves on the feedline was a serious problem at my station for several years. A field-strength meter is easy to make for 1296 MHz, and setting it up in front of the antenna gives a good indication of relative power levels, but it usually turned out that a slotted line was still showing a considerable standing wave on the feedline, even after everything was tweaked for hours on end. Just taking the slotted line out of the line was apt to be a disaster if only because of the change in length of the line. In addition to this problem, the field-strength meter didn't give a true reading of the actual power being radiated. It was strictly a relative measurement, and I could not tell whether the transmitter was running at 5 per cent efficiency or the hoped for 30 to 40 per cent.

Uncertainty over the power output of the transmitter and the unhappy situation with standing waves on the feedline led to several not-so-cheap purchases and also a rather close-tolerance construction project. The first purchase was a Bird model 43 wattmeter with a plug-in covering 1.1 to 1.8 GHz. The second purchase was a Sierra Model 160B-300 dummy load (I couldn't build a suitable dummy load and gave up after a number of attempts). The way to rationalize these purchases is to say that the test gear will not wear out and with much cheaper plug-in elements the Bird 43 wattmeter will work on other amateur bands.

With the wattmeter and the dummy load I could read transmitter power output and pick up reflected

By George Hatherell, K6LK, 10160 Maude Avenue, Sunland, California 91040

power when the feedline was moved from the dummy load to the antenna radiator. Things began to fall into place. It became possible to trim the driving dipole for a reasonable match to the line. Single-helix antennas were stubborn, and responded only half-heartedly to matching devices; a twin-helix antenna was much better; a quad helix never seemed to work just right, regardless of the matching scheme I tried.

A nasty development surfaced when the dipole in front of my 2.5-meter (8-foot) dish was moved for

field-strength tests and beamwidth measurements. Any change of antenna configuration forced me to retune the driver. The answer, of course, was to find some kind of impedance-matching device that could be put into the line at the antenna and at the transmitter. The double-stub impedance transformer was the logical solution. But, where to find one? The surplus houses I trade with never had a single one that could possibly have worked at 1296 MHz. I had to build one; in fact, I had to make four of them. (Anybody working 1296 is bound to have more than one antenna.)

The impedance-matching range of the double-stub impedance transformer is astonishing. For example, it is no problem at all to bring the feedlines from two dipole antennas together at a T and match the resulting 25-ohm impedance to a 50-ohm line.

### tuner construction

The stubs of a double-stub tuner are normally 3/8 wavelength apart and mounted at right angles to a 50-ohm line section. Insertion loss is not readable on a 0- to 25-watt rf power meter running at half scale. There is just one problem with the tuners: they are hard to make because mechanical tolerances must be held tightly so that the tuning plungers do not bind when they are adjusted. It is not necessary to have a mill to build a double-stub tuner, although there is one minor place where it produces a more professional job. A lathe should be available.

### construction

Referring to the cross-sectional sketch (see fig. 1), tubing sections used for the stubs can be sawed to length; remember that they must be long enough to reach halfway around the mainline section. Cut and file one end of each stub tube to fit snugly around the main section line. Scribe the *outside* contour of one of the stub tubes onto the main line, 43 mm (1.7 inches) from the center of the main line; scribe a similar contour 43 mm (1.7 inches) from the center toward the other end. These outlines must be parallel along the main line tube. Remember, these scribed contours are the *outside* of the stub tubes. Cut and file openings in the main line tube to match the inside diameter of the stub sections. Final fit must be made with the file strokes at right angles to the line tube and parallel to the axis of the stub tubes, as they will solder in place. This may sound difficult, but it's not, just a bit tedious.

Assembly of the two stubs to the main line must be done accurately. I found the simplest way was to lay the three parts on a piece of 1.9-cm (3/4-inch) plywood and drive nails on both sides of all three tubes to hold them in place. A square will indicate

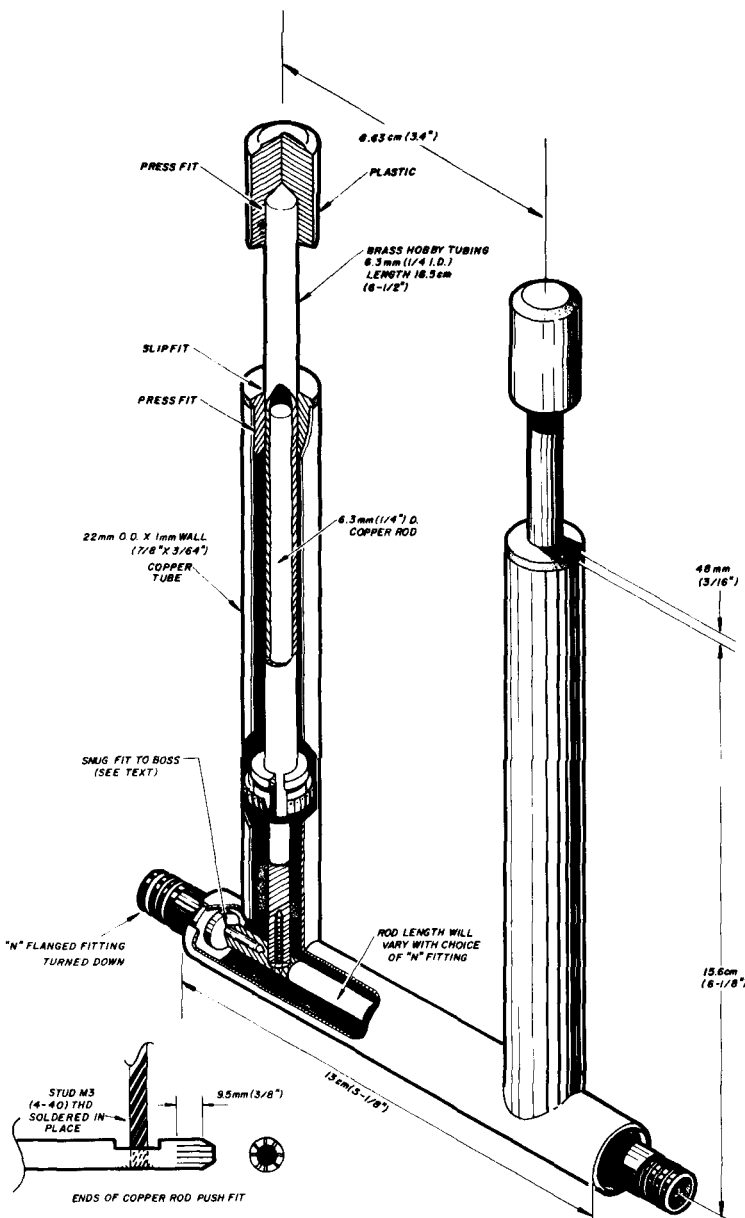


fig. 1. Mechanical diagram of the double-stub tuner. As mentioned in the text, the length of the center conductor of the main line is determined by the type of N connector which is used. Matching is accomplished by the two stubs with sliding shorts which provide adjustable amounts of reactance.

when the stubs are at right angles to the main line. The plywood will keep all three parts in the same plane. Put something heavy on each of the tubes to keep it from shifting during the soldering operation. The stubs are soldered to the main line section with a substantial bead halfway around the joint. The assembly is then turned over in the jig to complete the second half of the soldering job. If the half-soldered

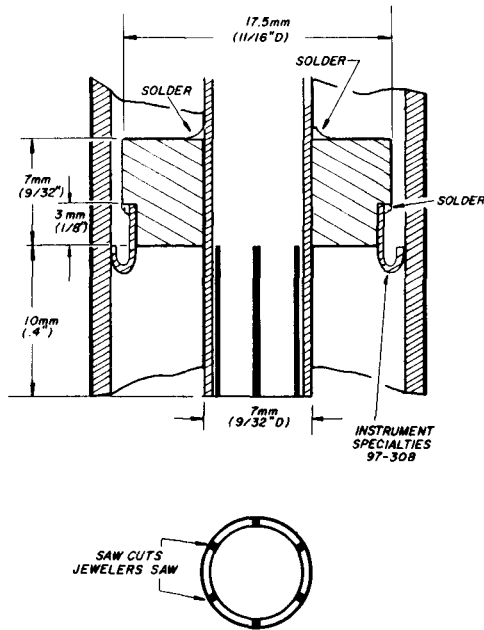


fig. 2. Close-up view of the fingerstock assembly. If brass shim stock is used instead of fingerstock, the size of the brass ring can be changed to compensate for the size difference.

assembly, when flipped over, does not drop into the nail jig without binding, the right-angle alignment of the jig is faulty. If this happens, it is best to start over.

In fig. 1, the dimension of the inner conductor of the main line has not been shown. This is because flanged N connectors vary somewhat in design, and the builder must determine this length to match the available fittings. For final assembly, the outer face of both N flanges must be recessed into the main line tube approximately 1.5 mm (1/16 inch). The normally square flanges are turned on a lathe to a diameter allowing a slip fit into the copper tube. The center-conductor's length is set to fit snugly up against the boss at the base of the conductor extension of each N fitting. This is not critical, but recessing of the N connector flanges is necessary to permit a substantial solder bead for maximum strength under torque load from connected equipment.

Once the inner conductor length is established, the ends of the rod are tapered and an 11 mm (7/16 inch) deep hole is drilled in each end. The diameter of the

hole is selected to provide a slip fit on the center pin of the connector. With a jeweler's saw, three longitudinal cuts are made on each end of the center-conductor rod, giving six segments at each end. The segments are given a set toward the center to establish a press fit over the center pin of the N conductor (no soldering is possible at final assembly). The longitudinal cuts are 9.5 mm (3/8 inch) deep. If the N conductor pins are more than 6.5 mm (1/4 inch) long, cut them back to 6.5 mm (1/4 inch).

There is one very critical dimension in the inner conductor assembly, the spacing between the points at which the stubs connect. This spacing must match, as closely as possible, the center spacing between the outer tubes already assembled. Measure the distance between the stub centers accurately and transfer this measurement to the center conductor of the main line. (Center-to-center measurement is most easily done by measuring from the left-hand side of one tube to the left-hand side of the other tube, or conversely, from the right-hand side of one tube to the right-hand side of the other tube.) This measurement is transferred to the center conductor of the main line so that the distance from one end of the line to the first stub is equal to the distance from the other end of the line to the second stub.

Clamp the rod in a vise and file flat spots 6.5 mm (1/4 inch) wide over the stub locations. These should be filed one-third of the way through the rod. The faces must be flat and parallel to each other since they affect final alignment of the stubs. Drill and tap each flat for a 4-40 (M3) machine screw, ensuring that the distance between the drilled holes is exactly the same as the distance between the centers of the two stub tubes already assembled. Insert brass 4-40 (M3) machine screws from the bottom so that the threaded end of the screws extends 9.5 mm (3/8 inch) above the face of the flats. The above procedure is for those who don't have access to a mill. (With a mill, sink a 6.5-mm [1/4-inch] end mill 3 mm [1/8 inch] deep, then drill and tap for the screws.)

The center-stub conductors are squared in the lathe, drilled and tapped for the screws already in place in the main line. Screw the stubs onto the 4-40 (M3) studs and check for perpendicular projection from the line and for parallel alignment. If alignment is correct, the screws can be soldered to the main line, after which the excess should be sawed off and smoothed to maintain the shape of the line. The stubs must be removed from the mounting studs for final assembly.

The plungers are made from 6.5-mm (1/4-inch) ID brass hobby tubing, which is a slip fit on the center conductor stubs. The tubing is also split with a jeweler's saw as indicated in fig. 2. The segments are pressed inward to give a good sliding fit on the center

conductor. The brass ring which supports the fingerstock is bored, turned and soldered in place. The indicated fingerstock is ideal for the job, but brass shim stock may be substituted if the fingerstock is not available. When using shim stock, wrap it around the ring, slit in segments, and solder in place. Give the segments an outward bias and contour the tips to slide rather than dig into the outer conductor.

with the plungers completely in. It is good insurance to wrap the base of the stub tuner lines, where they solder to the main line, with a damp cloth while soldering the N fittings into place.

With these three pieces of gear, directional watt meter dummy load, and stub tuners, 1215 MHz to 1300 MHz becomes one of the easiest of the amateur bands to work on, rather than one of the hardest.

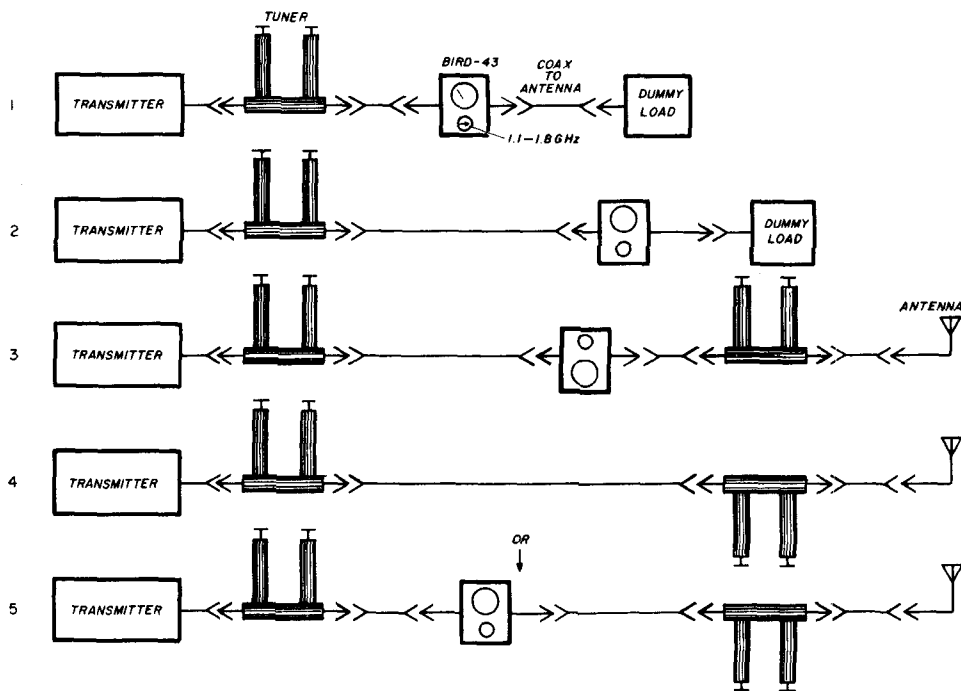


fig. 3. Different configurations for using one or two double-stub tuners.

The plastic fitting at the end of each stub is drilled for a slip fit on the plunger tubing and pressed onto the end of the stub. The plunger knobs may be any type of plastic and are also press fitted onto the plunger tubing.

### final assembly

The center conductor of the main line is slipped into the tube, the center conductor stub lines are screwed into place on the 4-40 (M3) screws and set tight with a pair of heavy pliers. The N fittings are pressed into the ends of the main line center conductor and the plungers are slid down over the stub center lines. The plastic guide sleeves are pressed into the open end of the stub tubes and the plungers are run up and down to check for any binding. There should be none, though a slight difference in resistance may be noticed at first as the plungers move full stroke. If no problems show up, the flanges of the N fittings may be soldered with the plungers both fully inserted. This is important, as any misalignment will be less troublesome if the N fittings are soldered

The guesswork disappears in checking cavity or stripline efficiency, antenna match, and line reflections. Comparing one antenna to another becomes routine, rather than the long, drawn-out process of trying to match power into an antenna system in the face of all the line and feed problems that constantly disturb the results.

Different tuner configurations are illustrated in fig. 3. As a simple indication of what can be accomplished with one of these tuners, a test set-up was arranged on the bench. Eight watts of power was fed into a dipole that had been trimmed to give a good match to a 50-ohm line when used to drive a 2.5-meter (8-foot) parabolic dish. The wattmeter showed that two watts were being reflected. With a double-stub tuner into the line at the dipole, it took less than ten seconds to wipe out the reflected power by adjusting the stub plungers. This was a 25 per cent increase in radiated power without having to touch the antenna. If aggravation has a price tag, these three pieces of gear are a bargain.

ham radio

 **KENWOOD**

# WINTER '78/79 PRODUCT LINE

*Novice or Advanced...  
you can own the world's most  
popular transceiver*



## AT-200

The AT-200 is an antenna tuner, but it's also much more. It's an antenna switch, an SWR bridge and an in-line wattmeter. The AT-200 reduces the clutter and increases the operating efficiency of your

## SP-520

station... and at a surprisingly moderate price. The SP-520 matching speaker offers improved sound in a handsome cabinet. The DG-5 option gives you your exact frequency, while

## TS-520S & DG-5

transmitting and receiving, in large easy to read digits by mixing the carrier, VFO, and heterodyne frequencies. The VFO-520 remote VFO is a perfect match for your TS-520S and provides maximum

operating flexibility. The TV-502S 2-meter transverter produces 8 watts on SSB and CW. It easily hooks up to the TS-520 and TS-820 series transceivers, providing an inexpensive method of get-

# TS-520S

**THE TS-520S SERIES LITERALLY TOOK THE AMATEUR WORLD BY STORM. NO OTHER RADIO EVER CAUGHT ON SO FAST AND THE REASONS ARE OBVIOUS... EXCELLENT PERFORMANCE CHARACTERISTICS, DEPENDABILITY, FLEXIBILITY, AND A VERY SOLID VALUE FOR THE PRICE. AND NOW THE TS-520S SERIES OFFERS THE MOST COMPLETE LINE OF ACCESSORIES AVAILABLE.**

## FULL COVERAGE TRANSCEIVER

The TS-520S provides full coverage on all amateur bands from 1.8 to 29.7 MHz. Kenwood gives you 160 meter capability, WWV on 15.000 MHz., and an auxiliary band position. And with the addition of the TV-506 transverter, your TS-520S can cover 160 meters to 6 meters on SSB and CW.

## OUTSTANDING RECEIVER SENSITIVITY AND MINIMUM CROSS MODULATION

The TS-520S incorporates a 3SK35 dual gate MOSFET for outstanding cross modulation and spurious response characteristics. The 3SK35 has a low noise figure (3.5 dB typ.) and high gain (18 dB typ.) for excellent sensitivity.

## NEW IMPROVED SPEECH PROCESSOR

An audio compression amplifier

gives you extra punch in the pile ups and when the going gets rough.

## VERNIER TUNING FOR FINAL PLATE CONTROL

A vernier tuning mechanism allows easy and accurate adjustment of the plate control during tune-up.

## FINAL AMPLIFIER

The TS-520S is completely solid state except for the driver and the final tubes.

Kenwood has employed two husky S-2001A (equivalent to 6146B) tubes. These rugged, time-proven tubes are known for their long life and superb linearity.

## HIGHLY EFFECTIVE NOISE BLANKER

An effective noise blanking circuit developed by Kenwood that virtually eliminates ignition noise is built into the TS-520S.

## RF ATTENUATOR

The TS-520S has a built-in 20 dB attenuator that can be activated by a push button switch conveniently located on the front panel.

## PROVISION FOR EXTERNAL RECEIVER

A special jack on the rear panel of the TS-520S provides receiver signals to an external receiver for increased station versatility. A switch on the rear panel determines the signal path... the receiver in the TS-820 or any external receiver.

## CW-520 - CW FILTER (OPTION)

The CW-520 500-Hz filter can be easily installed and will provide improved operation on CW.

## AMPLIFIED TYPE AGC CIRCUIT

The AGC circuit has three positions (OFF, FAST, SLOW) for optimum operation on CW.

## AC POWER SUPPLY

The TS-520S is completely self-contained with a rugged AC power supply built-in. The addition of the DS-1A DC-DC converter (optional) allows for mobile operation of the TS-520S.

## EASY PHONE PATCH CONNECTION

The TS-520S has two convenient RCA phono jacks on the rear panel for PHONE PATCH IN and PHONE PATCH OUT.

The TS-520S retains all of the features of the original TS-520 that made it tops in its class: RIT control • 8-pole crystal filter • Built-in 25 kHz calibrator • Front panel carrier level control • Semi-break-in CW with sidetone • VOX/PTT/MOX • TUNE position for low power tune up • Built-in speaker • Built-in cooling fan • Provisions for four fixed frequency channels • Heater switch.



## VFO-520S

tuning on the 2-meter band.

The **TV-506** is an equally practical way of getting on the 6-meter band, providing 10 watts on SSB and CW.

The **SM-220** is an extremely useful and unique station

monitor. It allows you to monitor your transmissions, monitor incoming signals and monitor the amount and strength of band activity\* and performs as a general purpose 10 MHz oscilloscope, as well.

\*With BS-5 or BS-8 pan display option.

## TV-506

## SM-220

**KENWOOD**  
*...pacesetter in amateur radio*

The TS-820S... known worldwide as the Pacesetter. Amateur Radio Operators universally respect its superb quality, proven through thousands of hours of operating time under all environmental conditions. The TS-820S has every feature any Amateur could desire for operating enjoyment, on any band from 160 through all of 10 meters.



You can always tell who's running a TS-820S. Its superb quality stands out from all the other rigs on the band... and when the QRM gets heavy, the TS-820S's adjustable RF speech processor, utilizing a 455-kHz circuit to provide quick-time-constant compression, will get the message through. RF negative feedback is applied from the final to the driver to improve linearity, and third-order products are at least -35 dB. Harmonic spurious emissions are less than -40 dB and other spurs are less than -60 dB. RF input power is 200 W PEP on SSB, 160 W DC on CW, and 100 W DC on FSK. Receiver sensitivity is better than 0.25  $\mu$ V for 10 dB S/N. The TS-820S is known for its superb receiver selectivity, and its famous IF shift easily eliminates heavy QRM. That's why the TS-820S is the DXer's choice.

See your local Authorized Kenwood Dealer today.

# TS-820S

*The Perfect Station*



SP-820 TS-820S

VFO-820 TV-502S TV-506 SM-220



# T-599D

*The R-599D and T-599D...  
 ...now less than \$1,000*

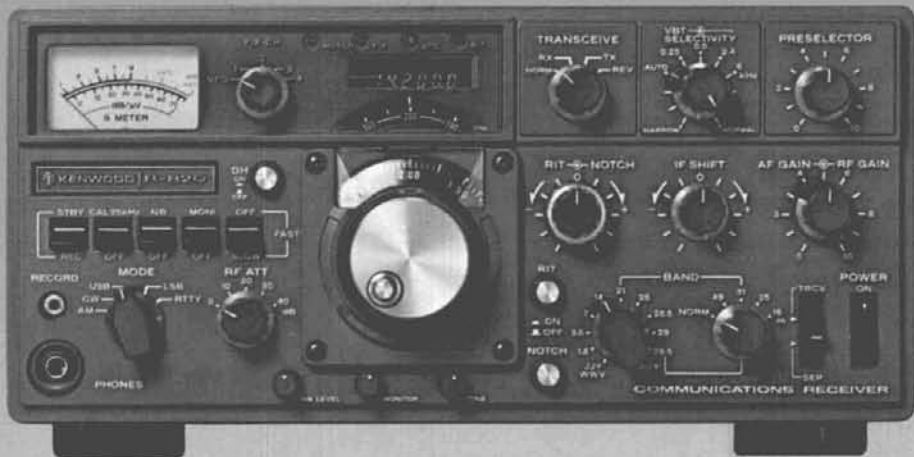
Kenwood developed the T-599D transmitter and R-599D receiver for the most discriminating Amateur

The T-599D transceiver is solid-state with the exception of only three tubes, has built-in power supply and full metering. It operates CW, LSB, USB and AM and, of course, is a perfect match to the R-599D receiver.

The R-599D is the most complete receiver ever offered. It is entirely solid-state, superbly reliable and compact. It covers the full Amateur band, 10 through 160 meters, CW, LSB, USB, AM and FM.



Your station isn't complete if it doesn't include the R-820



## R-820

Introducing the ultimate in receiver design... the Kenwood R-820.

With more features than ever before available in a ham-band receiver. This triple-conversion (8.33 MHz, 455 kHz, and 50 kHz IFs) receiver, covering all Amateur bands from 160 through 10 meters, as well as several shortwave broadcast bands, features digital as well as analog frequency readouts, notch filter, IF shift, variable bandwidth tuning, sharp IF filters, noise blanker, stepped RF attenuator, 25 kHz calibrator, and many other features, providing more operating conveniences than any other ham-band receiver. The R-820 may be used in conjunction with the Kenwood TS-820 series transceiver, providing full transceive frequency control.

Additional features include: A monitor switch which allows the user to hear his own voice when using associated transmitter. Either VFO control or crystal control on four selectable frequencies. Digital hold... locks counter and display while VFO is tuned to another frequency... facilitates return to "hold" frequency. RIT/notch control... RIT allows receiver to be tuned off frequency, while not affecting transmit frequency when in transceive mode with TS-820S. Notch control tunes notch within IF passband for eliminating interference. Interfering signal remains notched even when IF shift is utilized. Built-in crystal calibrator, settable to WWV, provides signal every 25 kHz. Noise blanker/level control... for maximum reduction of noise interference. A transceive/separate switch enables receive VFO to control the receiver and TS-820 (or TS-820S) frequency (or the TS-820 VFO to control both), or, of course, both can function independently.



TL-922A

*the most versatile pair on the air*

If you have never considered the advantages of operating a receiver/transmitter combination... maybe you should. Because of the larger number of controls and dual VFOs the combination offers flexibility impossible to duplicate with a transceiver.

Compare the specs of the R-599D and the T-599D with any other brand. Remember, the R-599D is all solid-state (and includes four filters). Your choice will obviously be the Kenwood.



## R-599D

**KENWOOD**  
...pacesetter in amateur radio

# 10 WATT

## ...KENWOOD OFFERS A CHOICE



**NEW**

# TR-7600

## ...THE RADIO THAT REMEMBERS

Every feature you could possibly want in a 2-meter FM rig is available now in the Kenwood TR-7600 and RM-76 Microprocessor Control Unit

The new TR-7600 gives you...

- Full 4-MHz coverage (144,000-147,995 MHz) on 2 meters • 800 channels • Dual concentric knobs for fast frequency change (100-kHz and 10-kHz steps) • 5-kHz offset switch • MHz selector switch... for desired band (144, 145, 146, or 147 MHz) • Mode switch for operating simplex or for switching the transmit

- frequency up or down 600 kHz for repeater operation... or for switching the transmitter to the frequency you have stored in the TR-7600's memory (while the receiver remains on the frequency you have selected with the dual knobs) • Memory channel... with simplex or repeater (plus or minus 600 kHz transmitter offset) operation • Digital frequency display (large, bright, orange LEDs) • UNLOCK indicator... an LED that indicates transceiver protection when the frequency selector switches are improperly positioned, or the PLL has malfunctioned • 10 watts RF



output (switchable to 1 watt low power)  
• Noise-cancelling microphone • Compact size (only 6-7/16 inches wide, 2-7/16 inches high, and 9-3/16 inches deep)

The RM-76 Microprocessor Control Unit provides more operating features to the TR-7600 2-meter FM transceiver than found in any other rig! With the RM-76 Microprocessor Control Unit attached to your TR-7600, you can...

- Select any 2-meter frequency • Store frequencies in six memories • Scan all memory channels • Automatically scan up all frequencies in 5-kHz steps • Manually scan up or down in 5-kHz steps • Set lower and upper scan frequency limits • Reset scan to 144 MHz • Stop scan (with HOLD button) • Cancel scan (for transmitting) • Automatically stop scan on first busy or open channel • Operate on MARS (143.95 MHz simplex only) • Select repeater mode (simplex, plus transmit frequency offset, minus offset, or any of six memory transmit offsets) • Select transmit offset (1 MHz/600 kHz)

The Microprocessor Control Unit's display indicates frequency (even while scanning) and functions (such as autoscans, lower scan frequency limit, upper scan limit, error, and call channel).

Subject to FCC approval



# TS-700SP

SP-70 VFO-700S

Still the same fine, time proven rig. But now with the simple addition of a plug-in crystal, the TS-700SP will be able to utilize the new repeater sub-band (144.5 to 145.5 MHz). Still features all of the fine attributes of the TS-700S: A digital frequency display, receiver pre-amp, VOX, semi-break in, and CW sidetone. Of course, it's all mode, 144-148 MHz, VFO controlled... and Kenwood quality throughout.

Features: 4 MHz band coverage (144 to 148 MHz) • Automatic repeater offset capability on all FCC authorized repeater subbands including 144.5-145.5 MHz • Simply dial receive frequency and radio does the rest... simplex, repeater, or reverse. Same features on any of 11 crystal positions • Transmit/Receive capability on 44 channels with 11 crystals • Operates all modes: SSB (upper and

lower), FM, AM and CW • Digital readout with "Kenwood Blue" digits • Receiver pre-amp • Built-in VOX • Semi break-in on CW • CW sidetone • All solid-state • AC and DC capability • 10 watts RF output on SSB, FM, CW • 3 watts on AM • 1 watt FM low-power switch • 0.25  $\mu$ V for 10 dB (S+N)/N SSB/CW sensitivity • 0.4  $\mu$ V for 20 dB quieting FM sensitivity.

OR **25 WATT** OUTPUT



# TR-7400A

The fully-synthesized TR-7400A 2-meter FM transceiver operates on 800 channels and features repeater offset over the entire 144-148-MHz range, dual frequency readout, six-digit display, and subaudible tone encoder and decoder. RF output is at least 25 watts!

The TR-7400A 2-meter FM transceiver provides fully synthesized operation, including 600-kHz repeater offsets, over the entire 144-148-MHz range. It can operate on any of 800 channels, spaced 5 kHz apart. RF output is at least 25 W, and typically 30 W. A low power position produces 5-15 W (adjustable). Included is a dual frequency readout with large six-digit LED display plus a dial readout. The sub-

audible CTCSS signaling feature may be used on transmit and receive, or transmit only. Optional tone-burst modules are available. Receiver sensitivity is better than 0.4  $\mu$ V for 20 dB quieting. Large, high Q, helical resonators minimize interference from outside the band. A two-pole 10.7-MHz monolithic crystal filter provides excellent selectivity. Intermodulation distortion is down more than 66 dB, spurious rejection is better than -60 dB, and image rejection is better than -70 dB.

See your local Authorized Kenwood Dealer today, for a demonstration of the fantastic TR-7400A.



# TS-600

Experience the excitement of 6 meters. The TS-600 all mode transceiver lets you experience the fun of 6 meter band openings. This 10 watt, solid state rig covers 50.0-54.0 MHz. The VFO tunes the band in 1 MHz segments. It also has provisions for

fixed frequency operation on NETS or to listen for beacons. State of the art features such as an effective noise blanker and the RIT (Receiver Incremental Tuning) circuit make the TS-600 another Kenwood "Pacesetter".

TRIO-KENWOOD COMMUNICATIONS INC.  
1111 WEST WALNUT/COMPTON, CALIFORNIA

 **KENWOOD**  
...pacesetter in amateur radio



*Give your signal extra muscle*

## TL-922A

The Kenwood name has grown to represent the finest Amateur Radio equipment available. The TL-922A linear amplifier carries on that tradition. As a linear it gets your signal through today's crowded bands and provides the power to reach those far away places with ease. And because it's Kenwood you can count on its dependability. The TL-922A is FCC type accepted. It runs the full legal limit on all ham bands from 160-15 meters and is compatible with most amateur exciter. Contact your nearest Authorized Kenwood Dealer for complete specifications and the best deal.

**WHY SHOULD THE TL-922A BE PART OF YOUR STATION? COMPARE THESE FEATURES AND SPECS... THE ANSWER WILL BE OBVIOUS.**

**Instant heating filaments** — The 3-500Z tubes require no warm up period. Just turn it on and go!

**Time delay fan circuit** — Even after you turn the TL-922A off, the super quiet fan continues to work for approximately 2 minutes to greatly extend tube life.

**Adjustable ALC output voltage** — Lets you tailor the ALC voltage to your exciter.

**Standby position** — Provides amplifier bypassing without having to turn the AC power off.

**Two independent safety interlocks** — One disconnects

AC line voltage and the second shorts B+ to ground when tripped.

**Vernier plate control** — For smooth, easy tune-up.

**Diecast side panels** — Includes functional carrying handles for easy transportation.

**Thermal protection of power transformer** — Amplifier automatically switches to standby if power transformer temperature exceeds 145°F.

**Tuned Input Circuit** — Means improved spurious characteristics.

**Line voltage selector** — Easily switched between 120 and 240 VAC.

**Multimeter** — Reads high voltage, relative output or grid current (selectable).

**Plate Current Meter** — Separate meter allows continuous monitoring of plate current.



*For the best in world listening*

## R-300

Dependable operation, superior specifications and excellent features make the R-300 an unexcelled value for the shortwave listener. It offers full band coverage with a frequency range of 170 kHz to 30.0 MHz • Receives AM, SSB and CW • Features large, easy to read drum dials with fast smooth dial action • Band spread is calibrated for the 10 foreign broadcast bands, easily tuned with the use of a built-in 500 kHz calibrator • Automatic noise limiter • 3-way power supply system (AC/Batteries/External DC) ... take it anywhere • Automatically switches to battery power in the event of AC power failure.

Escape the rat race... try 440 MHz FM!



# TR-8300

How would you like to work an uncrowded frequency... hear signals with less noise... or use a sophisticated repeater or remote base with better coverage? 440 MHz is the answer. It will surprise you. It will penetrate buildings where 2 meters won't, and often you can even work out from underground garages... where 2 meters is dead.

Best of all, it's easy to get on 440 MHz (70 cm)... with a Kenwood TR-8300 transceiver. High quality is critically important on VHF bands, and the TR-8300 is just what you need to meet all technical requirements.

- 10 watts RF output (switchable to 1 watt)
  - 23 crystal-controlled channels (3 supplied)
  - 445.0-450.0 MHz transmit range
  - 442.0-447.0 MHz receive range
  - Transmitter and receiver adjustable over any 5-MHz segment from 440 to 450 MHz
  - 5-section helical resonator and 2-pole crystal filter in IF to reject intermod
  - SWR protection in final amplifier
  - Excessive-voltage and reverse-polarity protection circuits
  - 0.5  $\mu$ V for 20 dB quieting sensitivity
  - Better than -60 dB spurious radiation
  - 20 kHz (-6 dB), 40 kHz (-70 dB) selectivity
  - Monitor switch that lets you check modulation and frequency 'netting'
  - Call CH switch that activates optional CTCSS (subaudible tone) function
  - Large S meter
- Move up to 440 MHz today... with a Kenwood TR-8300... for more reliable communications!*

*Fine equipment that belongs in every well equipped station*

## HF LINES

- 820 Series**
- TS-820S... TS-820 with Digital Installed
  - TS-820... 160-10 m Deluxe Transceiver
  - YG-88A... 6-kHz AM filter for R-280
  - YG-455C... 500-Hz CW filter for R-820
  - YG-455CN... 250-Hz CW filter for R-820
  - DG-1... Digital Frequency Display for TS-820
  - VFO-820... Deluxe Remote VFO for TS-820/820S
  - SP-820... External speaker with audio filters
  - CW-820... 500 Hz CW Filter for TS-820/820S

- 520 Series**
- TS-520S... 160-10 m Transceiver
  - DG-5... Digital Frequency Display for TS-520 Series
  - VFO-520... Remote VFO for TS-520 and TS-520S
  - SP-520... External Speaker for 520/820 Series
  - CW-520... 500 Hz CW Filter for TS-520/520S
  - DK-520... Digital Adaptor Kit for TS-520

- 599D Series**
- R-599D... 160-10 m Solid State Receiver
  - T-599D... 80-10 m Matching Transmitter
  - S-599... External Speaker for 599D Series
  - CC-29A... 2-meter Converter for R-599D
  - CC-69A... 6-meter Converter for R-599D
  - FM-599A... FM Filter for R-599D

## HF ACCESSORIES

- TL-922A... 160-15 m kilowatt linear amplifier
- SM-220... Station monitor, 10-MHz scope

- BS-8... SM-220 pan display for TS-820 Series
- BS-5... SM-220 pan display for TS-520 Series
- AT-200... 200-W antenna tuner, SWR/power meter, switch
- DS-1A... DC-DC Converter for 520/820 Series

## SHORT WAVE LISTENING

- R-300 General Coverage SWL Receiver

## VHF LINES

- TS-600... 6 m All Mode Transceiver
- TS-700SP... 2 m All Mode Digital Transceiver
- VFO-700S... Remote VFO for TS-700S
- SP-70... Matching Speaker for TS-600/700 Series
- VOX-3... VOX for TS-600/700A
- TR-7400A... 2 m Synthesized Deluxe FM Transceiver
- TR-7600... 2 m FM transceiver with 800 channels and memory

## MORE ACCESSORIES:

Description	Model #	For use with
Repeater Subband Kit	RSK-7	TS-700A/S
Rubber Helical Antenna	RA-1	TR-2200A
Telescoping Whip Antenna	T90-0082-05	TR-2200A
Ni-Cad Battery Pack (set)	PB-15	TR-2200A
4 Pin Mic. Connector	E07-0403-05	All Models
Active Filter Elements	See Service Manual	TR-7400A
Tone Burst Modules	See Service Manual	TS-700A; TR-7400A
AC Cables	Specify Model	All Models
DC Cables	Specify Model	All Models

- RM-76... Remote Controller for TR-7600 with six memories, scanning
- TR-8300... 70 CM FM Transceiver (450 MHz)
- TV-506... 6-m Transverter for 520/820/599 Series
- TV-502S... 2-m Transverter for 520/820/599 Series

## POPULAR STATION ACCESSORIES

- HS-4... Headphone Set
- MC-30S... low-impedance mobile noise-cancelling microphone
- MC-35S... high-impedance mobile noise-cancelling microphone
- MC-50... Desk Microphone
- PS-6... Power Supply for TR-8300
- PS-8... Power Supply for TR-7400A

Trio-Kenwood stocks a complete line of replacement parts, accessories, and manuals for all Kenwood models.



The Kenwood HS-4 headphone set adds versatility to any Kenwood station. For extended periods of wear, the HS-4 is comfortably padded and is completely adjustable. The frequency response of the HS-4 is tailored specifically for amateur communication use. (300 to 3000 Hz, 8 ohms).



The MC-50 dynamic microphone has been designed expressly for amateur radio operation as a splendid addition to any Kenwood shack. Complete with PTT and LOCK switches, and a microphone plug for instant hook-up to any Kenwood rig. Easily converted to high or low impedance. (600 or 50k ohm).

**TRIO-KENWOOD COMMUNICATIONS INC.**  
1111 WEST WALNUT/COMPTON, CA 90220

# 1.5 GHz divide-by-four prescaler

Extending the range  
of your counter  
is made easy  
by this simple  
divide-by-four  
1500-MHz prescaler

In the last few years frequency counters have developed from bulky, slow, costly units affordable only by well-heeled laboratories, into small, high-frequency instruments at a price easily within the reach of the average ham. Quite a few manufacturers now offer counters with 1-Hertz resolution to 50 or 60 MHz, low power drain, and a price in the neighborhood of \$100. In addition, many articles have appeared in the amateur magazines describing the construction of frequency counters and prescalers; recently, an entire issue (February 1978) of *ham radio* was devoted to the subject of frequency counters.

The upper frequency limit of every counter is set by the maximum operating speed of the input divider stage. This first divider is usually a fast prescaler — a fixed, asynchronous divider operating with the main divider chain. The most popular low-cost prescalers use the 11C90 digital divider, which has a typical maximum operating frequency of about 600 MHz. IC

prescalers with higher operating speeds are available, but their high prices have kept them from finding much amateur use.

However it is now possible to inexpensively extend a counter's operating frequency range to well beyond 1 GHz, with a recently introduced ECL (emitter-coupled logic) divide-by-four prescaler. This device is the Motorola MC1697, a very fast ECL prescaler which has a typical operating frequency of 1600 MHz. Thus, a prescaler using this circuit will extend the range of a 400-MHz counter to above 1.5 GHz. It will operate with signals as low as 1 mW, requires only a single dc supply, and will drive 50-ohm loads. The MC1697 is a low-cost, plastic-packaged device that sells for less than \$18.

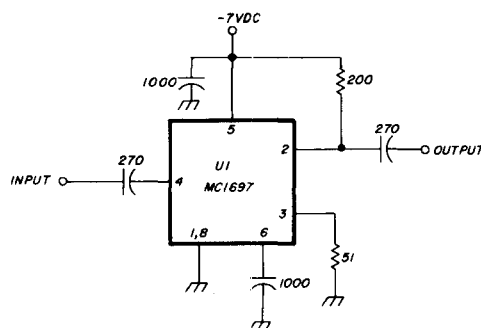


fig. 1. Schematic diagram of the divide-by-four prescaler using the Motorola MC1697. Chip capacitors are preferred for the input and output coupling capacitors, though silver micas may be used if the other types cannot be obtained. If the IC should free-run, the oscillations can be stopped by connecting a 10k resistor across pins 4 and 5.

By Jerry Hinshaw, N6JH, 2500 Medallion #193, Union City, California 94587

## circuit description

The schematic diagram of the prescaler's circuit is shown in **fig. 1**. The signal to be counted is fed through C1 to the MC1697, which contains two divide-by-two stages in cascade. The input to the first counter is internally biased to accept zero-mean signals so that no external set-up bias is needed. The second flip-flop has complementary outputs. One of these is fed to the output connector through C2, the other is terminated in a 51-ohm resistor. The 200-ohm resistor terminates the open emitter of the output emitter follower.

A single dc power supply is required to provide  $-7$  volts at approximately 60 mA. A simple power supply for this prescaler module can be built using an adjustable voltage regulator. The design of power supplies using this type of regulator has been discussed by K5VKQ.<sup>1</sup>

## construction

The prescaler is built on the small printed circuit board shown in **fig. 2**.<sup>\*</sup> Double-clad, 1.6-mm (1/16-inch) glass-epoxy board is used. One side forms a ground plane, which provides for low-impedance grounding and permits the use of microstrip lines for the input and output.

All components, with the exception of C1 and C2, are mounted on the ground plane side of the board. If chip capacitors are used for C1 and C2, they should be soldered directly across the gaps in the microstrip lines. If silver mica capacitors are to be used, they may be mounted on the ground plane side of the board with the rest of the components. The use of chip capacitors is preferable, as they will provide lower loss and less inductance than capacitors with wire leads.

Be sure to leave enough clearance under the bodies of the two 1000-pF bypass capacitors so that the lead can be soldered to the ground plane at the points indicated by Xs on **fig. 2C**. One end of the 51-ohm resistor is connected to the top side of the board.

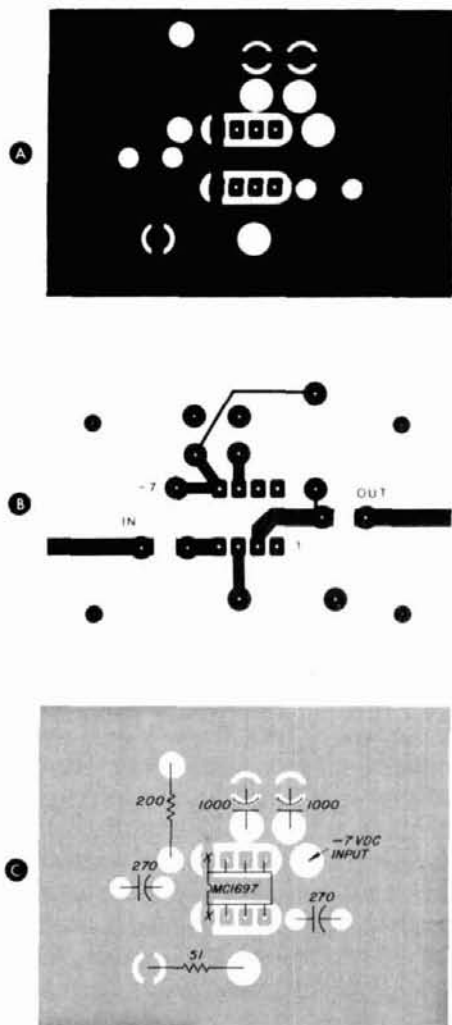
If a socket is used to mount the MC1697, it must be the type that can be soldered to both sides of the board so that pins 1 and 8 can be properly grounded. Molex or swage-in pins will work here, or the IC can be soldered in the circuit board. Soldering the IC is the best choice in terms of electrical and thermal performance, but it does make changing the device difficult. If you are going to purchase only one IC (rather than buy several to select the fastest), you may as well solder it directly to the board.

<sup>\*</sup>An etched, drilled, and plated glass-epoxy circuit board is available for \$6.00 postpaid, from H&M Microwave, Post Office Box 185, Montrose, California 91020. California residents please add 6 per cent sales tax.

The board was designed to fit into a Bud CU124 cast aluminum box, although it will also fit into a 5.1 × 7.6 × 10.2-cm (2 × 3 × 4-inch) sheet-metal box. The cast box provides better grounding and rf shielding. The board fits into the box as shown in **fig. 3**. The component side is mounted facing down; this is done so that the BNC input and output connectors can be directly soldered to the microstrip lines after the board has been installed in the box.

The board itself is mounted in the box with four 9.5-mm (3/8-inch) standoffs located at the four mounting pads near the corners of the board. The standoffs should be soldered to the ground plane and then securely clamped to the box with screws.

If an external power supply is used, the lead may



**fig. 2.** The top and bottom sides of the printed circuit board are shown in A and B respectively. In the parts placement diagram, C, C1, and C2 are installed on the top of the board if glass or mica capacitors are used; if chip ceramics are used, they are mounted on the foil side. The leads marked with an X are to be soldered on the ground plane side.

be brought into the box with a feedthrough bypass-type capacitor. Alternatively, a small power supply can be built in the box containing the prescaler.

## operation

This prescaler module has no adjustable components and should work, Murphy willing, when it is first turned on. However, if it does not, there are several points to check. First, see that the  $-7$  volts is present at pin 5 on the MC1697. If you have an oscilloscope, check to see that the IC is not oscillating. (A cure for oscillations is to connect a 10k-ohm resistor from pin 4 to  $V_{ee}$ .) Also check the grounds on the two bypass capacitors, pins 1 and 8 on the MC1697, and on the 51-ohm resistor. All of these ground points must be soldered to the top of the printed circuit board.

Once the prescaler is built and operating you will naturally want to check it to find the maximum operating frequency. One way of doing this involves finding a signal generator or source that covers the 1- to 2-GHz range. Attach the prescaler and counter to the generator. Start with the generator set near 1 GHz and verify that the counter reads approximately 250 MHz.

Slowly increase the frequency of the signal generator and watch the counter display. Somewhere between 1500 and 1700 MHz (about 375 to 425 MHz on the display) the indicated frequency will suddenly jump downward. This shows that the divider is no longer able to operate normally. The point at which the display jumps to a radically different value indicates the maximum input frequency at which your prescaler will operate.

There is another test that will help locate the critical upper frequency. While slowly increasing the input signal frequency, watch the least significant digits on the display of the counter. As the maximum operating frequency is approached these digits will become erratic, indicating that the phase noise on the prescaler's output is becoming significant. This flickering occurs a few megahertz below the cutoff frequency.

If you wish to vary the power supply voltage slightly, you may be able to find a point at which the maximum operating frequency is increased. However, I found that presetting the supply to  $-7$  volts is nearly optimal, and that adjusting the voltage never raised the upper frequency limit by more than a small amount.

Another good test of the prescaler is to count a signal whose frequency is near the maximum limit for the counter itself, note the frequency displayed, and then count the same signal using the prescaler. If the counts (after multiplying by four) are very nearly the same, the prescaler is probably operating correctly.

The most serious shortcoming of this prescaler module is its limited dynamic range. Typically, the input signal must be in the range of 200 to 1600 mV p-p for proper operation. The dynamic range could be extended by the use of an input stage of amplification and limiting. The problem with this approach is that the amplifier stage must be broadband, covering at least 600 to 1500 MHz; such amplifiers are not easily built. AvanteK<sup>2</sup> has published an application

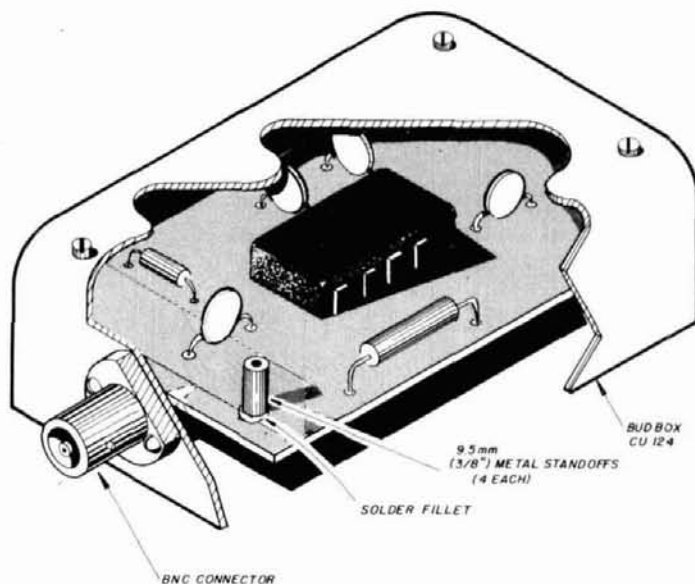


fig. 3. Mounting details for the divide-by-four prescaler. The center pin of the BNC connectors is soldered to the trace on the printed circuit board.

note which covers the construction of a 40-dB dynamic range preamplifier covering 25 to 1000 MHz. Using thin-film hybrid amplifier modules to achieve its performance, its principal shortcoming lies in the cost — more than \$120.

The simple prescaler described here, even without a preamplifier, is a useful test instrument. If the input signal's amplitude is outside the operating range, the prescaler does not produce spurious outputs — it simply stops operating. As long as the input signal source can provide at least 1 mW, some attenuator level can be found which will permit operation of the scaler. Several versions of this prescaler module have been built. All functioned without problems and all had a maximum operating frequency of at least 1500 MHz.

## references

1. Chris Cogburn, K5VKQ, "How to Design Regulated Power Supplies," *ham radio*, September 1977, page 58.
2. "A 1-GHz Prescaler Using GPD Series Thin-Film Amplifier Modules," *AvanteK Application Note ATP 1036*, AvanteK Corporation, 3175 Bowers Avenue, Santa Clara, California 95051.

ham radio



# Hy-Gain 3750


## An Exclusive State of the Art

Hy-Gain's 3750 covers all amateur bands from 1.8 through 30 MHz. It utilizes advanced Phase-Lock-Loop circuitry, dual gate Mos Fet's at all critical RF amplifier and mixer stages, a narrow band SSB crystal filter and a 50 kHz T-notch filter.

The 3750 also incorporates audio and microphone compression circuits, ALC and specially developed S-2002 tubes.

Hy-Gain's optional 3855 VFO provides stable operation with less than 100 Hz of drift (after a 30 minute warm-up). Up to seven crystal-controlled frequencies may be selected on any band. The frequency of the 3855 is displayed on the digital display of the main unit. Incremental tuning controls allow independent tuning of both the receive and transmit frequencies simultaneously.

Hy-Gain also offers the 3854 matching speaker unit. This 5-inch PM Dynamic Speaker features a full four watts of input power to perfect the ultimate amateur radio communications system.



Hy-Gain 3750 with optional Hy-Gain 3855 VFO and Hy-Gain 3854 Matching Speaker

**hy-gain**

# A *Christmas* MESSAGE TO ALL...

In this Christmas season, when our thoughts and desires are turned toward material possessions, we offer, for your consideration, one possession of lasting value which will truly satisfy an inner hunger.

There is an area of human desire that can only be satisfied by our Heavenly Father. We can attempt to satisfy this area in our life with material possessions, but it will not be successful.

The Bible tells us in Psalms 37:4, 5; "Delight thyself also in the Lord, and He shall give thee the desires of thine heart. Commit thy way unto the Lord; trust also in Him, and He shall bring it to pass". (KJV)

Jesus tells us in the Gospel of John that He is the way, the truth and the life. If we believe this, follow His teachings and obey His commands, we may ask any request of Him and it will be granted. He has told us this so we will be filled with His joy.

His way for our life will fulfill our desires and solve the complex and confusing problems of this life. Jesus said, "I am come that they might have life, and that they might have it more abundantly". John 10:10b (KJV)

God's plan for our life makes us a complete person through Jesus Christ. Please accept His love and have a blessed Christ-centered holiday season.

*"73" from the gang*

**MATRIC**

RD 1 • BOX 185A • FRANKLIN, PA 16323

**CALL **RUSH** TOLL FREE**  
ELECTRONICS, INC.

**1-800-251-0264**

**TENN. RESIDENTS 1-615-764-0831**

AUTHORIZED DEALERS FOR

YAESU	ROHN TOWERS
DENTRON	LARSEN
CUSHCRAFT	TURNER
WILSON	CDE
HY-GAIN	HUSTLER
CES	KDK
BENCHER	VIBROPLEX
ATRONICS	ALLIANCE
	TEMPO

AND MORE...  
ALSO: THE APPLE II PERSONAL  
COMPUTER SYSTEM

**CALL OR WRITE FOR THE  
BEST PRICES**

**ON AMATEUR EQUIPMENT**



**DENTRON  
SUPER TUNER  
PLUS**  
Reg. 149.50 **\$135.00**

**SUPER TUNER PLUS**  
A full 1000 watts CW and  
1200 watts 55B power  
handling capacity.

**RUSH**  
ELECTRONICS, INC.



**SOUTH'S FASTEST GROWING AMATEUR STORE**

1315 BLUFF CITY HWY. BRISTOL, TN. 37620



**HAM  
REPEATER  
AUTOPATCH**  
Offer your club **COMPLETE**  
emergency communications

Commercial quality, gold plated contacts, plug in, epoxy glass PC boards. 12 volt DC or 115 volt AC operation - Power supply included. Four digit access - Single digit releases - field programmable. Hybrid network - No switching required. FCC certified telephone line coupler. Auxiliary "In Use" contacts supplied. Land line "call-in" signalling control contacts provided. Price complete **\$498** + \$3 shipping & handling. Master Charge, Bank money order, or certified check acceptable.

Accessories: CES-300 powered tone pad - **\$59** BUS-COM Soft-touch® telephone powered mike/pad element - **\$34.95**.



**MONROE ELECTRONICS, INC.**

410 Housel Ave., Lyndonville, N.Y. 14098

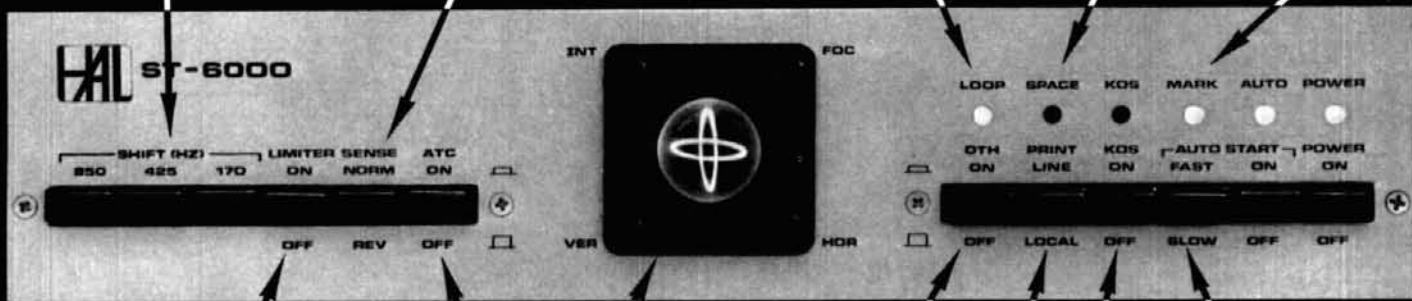
# Full Features and Superior Performance

## ST-6000 RTTY DEMODULATOR

Select Rx & Tx Shifts  
 Accurately Tuned Rx Filters  
 Crystal Controlled Tx Tones  
 True Transceive Operation

Invert Both Rx Demod,  
 and Tx Tones

Data Status Indicators  
 Loop 1 Post-Autostart Pre-Autostart



Hard-Limiting [FM]  
 or  
 Non-Limiting [AM]  
 Reception

Correct for  
 Bias Distortion

Correct For  
 Multi-Path Distortion

Local Loop Operation

Autostart with:  
 ◦ Motor Control  
 ◦ Mark Hold  
 ◦ Antispace

Tuning Oscilloscope  
 [Front Panel Controls]  
 Meter Indicator Option  
 Also Available

Automatic Tx/Rx Station  
 Control with Keyboard  
 Operated Switch [KOS]



Why not have the best?

The HAL ST-6000 Demodulator offers outstanding performance, versatility, and ease of operation. The Receive Demodulator features multiple-pole active filters available for "high" or "low" tones. These filters are frequency-matched to the transmit tone crystals for true transceive operation. Input bandpass filters, discriminator filters, and post-detection filters are carefully designed and tested for optimum weak-signal recovery. The ST-6000 has an internal loop power supply, 2 loop keyers, RS-232, MIL-188C, and CMOS data I/O, and rear panel connections to data and control circuits for connection to UART and computer devices. Use it with the HAL DS-3000 KSR for the best in RTTY performance.

**\$595.00**

Write today for HAL's latest RTTY catalog.



**HAL COMMUNICATIONS CORP.**  
 Box 365  
 Urbana, Illinois 61801  
 217-367-7373

For our Overseas customers:  
 see HAL equipment at:  
 Richter & Co.; Hannover  
 I.E.C. Interrelco; Bissone  
 Vicom Imports; Auburn, Vic., Australia

# NEW products

For literature on any of the new products, use our *Check-Off* service on page 150.

## vlf-hf communications receiver



The new HF1030 communications receiver introduced by Communications Product Corporation is a fully synthesized, tunable, solid-state receiver that covers the frequency range from 10 kHz to 30 MHz in 10-Hz steps. Designed by Dr. Ulrich L. Rohde, DJ2LR, well known to *ham radio* readers for his many contributions to modern high-frequency receiver design, the HF1030 has many unusual features not previously available. Included are frequency preset, remote control, and remote programmability — features which permit the receiver to be used in computer-based communications systems. Communications Product Corporation is presently working with Tektronix on a system for military applications which allows a Tektronix 4051 computer to store and decipher Morse code and RTTY transmissions. The Tektronix 4051 computer is also capable of remotely controlling and programming the HF1030 via an inter-

phase card and IEEE bus, allowing simultaneous control of up to 30 separate HF1030 receivers.

Other features of the HF1030 include provision for all reception modes (a-m, ssb, and CW), 455-kHz output for FSK demodulation (FSK filter built in), selectable i-f bandwidths, electronic bandpass tuning, and excellent immunity to strong-signal overload. The two selectable tuning speeds of the optical shaft encoder (1800 Hz and 180 Hz per 360° dial revolution) give the feel and smoothness of an analog VFO in quasi-continuous tuning with absolutely backlash-free performance while retaining the accuracy and stability of the internal or external frequency standard. No separate MHz control is required — the frequency may be preset with the thumbwheel switches, then returned to VFO control; the fast-switching synthesizer permits frequency jumps of 30 MHz in less than 10 milliseconds.

All internal frequency control, including the BFO, is derived from a master crystal standard; worst case frequency stability for the oscillator is 1 Hz/C°. For more demanding stability requirements, there is provision for an external rubidium or cesium standard. The fully synthesized BFO provides a  $\pm 5$  kHz tuning range. Almost all frequency synthesizer circuitry is based on CMOS circuits; this reduces power consumption to less than 2 watts and enhances reliability because of heat reduction. Spectral purity of the synthesizer is improved because of the great reduction of digital noise. The CMOS memories and standby battery provide storage of frequency data for at least one year in the event of power failures; upon restoration of power, the receiver will return to the previously tuned frequency.

The HF1030 receiver uses a specially developed, high-level double-balanced mixer with monolithic hot-carrier diodes, which is terminated in a low-noise amplifier with heavy feedback for excellent sensitivity without any requirement for an rf amplifier.

Sensitivity on CW, FSK, and ssb is typically 0.5  $\mu$ V for 10 dB signal-to-noise ratio; a-m sensitivity is 2.6  $\mu$ V typical for 10 dB S/N. The noise figure is less than 10 dB from 1-30 MHz. The third-order input intercept point is +20 dBm (signals separated 30 kHz); second-order IMD is -80 dB.

The first i-f of the HF1030 is at 40.455 MHz; the second i-f is at 455 kHz. To improve input selectivity the 8-pole 40.455-MHz crystal filter has a bandwidth of  $\pm 4$  kHz with a 1:2 shape factor; this filter was designed specifically for low intermodulation distortion products. The five built-in 455-kHz i-f filters have been specially selected for optimum performance on ssb (2.7 kHz), CW (375 Hz), FSK (1.9 kHz), and a-m (5.8 kHz). The built-in bandpass tuning feature (controlled by the main tuning knob) is accomplished by electronically shifting the frequencies of the LO and BFO.

The very effective AGC system used in the HF1030 receiver has a minimum range of 120 dB with a threshold at 0.2  $\mu$ V; there is less than 6 dB audio change with rf inputs from 1  $\mu$ V to 100 mV. On ssb, the AGC attack time is 100 ms; hold time is 1.6 seconds and release time is 50 ms (typical). For a-m reception, AGC attack time is 10 ms; release time is 35 ms.

Other features of the HF1030 include a very effective squelch system which discriminates between man-made noise or electrical noise and voice or other wanted transmissions. *Editor-in-chief W1HR had an opportunity to compare the performance of the HF1030 against several other high-frequency receivers and reported that "It's probably the best communications receiver I've ever used; weak signals that were completely covered by noise and internal IMD in other receivers were solid copy on the HF1030. It's amazing how much of the splatter hams complain about is actually being generated right in their own receivers!"*

The receiver uses modular construction with easy access to all assemblies; its compact size allows two

HF1030 receivers to be mounted side by side in a single rack panel. The set measures 8.24 inches wide, 5.22 inches high, and 14.48 inches deep (21 × 13.3 × 36.8 cm); weight is 18 pounds (8.2 kg). Total power consumption (all LED displays on) is less than 15 watts. Power requirement is 110/220 Vac, 47-400 Hz at 25 watts, or 15 to 25 Vdc at 1 amp. Further information on the HF1030 Communications Receiver can be obtained from Rohde & Schwarz Sales Company, (U.S.A.) Inc., 14 Gloria Lane, Fairfield, New Jersey 07006.

## bencher keyer paddle



Bencher, Inc., of Chicago, is producing a dual-lever, iambic keyer paddle that has a lot of features you'll find helpful for ease and reliability in CW operation. Some of these features are dual adjustment of spring tension on the paddles to match the "feel" to your fist; precision contact adjustments with a set-screw locking feature so the adjustment stays where you want it; and a heavy steel base, equipped with nonskid feet so you don't have to chase the paddle around the desk top.

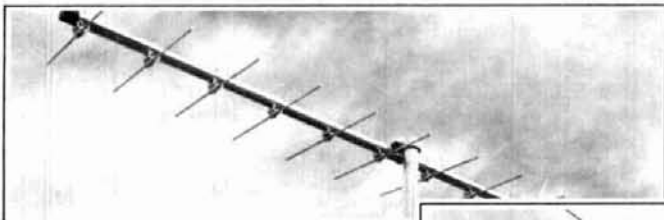
The contact points are solid silver, for a lifetime of flawless keying. Nylon bearings are used on the keying shafts, and the bearings float on machined brass fittings for a self-aligning action. Spring tension prevents play and sloppiness, eliminating contact bounce and backlash.

The Bencher Ultimate Paddle looks good and works well. The frame, posts, and bearing ring are all precision machined from solid brass stock, polished and plated for durability and first-rate appearance.

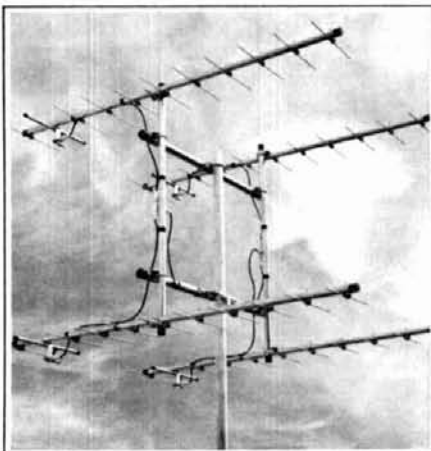
You can obtain the model BY-1 (standard black-finish base) for

# CUSHCRAFT IS THE VHF-UHF ANTENNA COMPANY.

Cushcraft precision engineered VHF/UHF Yagi beams have become the standard of comparison the world over for SSB and CW operation on 6 meters through 432 MHz. Built by skilled craftsmen from the best available materials, these beams represent that rare combination of high electrical performance, rugged construction, and durability.

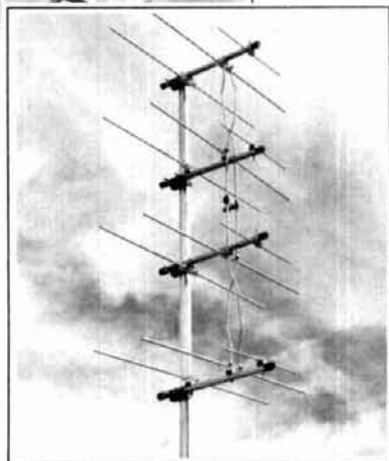


1 1/2-2 Meter Yagi



Quad Array

Cushcraft's Quad Arrays for 144, 220, and 432 MHz use four matched 11-element Cushcraft Yagis and are the ultimate in a high-performance Yagi array. These arrays have been carefully engineered for maximum forward gain, high front-to-back ratio, and broad frequency response. All antennas provide a low VSWR match to 50-ohm coaxial feedline.



20 Element DX Array

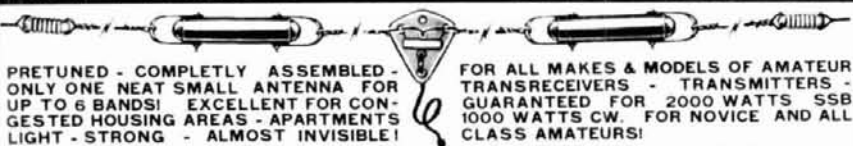
Cushcraft's wide variety of VHF/UHF Beams includes an antenna for every amateur activity above 50 MHz, whether local ragchewing or long-haul over-the-horizon DX. All models have been carefully optimized for maximum forward gain with high front-to-back ratio. The heavy-wall bright hard-drawn aluminum booms and elements are combined with heavy formed aluminum brackets and plated mounting hardware for long operating life and survival in severe weather.



UPS SHIPPABLE

In Stock With Dealers World Wide P.O. Box 4680, Manchester, N. H. 03108

# ALL BAND TRAP ANTENNAS!



PRE-TUNED - COMPLETELY ASSEMBLED - ONLY ONE NEAT SMALL ANTENNA FOR UP TO 6 BANDS! EXCELLENT FOR CONGESTED HOUSING AREAS - APARTMENTS! LIGHT - STRONG - ALMOST INVISIBLE!

FOR ALL MAKES & MODELS OF AMATEUR TRANSCEIVERS - TRANSMITTERS - GUARANTEED FOR 2000 WATTS SSB 1000 WATTS CW. FOR NOVICE AND ALL CLASS AMATEURS!

COMPLETE AS SHOWN with 90 ft. RG58U-52 ohm feedline, and PL259 connector, insulators, 30 ft. 300 lb. test dacron end supports, center connector with built in lightning arrester and static discharge - molded, sealed, weatherproof, resonant traps 1" X 6" - you just switch to band desired for excellent worldwide operation - transmitting and receiving! WT. LESS THAN 5 LBS.

160-80-40-20-15-10 bands 2 trap --- 138 ft. with 90 ft. RG58U - connector - Model 777BU . . . \$54.95  
80-40-20-15-10 bands 2 trap --- 102 ft. with 90 ft. RG58U - connector - Model 998BU . . . \$49.95  
40-20-15-10 bands 4 trap --- 54 ft. with 90 ft. RG58U coax - connector - Model 1001BU . . . \$48.95  
20-15-10 bands 2 trap --- 26 ft. with 90 ft. RG58U coax - connector - Model 1007BU . . . \$47.95

SEND FULL PRICE FOR POST PAID INSURED DEL. IN USA. (Canada is \$5.00 extra for postage - clerical - customs - etc.) or order using VISA Bank Americard - MASTER CHARGE - AMER. EXPRESS. Give number and ex. date. Ph 1-308-236-5333 9AM - 6PM week days. We ship in 2-3 days. PRICES MAY INCREASE SO - ORDER NOW AND SAVE! All antennas guaranteed for 1 year. Money back trial! Made in USA. FREE INFO. AVAILABLE ONLY FROM.

WESTERN ELECTRONICS

Dept. AR-12

Kearney, Nebraska, 68847

## HAND HOLDING? . . . LET

**DATA SIGNAL** *put rings on your fingers . . .*

with our **SUB-MINIATURE ENCODERS**



The world's smallest hand-held goes hand-in-hand with the world's smallest, lightest and least expensive T-T Pads.

**MODEL SME** — Smallest available Touch Tone Encoder. Thin, only .05" thick, keyboard mounts directly to front of hand-held portable, while sub-miniature tone module fits inside. This keyboard allows use of battery chargers. Price \$29.00, with your choice of keyboards. **SME** (less keyboard) \$24.00



**DTM**

or,

**SME**

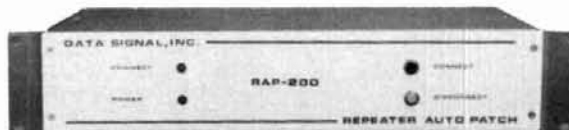


**MODEL DTM** — Completely self-contained miniature encoder for hand-held portables. Only 5/16" thick. Three wire connection. Automatic PTT keying optional. With your choice of keyboards. Price DTM - \$39.00, DTM-PTT - \$49.00.

\*Touch-Tone is a registered trade name of AT&T.

*. . . And Bells on Your Toes*

with our **AUTOPATCH** — Ready to go!



A Complete Autopatch facility that requires only a repeater and a telephone line. Features include single-digit access/disconnect, direct dialing from mobile or hand-held radios, adjustable amplifiers for transmitter and telephone audio, and tone-burst transponder for acknowledgement of patch disconnect.

**RAP-200 P. C. Card**  
**RAP-200R Rack Mount**

**\$199.50**  
**\$249.50**



Be sure to ask about  
our new keyers and CW  
memory for CW buffs.



**DATA SIGNAL, INC.**

2403 COMMERCE LANE ALBANY, GEORGIA 31707

912-883-4703

\$39.95; or the BY-2 (polished chrome-plated base) for \$49.95. Bencher will quote the price of a Gold Plated Presentation model (BY-3) upon request. The paddles are available at selected dealers, or direct from Bencher, Inc., 333 West Lake Street, Chicago, Illinois 60606.

## Palomar synthesized transceiver



The Palomar PTR-130K is the first completely multi-functional transceiver ever made available to the public. It incorporates some of the most advanced features of logic technology. The PTR-130K is a miniaturized mobile transceiver capable of operating with 100-Hz resolution from 100 kHz to 30 MHz, in all modes of transmission and reception (ssb, CW, fm, and a-m). Instant frequency selection is available at the touch of a finger.

The transceiver has a built-in rf compressor to increase effective transmitter output by 12 dB (16 times). Two cascaded Collins mechanical filters in the receiver provide superior selectivity, with a typical shape factor of 1:1.25 (3 dB/60 dB). These, and many other features, are packed into a small, 16.5 x 6.3 x 20 cm (6-1/2 x 2-1/2 x 8-inch) package. Power output is 5 watts on a-m, 12 watts on other modes.

The PTR-130K is the latest in a long line of innovative electronics products from Palomar Electronics Corporation, 665 Opper Street, Escondido, California 92025.

## "Band-Aids" Handbook

James Dersch, WD0AJE, has just published *Band-Aids*, which he calls the "Radio Amateur Operator's Handiest Handbook." If you've ever

had to frantically search for some bit of information in the midst of a QSO or contest, you will agree with that description.

*Band-Aids* is a spiral-bound booklet full of handy information in a multitude of categories. It contains many operating aids that the amateur will find useful — perhaps essential — during the many activities he pursues. It has maps and lists for such things as the Worked All States award (WAS), time-zone information, abbreviations, IACO word list (phonetic alphabet), OSCAR frequencies, U.S. 160-meter allocations, W1AW broadcast schedule, third-party agreement information, amateur network listings and Q-signals, international prefix lists, and many other bits and pieces that are always needed at your fingertips but manage to get lost at the wrong time.



In the nonoperating category, *Band-Aids* contains useful material on metric conversions, resistor (and other component) color coding, schematic-diagram symbols, telephone touch-tone frequencies, vswr nomograph, some useful formulas, and much more.

*Band-Aids* contains 110 pages, and measures 14 x 21 cm (5-1/2 x 8-1/2 inches). The spiral binding allows it to lie flat, and the compact size allows it to fit comfortably on even the smallest of operating positions. You can obtain one from Ham

## The complete receiver audio active filter YOU CAN DO IT SIMULTANEOUSLY with both NOTCH and BANDPASS filters.

**NOTCH FILTER**  
CONTINUOUSLY VARIABLE  
300 - 1400 HZ.

NOTCH DEPTH FIXED AT  
NO LESS THAN 30 DB.

INDEPENDENT OF BAND-  
PASS CONTROLS.

MAY BE CENTERED FROM  
200 - 1400 HZ.



**SL-55**  
**Audio Active Filter**

**BANDPASS FILTER**  
CONTINUOUSLY VARIABLE  
200 - 1400 HZ.

CENTER FREQUENCY CON-  
TINUOUSLY VARIABLE  
FROM 200 - 1400 HZ.

CHANNEL WIDTH CONTINU-  
OUSLY VARIABLE FROM  
14 TO MORE THAN 1400  
HZ -- 3 DB.

**WARRANTY**  
**ONE YEAR**

Both filters are cascaded with a fixed  
lowpass filter (18 dB/octave rolloff  
above 1400 Hz) for optimum SSB  
filtering. (3.5x5.5x7.5 inches)

**FULLY**  
**RFI PROOF**

CONTAINS 115 VAC POWER SUPPLY. REQUIRES LOW IMPEDANCE (4-16 OHM) AUDIO DRIVE FROM ANY RECEIVER. CONNECTS IN SERIES WITH AUDIO OUTPUT LINE AND WILL DRIVE SPEAKER OR HEADPHONES. AUDIO OUTPUT POWER ONE WATT. WE WILL MODIFY TO 240 VAC FOR FOREIGN USE FOR \$1.00 ADDITIONAL. FRONT PANEL BY-PASS SWITCH RESTORES AUDIO PATH TO ITS ORIGINAL CONFIGURATION.

**NET: \$72.50**

Collins gray cabinet and dark gray wrinkle panel

postpaid in the USA and Canada. Virginia residents add 4% sales tax

## ERC INTRODUCES A BRAND NEW CON- CEPT IN THE MEASUREMENT OF VSWR AND POWER ACCEPTED BY THE LOAD

REQUIRES 115 VAC AT  
LESS THAN 1/16 AMP.

COLLINS GRAY CABINET.  
WRINKLE PANEL - BRIGHT  
RED LED DIGITS (.33").  
DECIMAL POINT IS THE  
PILOT LIGHT.



### ANTENNA PROJECTS

1.8 - 30MHz

THE MODEL SL-65\* (20 - 2000 WATTS) AND THE MODEL SL-65A\* (0.2 - 20 WATTS) DIGITAL VSWR AND NET POWER INDICATORS PROVIDE INSTANTANEOUS AND CONTINUOUS DISPLAYS OF VSWR AND NET POWER ACTUALLY ACCEPTED BY THE ANTENNA. THERE ARE NO BUTTONS TO PUSH OR CALIBRATION SETTINGS. EITHER MEASUREMENT IS DISPLAYED WITHOUT DIGITAL READOUT FLICKER THE INSTANT RF HITS THE COAX FOR VIRTUALLY ANY TYPE OF MODULATION - - - EVEN SSB AND CW GREATER THAN 10 WPM. THERE IS NOTHING LIKE IT AVAILABLE ANYWHERE ELSE. CHECK THE PERFORMANCE SPECIFICATIONS BELOW.

TWO 50-239 COAX CONNECTORS  
ARE AT THE REAR PANEL.

DIMENSIONS 3.5 X 5.5 X 7.5  
INCHES.

WEIGHT IS 2 POUNDS.

**SL-65A GREAT FOR  
QRP & CB**

SL-65  
VSWR INDICATOR

**WARRANTY**  
**ONE YEAR**

SL-65  
NET POWER INDICATOR

- TWO DIGIT DISPLAY SHOWS VSWR TO AN ACCURACY OF .1 FOR VALUES FROM 1.0 AND 2.2. ACCURACY IS TO .2 FOR VALUES FROM 2.3 TO 3.4 AND TO .3 FROM 3.4 TO 4.0. FROM 4.1 TO 6.2 THE INDICATION MEANS THAT VSWR IS VERY HIGH.

- FOR VSWR VALUES NEAR 1.0, THE POWER RANGE FOR A VALID READING IS 20 - 2000 WATTS OUTPUT. FOR HIGHER VALUES THE UPPER POWER LIMIT FOR A FLICKER FREE VALID READING IS SOMEWHAT LESS (35 - 1000 WATTS FOR VSWR AT 2.0).

- DIVIDE THE ABOVE POWER LEVELS BY 100 TO OBTAIN THE PERFORMANCE OF THE SL-65A QRP MODEL.

- THE POWER DISPLAYED IS THE DETECTED PEAK OF THE PEP FOR ANY MODULATION. THIS IS THE POWER THAT THE TRANSMITTER IS "TALKED" UP TO. DISPLAY DECAY TIME IS ABOUT ONE SECOND.

- THE POWER DISPLAYED IS THAT WHICH IS ACCEPTED BY THE ANTENNA (FORWARD LESS REFLECTED).

- POWER IS DISPLAYED ON THE SAME TWO DIGITS AS VSWR IN TWO AUTORANGED SCALES. 20 TO 500 WATTS AND 500 TO 2000 WATTS. TRIP OVER AT THE 500 WATT LEVEL IS AUTOMATIC EX: A READING OF 1.2 COULD MEAN 120 OR 1200 WATTS. YOU MUST KNOW WHICH RANGE YOU ARE IN.

- ACCURACY IS TO 10 WATTS IN THE LOWER RANGE AND 100 WATTS IN THE UPPER RANGE. DIVIDE POWER SPECS BY 100 FOR SL-65A.

SURFACE POSTPAID IN US & CANADA  
PRICE: \$189.50. VIRGINIA RESIDENTS ADD 4% SALES TAX. TEL. (804) 463-2669

BOOKLET AVAILABLE AT  
\$2.00 REDEEMABLE TO-  
WARD PURCHASE.  
\*PATENT PENDING

ELECTRONIC RESEARCH CORP. OF VIRGINIA  
P. O. BOX 2394  
VIRGINIA BEACH, VIRGINIA 23452

# ANTECK, Inc.

PHONE (208) 324-3400  
BOX 543  
JEROME, IDAHO 83338

**MODEL MT-1 MOBILE ANTENNA.** Tunes 3.5 to 30 Mhz inclusive. Conservatively rated at 750 watts P.E.P.

Tunes Ham Bands, Short Wave Bands, Military, MARS, and CB. Full output from solid state finals. Tuned from the base with logging scale to locate your favorite frequency's in seconds. Unaffected by moisture and the elements.

**FEATURES** Fiberglass loading coil; Base tuned with logging scale; Modular construction.

SEE PAGE 103, HAM RADIO NOVEMBER ISSUE, FOR FULL FEATURES. CONTACT YOUR LOCAL DEALER.

Join the Mobile activity during the upswing of Cycle 21 with a Mobile Antenna that provides ease of operation and the utmost in efficiency. Users report 5-9 signals from the European and Asian Continents on 20 meters, with 200 watts P.E.P.

Amateur Net: \$119.95

Master Charge and VISA accepted.

MERRY XMAS

Radio's Communications Bookstore, Greenville, New Hampshire 03048, for \$7.95, plus 40 cents shipping and handling. Order CC-BA.

## tunable sub-audible tone encoder



Vega introduces its new subminiature, subaudible tone encoder for hand-held as well as routine mobile radio applications. The Model 188 is ideal for one-way, tone-protected applications where all mobiles are equipped to transmit, but not to receive, tone. The tone frequency is continuously field tunable and no modifications or elements are required to establish the tone frequency. Extremely stable, the Model 188 maintains frequency and level accuracy over the temperature and voltage variations found in mobile radio environments. The unit measures 2 x 2 x 1.3 cm (0.8 x 0.85 x 0.52 inch) and is backed by a three-year warranty. It is available for quick delivery.

For further information, contact VEGA, 9900 Baldwin Place, El Monte, California 91731.

## amateur antenna catalog

A new catalog covering their comprehensive line of mobile and base station antennas for amateur radio applications has just been issued by Antenna Incorporated, Cleveland, Ohio. The 8-page catalog provides detailed descriptions and complete electrical and mechanical specifications on some 4 dozen ham antennas, including 10 meter, 6 meter, 2 meter, 3/4 meter, and 1-1/4 meter types.

# 'THE PROFESSIONALS'

**NEW** MODEL CTR-2A • 500 MHz & 1 GHz **COUNTERS**

NEW  
Period  
Measurement

1 us to  
1 sec.



NEW  
Built-in  
Pre-Amp

10 mv @  
150 MHz

The New Model CTR-2A Series Counters are designed and built to the highest standards to fulfill the needs of commercial communications, engineering labs and serious experimenters. With an accuracy of + .00005% (oven option) the CTR-2A can handle the most critical measurements and is about half the cost of other commercial counters.

If you need a reliable counter at an affordable price, the CTR-2A is the answer.

- Built-in Pre-Amp 10 mv @ 150 MHz
- 8 Digit .3" LED Display
- High Stability TCXO Time Base
- Built-in VHF-UHF Prescaler
- Automatic Dp Placement
- TCXO Std. ± 2 ppm
- Period Measurement (Optional)
- Input Diode Protected
- 12V-DC Operation (Optional)
- Oven Controlled Crystal (Optional) ± .5 ppm
- Selectable Gate Times - .1 & 1 sec.

500 MHz Kit CTR-2A-500K	.....	\$249.95
500 MHz Assembled CTR-2A-500A	.....	349.95
1GHz Kit CTR-2A-1000K	.....	399.95
1GHz Assembled CTR-2A-1000A	.....	549.95

**OPTIONS . . . .**

02) Oven Crystal	\$49.95	05) 10 sec. Time Base	\$ 5.00
03) .43" LED	10.00	06) Period	15.00
04) 12 V-DC	10.00	07) Handle	10.00

**PROBES**  
Hi-Z  
\$15.00  
•  
Low Pass  
\$15.00



DAVIS ELECTRONICS 636 Sheridan Dr., Tona., N.Y. 14150 716/874-5848



Thirteen types of mountings are available, according to Randall J. Friedberg, vice president and sales manager. The antennas are designed for 100, 150, and 200-watt power ranges. The mobile units are designed for temporary or permanent installation on all types of vehicles, Friedberg said.

All of the antennas and accessories described in the 8-page booklet are manufactured in the United States and of highest quality materials to assure dependable performance.

Copies of the catalog are available free on request from Antenna Incorporated, 26301 Richmond Road, Cleveland, Ohio 44146.

### CW/ssb active filter

MFJ Enterprises has introduced two new CW and ssb active filters. The top-of-the-line model is called the MFJ-721 Super Selector CW/ssb Filter. It has a 2-watt audio amplifier, switchable noise limiting, and an input selector switch for two rigs.



The CW filter is an 8-pole active filter (4 cascaded stages) centered nominally at 750 Hz. It has four selectable bandwidths, 180, 150, 110, and 80 Hz. In the 80-Hz position, the response is at least 60 dB down one octave from the center frequency. It drastically reduces noise and provides up to 15 dB improvement in signal-to-noise ratio.

With a pair of stereo headphones, simulated stereo reception directs the narrow, filtered signal to one ear and the unfiltered signal to the other. The ears and brain then reject the interference, but allow off-frequency calls to be heard.

The ssb filter dramatically improves

# BI-LATERAL



## DIGS OUT THE WEAK SIGNAL AND BOOSTS THE POWER !!!

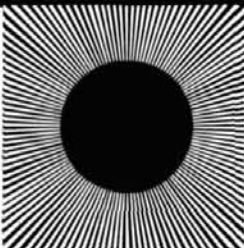
Now Westcom gives you twice the advantage... a low noise receiver preamplifier and an output power amplifier, all in the same package! No modification of your transceiver is required since it's all in one high performance, low cost unit. The low noise U310 J-FET yields 12dB gain, 2dB NF, and the receive amp may be used independent of power amp. This unit is a natural for OSCAR uplink or long haul weak signal TROPO work. Available in 90w or 125w

- An add-on unit, no internal connections or adjustments required to associated equipment
- Standard Amplifiers operate FM, Linear Models operate all modes: SSB, FM, AM, RTTY, CW
- Diffused emitter ballasting resistors achieve extreme ruggedness under severe operating conditions
- Withstands 20:1 VSWR under specified operating conditions
- "Microstrip" design provides high stability and optimum performance over wide bandwidth
- Factory adjusted, no tuning required
- Mobile mounting bracket included
- RF sensing T/R switching, adjustable drop-out delay (SSB/CW Mode)
- Remote keying capability
- Thermally coupled biasing
- Reverse Voltage protected
- Detachable fused power connector
- Conservatively rated with oversized heat sink
- Compact: 4 1/8 x 5 1/2 x 2 5/8
- Red LED indicators for monitoring DC and RF
- One year material and workmanship limited warranty

MODEL NO. (two meter)	INPUT POWER (watts)	MINIMUM OUTPUT W. (at max input)	MAXIMUM CURRENT 13.8 VDC	PRICE
<b>FM Mode</b>				
2m 15x70	5-15	70	8	\$119.95
2m 15x90	5-15	90	11	\$134.95
2m 25x125	10-25	125	18	\$164.95
<b>All Mode-Linearized</b>				
2m 15x70L	2-15	70	8	\$129.95
2m 15x90L	2-15	90	11	\$149.95
2m 25x125L	5-25	125	18	\$179.95
<b>All Mode-Linearized with pre-amp</b>				
2m 15x90BL	2-15	90	11	\$179.95
2m 25x125BL	5-25	125	18	\$209.95

\*Linear; AM, CW, FM, SSB, RTTY. Linear models work well with low power transmitters of 2-3 watts to yield 30-40w output. Size: 4 1/8 x 5 1/2 x 2 5/8

If not available from your local dealer, contact:



# WESTCOM

ENGINEERING

1320 Grand Avenue San Marcos  
California 92069 (714) 744-0728

# Heavy Duty Power Supplies

## from **ASTRON**

### High Quality • Rugged • Reliable

#### SPECIAL FEATURES

- SOLID STATE ELECTRONICALLY REGULATED
- FOLD-BACK CURRENT LIMITING Protects Power Supply from excessive current & continuous shorted output.
- CROWBAR OVER VOLTAGE PROTECTION on Models RS-7A, RS-12A, RS-20A, & RS-35A.
- MAINTAIN REGULATION & LOW RIPPLE at low line input Voltage.
- HEAVY DUTY HEAT SINK • CHASSIS MOUNT FUSE
- THREE CONDUCTOR POWER CORD
- ONE YEAR WARRANTY • MADE IN U.S.A.

#### PERFORMANCE SPECIFICATIONS

- INPUT VOLTAGE: 105 - 125 VAC
- OUTPUT VOLTAGE: 13.8 VDC  $\pm$  0.05 volts (Internally Adjustable: 11-15 VDC)
- RIPPLE: Less than 5mv peak to peak (full load & low line)
- REGULATION:  $\pm$  .05 volts no load to full load & low line to high line



**ASTRON 35 AMP REGULATED POWER SUPPLY Model RS-35A**  
 25 Amps continuous  
 35 Amps ICS \*  
 5" (H)  $\times$  11" (W)  $\times$  11" (D)  
 Shipping Weight 28 lbs.  
 Price . . . . . \$136.95

Other popular POWER SUPPLIES also available: (Same features and specifications as above)

Model	Continuous Duty (amps)	ICS* (amps)	Size (in.) H $\times$ W $\times$ D	Shipping Wt. (lbs.)	Price
RS-20A	16	20	5 $\times$ 9 $\times$ 9	19	\$94.95
RS-12A	9	12	4 $\times$ 8 $\times$ 9	13	\$72.95
RS-7A	5	7	3 1/4 $\times$ 6 $\times$ 7 1/2	7 1/2	\$49.95
RS-4A	3	4	3 1/4 $\times$ 6 $\times$ 7 1/2	5	\$39.95

\*ICS — Intermittent Communication Service (50% Duty Cycle)  
 If not available at your local dealer, please contact us directly.

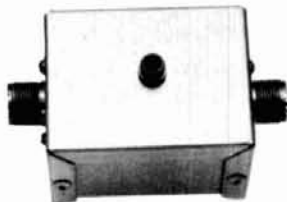
## ASTRON CORPORATION

1971 SOUTH RITCHEY ST., SANTA ANA, CA 92705 (714) 835-0682

# NEW . . . . . CoaxProbe\* . . . . . NEW

## Coaxial RF Probe for Frequency Counters and Oscilloscopes That Lets You Monitor Your Transmitted Signal Directly From the Coax Line.

Only **\$9.95**  
 plus .50 postage



**FINALLY!** A RF PROBE that lets you connect into your coax cable for frequency measurements and modulation waveform checks directly from the transmitter.

**JUST CONNECT THE CoaxProbe\*** into your transmission line and plug the output into the frequency counter or oscilloscope. Insertion loss is less than .2db so you can leave it in while you operate.

**A NECESSITY IN ANY WELL-ORGANIZED HAM SHACK,** the CoaxProbe\* eliminates "jerry-rigging" and hassles when tapping into the coax line is desired.

**A SPECIAL METHOD OF SAMPLING** keeps output relatively constant with a wide variation of power. Power output of 8 watts gives .31v out, while 800 watts will give 1.8v out. (rms 3-30 mhz.) 2000 watts PEP rating too!

\*Trademark of CoaxProbe Co. for rf sampling device.

© 1978 by CoaxProbe Co.

**USE IT ON 2 METER RIGS TO ADJUST FREQUENCY.** The CoaxProbe\* has a range of 1.8 to 150 mhz.

**MONITOR YOUR MODULATION WAVEFORM.** With an oscilloscope of proper bandwidth, you can check your modulation for flat-topping, etc. Ideal for adjusting the speech processor.

**NOW YOU CAN MONITOR SIGNALS** when connected to the dummy load, eliminating unnecessary on-the-air radiation.

**AVAILABLE FOR THE FIRST TIME TO AMATEURS.** Try it for 10 days. If not satisfied, send it back for refund (minus shipping charges).

Order today from:

**CoaxProbe Co.**  
 P.O. Box 426, Portage, MI 49081  
 Dealer Inquiries Invited

readability by optimizing the audio bandwidth to reduce sideband splatter, remove low- and high-pitched QRM, hiss, static crashes and background noise, and eliminate 60- and 120-Hz hum.

A self-adjusting automatic peak clipper is provided for ssb. For CW, another clipper removes background noise that is smaller in amplitude than the signal. The MFJ-720 plugs into the phone jack and drives a speaker or phones with 2 watts of audio. The size is 12.7  $\times$  5  $\times$  15.2 cm (5  $\times$  2  $\times$  6 inches). It requires 9 to 18 Vdc; an optional ac adapter is available. The price is \$59.95.

The MFJ-720 Deluxe Super CW Filter uses the same 8-pole active filter as the MFJ-721. The frequency determining components are hand selected for a response within one Hz of the nominal 750-Hz center frequency. The low-Q cascaded design minimizes ringing. A self-adjusting peak noise limiter is also built in.

The MFJ-720 plugs into the phone jack and drives the speaker or phones. The size is 10.2  $\times$  5  $\times$  15.2 cm (4  $\times$  2  $\times$  6 inches); it requires 9 to 18 Vdc. An optional ac adapter is available. The price is \$44.95.

The MFJ-721 Super Selector CW/ssb Filter and the MFJ-720 Deluxe Super CW Filter are available from MFJ Enterprises; they both have a 30-day, money-back trial period. If you are not satisfied, you may return the filters within 30 days for a full refund (less shipping). MFJ also provides a one-year unconditional warranty.

To order, call toll free 800-647-8660, or mail your order to MFJ Enterprises, Post Office Box 494, Mississippi State, Mississippi 39762. Include \$2.00 for shipping and handling.

## Chemtronics desoldering tool

Chemtronics Inc., of Hauppauge, New York, recently announced the latest addition to its popular line of solder and industrial-chemical prod-

ucts: the D5 Desoldering Tool. This unique new product, which features Chemtronics' highly effective desoldering wick in a specially engineered, refillable dispenser tool, helps technicians remove solder more efficiently while economizing on wick use. D5 may be used alone, or as an integral part of Chemtronics' new SD5 Solder/Desolder System.

The D5 Desoldering Tool consists of a 25-mm (1-inch) clear-plastic cylinder which contains a visible supply of 152 cm (5 feet) of the company's specially formulated desoldering wick. Braid is fed to the wick through a Teflon\* probe that extends from one end of the wick supply. The heat-resistant Teflon probe allows users to desolder with pinpoint accuracy and without burnt fingers, even in high-density circuitry. In addition, the D5 Tool's exclusive probe permits the user to shape or "web" the wick, providing maximum absorbency and further economizing on wick use. When the wick supply is exhausted, the user simply snaps the tool's probe into the D5 Desoldering Tool Wick Refill.

Chemtronics' D5 Desoldering Tool uses the highest-quality braid in natural copper color, which permits the user to see the absorption of solder. The braid, which meets all MIL-specs and NASA publications requirements, is treated with a pure, water-white rosin flux which is nonactivated and free from halogens and corrosive chlorides. This assures complete solder absorption without leaving harmful residue.

The pocket-sized D5 Desoldering Tool is available alone or as part of the SD5 Solder/Desolder System, where it telescopes or snaps in and out of a pound or half-pound spool of Chemtronics' solder. D5 wick refills are also available, in two diameters, allowing the D5 Tool to be economically reused for years. More information is available at Chemtronics distributors or directly from Chemtronics Inc., Solder Products Division, 45 Hoffman Avenue, Hauppauge, New York 11787.

\*Teflon is a registered DuPont trademark.

# VLF Converter

All Palomar Engineers products are made in U.S.A. Since 1965, manufacturers of Amateur Radio Equipment only.



- New device opens up the world of Very Low Frequency radio.
- Gives reception of the 1750 meter band at 160-190 KHz where transmitters of one watt power can be operated without FCC license.
- Also covers the navigation radiobeacon band, standard frequency broadcasts, ship-to-shore communications, and the European low frequency broadcast band.

The converter moves all these signals to the 80 meter amateur band where they can be tuned in on an ordinary shortwave receiver.

The converter is simple to use and has no tuning adjustments. Tuning of VLF signals is done entirely by the receiver which picks up 10 KHz signals at 3510 KHz, 100 KHz signals at 3600 KHz, 500 KHz signals at 4000 KHz.

The VLF converter has crystal control for accurate frequency conversion, a low noise rf amplifier for high sensitivity, and a multipole filter to cut broadcast and 80 meter interference.

All this performance is packed into a small 3" x 1½" x 6" die cast aluminum case with UHF (SO-239) connectors.

The unique Palomar Engineers circuit eliminates the complex bandswitching and tuning adjustments usually found in VLF converters. Free descriptive brochure sent on request.

Order direct. VLF Converter \$55.00 in U.S. and Canada. Add \$2.00 shipping/handling. California residents add sales tax.

Explore the interesting world of VLF. Order your converter today! Send check or money order to:

## Palomar Engineers

Box 455, Escondido, CA. 92025 • Phone: [714] 747-3343

## OLD TESTAMENT

**Therefore the Lord himself shall give you a sign; Behold, a virgin shall conceive, and bear a son, and shall call his name Immanuel (which means God with us)."**

Isaiah 7:14 740-687 BC

**But thou Bethlehem, though thou be little among the thousands of Judah, from you shall come forth one who is to be ruler in Israel, whose origin is from old, from ancient days.**

Micah 5:2 740 BC

## NEW TESTAMENT

**"... the angel Gabriel was sent from God to a city of Galilee, to a virgin betrothed to Joseph, of the house of David; and the virgin's name was Mary... The angel said to her "Do not be afraid Mary, for you have found favor with God. And behold, you will conceive in your womb and bear a son, and you shall call his name Jesus."**

Luke 1:27-31 70-90 AD

**King Herod was troubled and inquired where the Christ was to be born. They told him in Bethlehem of Judea; for so it is written by the prophet (Micah).**

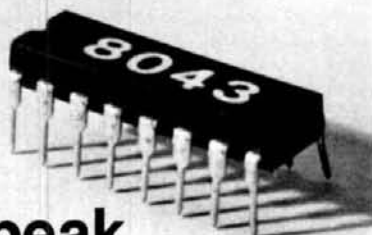
Matthew 2:4-5 60-70 AD

Historical evidence clearly points to Jesus as the man God, who fulfills the literal prophecies of Isaiah and Micah within 800 years. The same God who chose the Virgin Mary to bear Jesus and who chose Bethlehem for the birthplace reveals himself in holy scripture today. We thank him for the birth of Christ this Christmas, 1978.

**Dentron**  
Radio Co., Inc.

2100 Enterprise Parkway  
Twinsburg, Ohio 44087  
(216)425-3173

## CURTIS LSI's help you



## speak MORSE

- ★ 8044; Keyer-On-A-Chip\* (Replaces 8043) . \$14.95  
Apr '75 HR, Feb '76 QST, Radio Hdbk '75, Apr Hdbk '77-78
- ★ 8044-3; IC, PCB, Socket, Manual . . . . . 24.95
- ★ 8044-4; Semi-Kit . . . . . 54.95
- ★ 8045; Morse Keyboard-On-A-Chip IC . . . 59.95
- ★ 8045-1; IC, PCB, FIFO, Sockets, Manual . . . 89.95
- ★ 8045-2; Semi-Kit . . . . . 159.95
- ★ 8046; Instructokeyer-On-A-Chip . . . . . 49.95
- ★ 8046-1; Semi-Kit . . . . . 79.95
- ★ 8047; Message Memory-On-A-Chip IC . . . 39.95
- ★ 8047-1; IC, PCB, RAM, Sockets, Manual . . 69.95

(add \$1.75 on above for postage and handling)

- EK-430; CMOS Keyer\* (Feb '76 QST) . . . . . 124.95
- IK-440A; Instructokeyer\* (Mar '76 QST) . . . . 224.95

\*now with dash memory as standard

System 4000 Ham Computer (see Jan '78 QST) (write)

Curtis Electro Devices, Inc.  
(415) 964-3138  
Box 4090, Mountain View, CA 94040



## ALUMA TOWERS

40 Ft.  
Crank-Up  
Ham Model T-140

60 Ft.  
Ham Crank-Up  
Model T-60-H

HIGHEST QUALITY

MADE IN ALUMINUM

- ★ TELESCOPING (CRANK UP)
- ★ GUYED
- ★ TILT OVER MODELS

QUALITY MADE

*Excellent for*

## HAM COMMUNICATIONS

MANY MODELS MFG.

Towers to 100 feet. Specials designed & made. See dealer or send for free catalog.

ALUMA TOWER CO.  
BOX 2806HR  
VERO BEACH, FLA. 32960  
PHONE (305) 567-3423

## YOU'VE SEEN THE MAGAZINE ARTICLES

Here's what you can expect from the **DX ENGINEERING RF Speech Processor**

- 6 db INCREASE IN AVERAGE POWER
- MAINTAINS VOICE QUALITY
- IMPROVES INTELLIGIBILITY
- NO CABLES OR BENCH SPACE REQUIRED
- EXCELLENT FOR PHONE PATCH
- NO ADDITIONAL ADJUSTMENTS — MIKE GAIN ADJUSTS CLIPPING LEVEL
- UNIQUE PLUG-IN UNIT — NO MODIFICATIONS REQUIRED



This is RF Envelope Clipping—the feature being used in new transmitter designs for amateur and military use.

Models Now Available  
Collins 32S, KWM-2 . . . . . \$ 98.50 ea.  
Drake TR-3, TR-4, TR-6, TR-4C,  
T-4, T-4X, T-4XB, T-4XC \$128.50 ea.  
Postpaid — Calif. Residents  
add 6% Tax

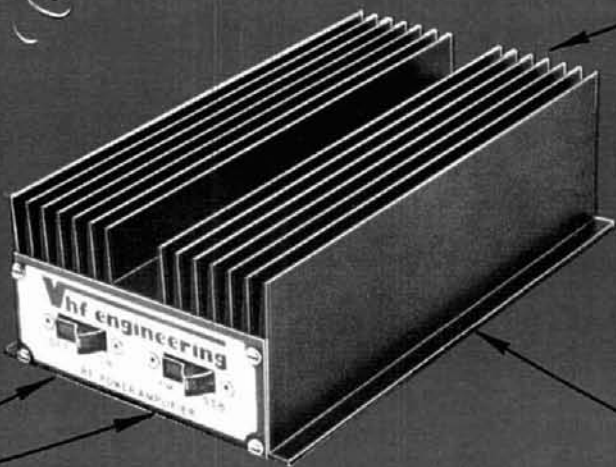
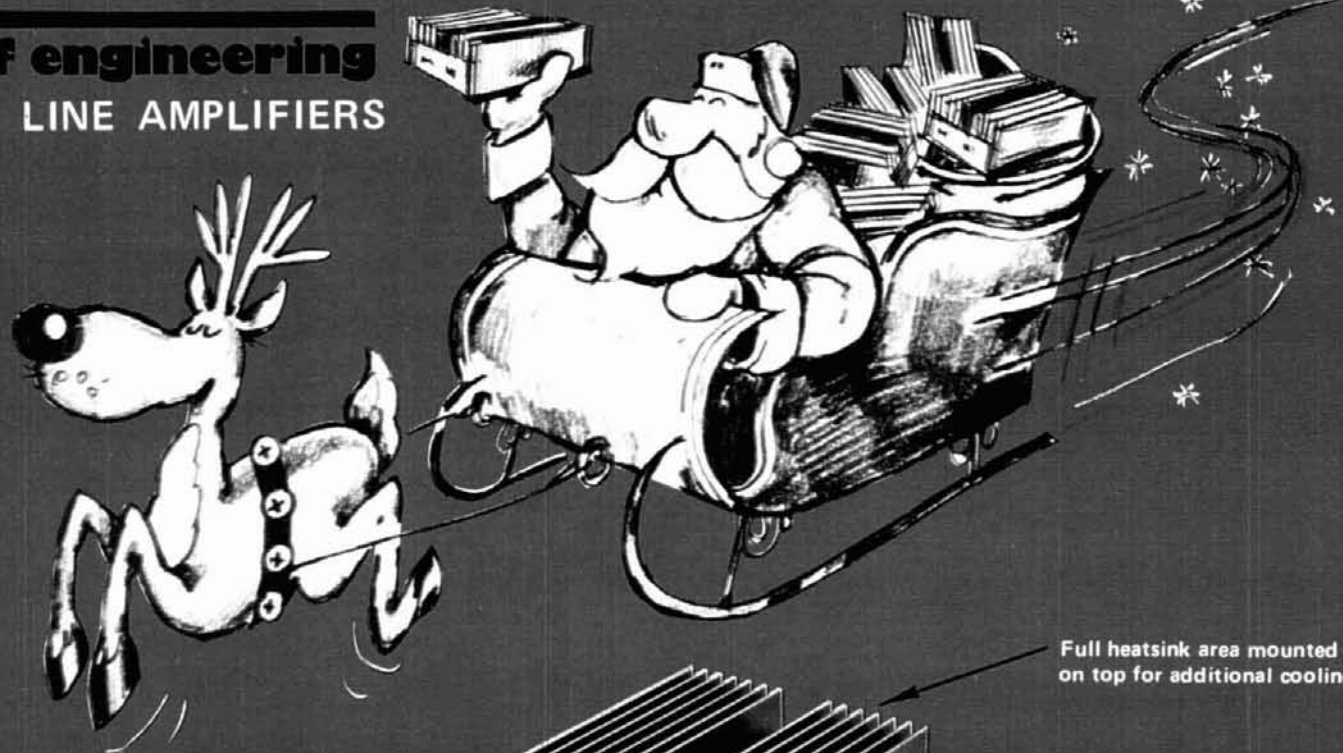
Watch for other models later!

**DX Engineering**

1050 East Walnut, Pasadena, Calif. 91106

# AMPLIFY CHRISTMAS

**Vhf engineering**  
BLUE LINE AMPLIFIERS



Attractive, blue anodized finish.

Full heatsink area mounted on top for additional cooling.

Rugged, one piece aluminum extrusion.

Designed for ease of mounting.

High quality power switch and mode switch on front panel.

MODEL	BAND	EMISSION	POWER INPUT	POWER OUTPUT	WIRED AND TESTED PRICE
BLC 10/70	144 MHz	CW-FM-SSB/AM	10W	70W	\$149.95
BLC 2/70	144 MHz	CW-FM-SSB/AM	2W	70W	169.95
BLC 10/150	144 MHz	CW-FM-SSB/AM	10W	150W	259.95
BLC 30/150	144 MHz	CW-FM-SSB/AM	30W	150W	239.95
BLD 2/60	220 MHz	CW-FM-SSB/AM	2W	60W	164.95
BLD 10/60	220 MHz	CW-FM-SSB/AM	10W	60W	159.95
BLD 10/120	220 MHz	CW-FM-SSB/AM	10W	120W	259.95
BLE 10/40	420 MHz	CW-FM-SSB/AM	10W	40W	159.95
BLE 2/40	420 MHz	CW-FM-SSB/AM	2W	40W	179.95
BLE 30/80	420 MHz	CW-FM-SSB/AM	30W	80W	259.95
BLE 10/80	420 MHz	CW-FM-SSB/AM	10W	80W	289.95

F.O.B. Binghamton. Prices and specifications are subject to change. Export prices are slightly higher.

## FEATURES

- High efficiency means low current drain.
- Broad band design (no tuning).
- Direct 12 volt DC operation.
- Indicator lamps for On/Off and FM/SSB.
- Relay switching (allows you to put amplifier in or out of circuit at the flip of a switch).
- Insertion loss of less than 1 dB.
- 90 day limited warranty on parts and labor.



**Vhf engineering**



DIVISION OF BROWNIAN ELECTRONICS CORP.

320 WATER STREET / BINGHAMTON, N.Y. 13901 / Phone 607-723-9574

# WE CARRY OCEANS OF MANUFACTURERS

Call the Communications Leader in the Northwest for Price Quotes on your Amateur and other Communications Needs.

## TOLL FREE

From Alaska in the Northwest to Florida in the Southeast  
From Maine in the Northeast to Hawaii in the Southwest  
Call TOLL FREE on . . .

### 800-426-6937

Residents of the State of Washington call TOLL FREE on 800-562-7625

Weller  
Standard  
Pipo  
Callbook  
ICOM  
Vector  
ICC  
Yaesu  
Antenna Specialists  
GC Electronics  
Hitachi

Bearfinder  
CDE  
Panasonic  
G.E.  
Fuzzbuster  
Fairchild  
Mosley  
Alliance  
Howard Sams  
Valor



Regency  
EMI  
Jim-Pak  
Larsen  
Sanyo  
Vaco  
Midland  
Shakespeare  
CIR  
Kenwood  
SBE

Jensen  
Duracell  
Whistler  
Ungar  
Wilson  
Shure  
Amp  
Clarion  
Bearcat  
Turner  
B & W

The Manufacturers shown are only a few we stock.



**ABC**  
COMMUNICATIONS

17550 15th AVE. N.E.

SEATTLE, WASH. 98155

206-364-8300

Orders are normally shipped in 48 hours.



If you expect to invest in a new ham antenna in the next 90 days, invest 15¢ postage to get Antenna Specialists' brand new, complete ham catalog today.



Amateur Radio spoken here!

**FREE decal just for fun!**

Name \_\_\_\_\_

Address \_\_\_\_\_

City \_\_\_\_\_ State \_\_\_\_\_ Zip \_\_\_\_\_



**the antenna specialists co.**

a member of The Allen Group Inc.  
12435 Euclid Ave. Cleveland, Ohio 44106  
Export 2200 Shames Drive, Westbury, L.I. New York 11590  
Canada A. C. Simmonds & Sons, Ltd.



GREGORY ELECTRONICS  
*The FM Used Equipment People.*

## G.E. T.P.L. SPECIAL



FE43JA5 (Late Model)  
Front Mount 132-150 MHz, 12 volt, 12 watts, fully solid state receiver, 3 tubes in transmitter, fully narrow band, with accessories.

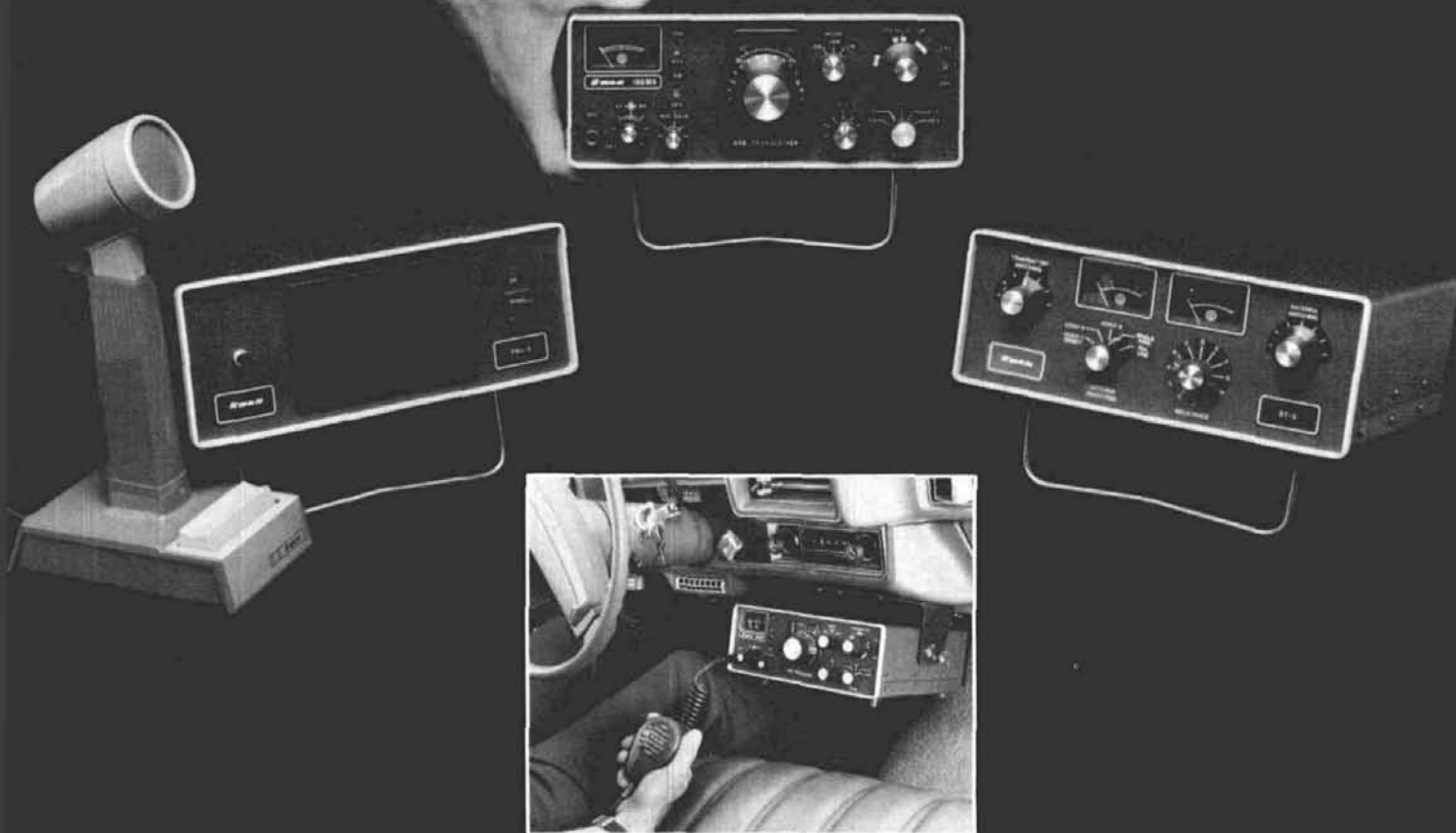
bench tested **\$58.00**



**GREGORY ELECTRONICS CORP.**

245 Rt. 46, Saddle Brook, N.J. 07662  
Phone: (201) 489-9000

# BREAKS THROUGH EVERY HF SOUND BARRIER --INSIDE AND OUT!



## The revolutionary Swan 100 MX: 100% new, 100% solid state, 100% portable from home station to mobile!

Introducing a superb "get up and go" transceiver, superbly designed for 100% mobility and control, as only new Swan space-age technology could do it!

**100% solid state 100 MX:** the compact HF unit you can take seriously — anywhere you choose to operate.

At home, set into Swan's unique new style-coordinated station, with *matching* antenna tuner and power supply.

Or on the road — it's easy to relocate 100 MX. Instantly. Just two simple connections on the back panel: snap out, snap in... and run!

**100% improved audio quality:** home or mobile, transmit or receive. 100 MX electronics cut through SSB sound barriers —

producing a natural clarity reported comparable to AM!

**Your most-wanted extras, 100% built-in:** like noise blanker and VOX. Like a preselector to optimize signals. Like a real RF GAIN control, and CW sidetone.

Swan includes the RIT control ( $\pm 1.5$  kHz) you'd like too. Plus, for stability, a permability tuned oscillator with 1Kc readout.

A powerful package, delivering a minimum 100 watts PEP output on all bands, 10-80 meters.

**Setting a 100% new state of art:** 100 MX and our matched-station units. Ready for check out today at your Swan dealer, the first major breakthrough in Swan's new program dedicated to changing the face — and performance — of ham equipment 100%... inside and out!

**Swan 100 MX: \$849.95**

Matching Power Supply PSU-5:  
**\$179.95**

Matching Antenna Tuner ST-3:  
**\$169.95**

Available only through authorized Swan dealers

Please rush full specs on Swan's all-new 100 MX home/mobile transceiver.

Name \_\_\_\_\_

Address \_\_\_\_\_

City \_\_\_\_\_

State \_\_\_\_\_ Zip \_\_\_\_\_

QST 10/78

**SWAN**  
ELECTRONICS

a member of the Cubic Corporation family of companies

305 Airport Road, Oceanside, CA 92054  
(714) 757-7525

Swan's continuing commitment to product improvement may affect specifications and prices without notice.



# HEARING AIDS!

An ancient amateur proverb has it that: "If you can't hear them, you can't work them."

That's one reason why our linearized amplifier/preamplifier combinations are the fastest selling amps in the amateur radio market. Not only do they provide you with 9 dB (almost 2 "S" units) of increased signal at the other guy's receiver, but they also provide you with a greatly improved capability to read his signal. Our transmitting amp/preamp combos don't just give more output power; they also provide

you with the increased sensitivity you need to make those contacts that you've never made before. Remember, the other guy may not have a Lunar amp/preamp yet. Our better than 2 dB noise figure indicates that Lunar has achieved the practical limit at 2 meters for any local noise conditions you might have. Whether you're bouncing signals off the moon or trying to pick up a noisy signal in your car, Lunar's preamp in our bi-linear amplifier is the best "hearing aid" you can have.

## LINEARIZED AMPLIFIERS

Accepts all modes. Power ranges from 50 to 250 watts, frequencies from 50 MHz to 220 MHz. From \$199.95

## RECEIVING PREAMPS

For the most demanding needs where low noise figure is important. Medium and high gain models now available for frequencies 28 to 450 MHz. From \$34.95



**LUNAR DEALERS:** ARIZONA: Communication Sales, 8727 N. Central, Phoenix 85022 • P.A.C.E., 1720 W. Wetmore, Tucson 85705 • CALIFORNIA: Buddy Sales, 18552 Sherman Way, Reseda 91335 • American Radio, 2695 Mason Village Road, San Diego 92123 • C & A Electronics, 22010 S. Wilmington Ave., #105, Carson 90745 • H.M.C., 217 W. Gutierrez Street, Santa Barbara 93101 • Henry Radio, 11240 W. Olympic Blvd., Los Angeles 90064 • Henry Radio, 931 N. Euclid, Anaheim 92801 • HRO, 2620 W. La Palma, Anaheim 92801 • HRO, 6265 Sepulveda Blvd., Van Nuys 91411 • HRO, 5315 Kearny Villa Road, San Diego 92123 • HRO, 999 Howard Ave., Burlingame 94010 • Fantana Electronics, 8528 Sierra Ave., Fontana 92335 • Lum Electronics, 457 Broadway, Chula Vista 92010 • Towns Electronics, 24001 Alicia Parkway, Mission Viejo 92675 • DELAWARE: Delaware Amateur Supply, 71 Meadow Road, Newcastle 19720 • FLORIDA: Help Radio, 1055 Liberty Street, Jacksonville 32206 • W8 Go Shop, 500 Buell View Drive, Belaire Bufls 33540 • GEORGIA: Radio Wholesale, 2012 Auburn Ave., Columbus 31906 • KANSAS: Revcom, 6247 N. Hydraulic, Wichita 67219 • Wheel's Communications, Rt. 3, Mt. Airy 21771 • MISSOURI: Henry Radio, 211 N. Main, Butler 64730 • NEW JERSEY: Radios Unlimited, 1760 Easton Ave., Somerset 08854 • Allen Communications, 6 Ocean Terrace, Normandy Beach 08730 • NEW YORK: Am.Com. N. Utica Shopping Center, Utica 13502 • NORTH CAROLINA: Telecom, 4349 Keenerville Rd., Keenerville 27284 • OHIO: Universal Amateur Radio, 1280 Aida Drive, Reynoldsburg 43068 • OHLANDIA: Brode Electronics Co., 2537 Edgewood Drive, Moore 73160 • OREGON: The Wave Shop, 1011 Melale Ave., Oregon City 97045 • Midland Ham Sales, 1308 Shopper Ave., Eugene 97404 • PENNSYLVANIA: Maguire Electronic Lab, 845 Westown Road, West Chester 19380 • SOUTH CAROLINA: Maury's VHF-UHF, 253 Providence Square, Greenville 29615 • TEXAS: Madison Electronics, 1508 McKinney, Houston 77002 • Belaire Electronics Supply, 5200 Belaire Blvd., Belaire 77401 • WASHINGTON: C.Comm, 6115 15th Ave. N.W., Seattle 98107 • Amateur Radio Supply Co., 6213 13th S., Seattle 98108 • AUSTRALIA: Emsa Electronics, Room 208/661 George St., Sydney NSW 2000 • ENGLAND: SOTA, 29 Cherry Vale, Wootton, Liverpool L25 5PX • GERMANY: Ing. Hannes Bauer, KG, Postfach 1060, 8000 Bamberg • JAPAN: Yama Electronics, Kamayari Bldg. 2F, 515 Higashi-nomura, Nara-shi, Tabe 171 • PORTUGAL: Germano Lopes & Cia Lda, Av. Fernao de Magalhães, 860 Porto • VENEZUELA: Panamericana de Comunicaciones, Apdo 76093, Caracas 107 • NEW ZEALAND: Southern Cross Electronics, 26 Southern Cross Road, Kiharama, Auckland



Lunar would like to hear from you as to what products you think we ought to be providing for you. Drop us a line with your ideas. Louis Anciaux • W8BNMT

Best of Season's Greetings to all amateurs everywhere!

## YOUR MARK II & MARK IV HEADQUARTERS!

MARK II 2.5-WATT \$229.95  
MARK IV 4-WATT \$259.95  
Plus Shipping Plus Shipping



**IN STOCK**  
THEY WORK AS GOOD AS THEY LOOK!

SHOWN WITH OPTIONAL TT PAD

**SPECTRONICS, INC.**  
1009 GARFIELD ST.  
OAK PARK, ILL. 60304  
(312)848-6777

## TEST EQUIPMENT

All equipment listed is operational and unconditionally guaranteed. Money back if not satisfied. Prices listed are FOB Monroe.

- HP120B 450kHz gen pur scope ..... \$215
- HP170A (USM140) 30MHz scope with reg horiz, dual trace vert plugs ..... 475
- Meas Mod 80 Stand sig gen 2-400MHz with calib attn ..... 225
- Quantech 303 Wave Anal ..... 445
- Tek565 Dual beam 10MHz scope less plug-ins (3 series) ..... 625
- Tek585 80MHz gen pur scope less plugin ..... 645
- URM25 Stand Sig Gen 10kHz-50MHz calib attn ..... 225

For complete list of all test equipment send stamped, self addressed envelope.

## GRAY Electronics

P.O. Box 941, Monroe, Mich. 48161  
Specializing in used test equipment.

## GREAT LAKES for Great Buys



## alda 103

- All solid state
- Super compact
- 250 watts SSB/CW
- Super stable
- Totally broadbanded
- 80-75, 40, 20
- 3 1/4" H x 9"W x 12 1/2"D
- 8 1/4 pounds light!

& only \$495

### ACCESSORIES:

- Microphone ..... \$14.95
- Mobile Mount ..... \$3.95
- Noise Blanker ..... \$39.95
- Calibrator ..... \$19.95
- Portable AC ..... \$84.95
- Heavy Duty AC ..... \$149.95

3993 Lorensen Rd. (616) 766-3868  
Muskegon, MI 49445  
Amateur Supply Company

**NEW!**

## 600 MHz Mini Counter

- NOW ...
- Completely PORTABLE with Ni-Cad Batteries
  - Crystal Oven Available

General Purpose Low Cost Counter Without the Sacrifice of Basic Performance  
"Check the features we have that some other low cost counters don't have."

- All Metal Cabinet
- 8 Digit 4" LED Display
- Input Cable Included
- 12V Input Jack
- Sensitivity 10 MV at 60 MHz
- 115V or 12V Operation
- Push Button Controls
- Gate Light
- Completely Auto Decimal Point
- Selectable Gate Times (1 sec & .1 sec)
- Built-in Preamp (optional)
- Crystal Time Base (1 ppm after cal.)

7208K 600 MHz Kit ..... \$149.95    7208A Assembled ..... \$199.95

- OPTIONS ...
- 01) Portable w/Ni-Cad Battery (Built-in Charger) ..... \$39.95
  - 02) Crystal Oven (1 ppm 0 to 60°C) ..... \$39.95
  - 03) Handle ..... \$5.00
  - 04) Built-in Preamp 10 MV @ 150 MHz ..... \$10.00



DAVIS ELECTRONICS 636 Sheridan Dr., Tonawanda, NY 14150 716/874-5848

Pre-Amp PROBE  
10-500 MHz  
Only \$49.95





# the super-compact ALDA 103

only 3 1/4" high x 9" wide x 12 1/2" deep • less than 8 1/4 pounds

ALDA 103, the trim little powerhouse with incredible performance for the price! ALDA 103 provides a full 250 watts PEP input for SSB operation, and 250 watts DC input for CW. And when it comes to performance, ALDA 103 is the hottest little transceiver going — all solid state, totally broadbanded and super-stable VFO.

Ideal first transceiver for brand new novices! You'll want a full-capability CW/USB/LSB unit with all the power and performance you can use. ALDA 103 gives you 250 watts DC input for CW, the maximum allowable power for your novice license. When you upgrade to technician, you've got 2 bands

Attention novices and fifteen meter fans: Now introducing the ALDA 103A — operating 80-40-15 meters.

Contact your local dealer or the factory for details — prices shown below.

for CW operation. And with your general license, just plug in your mic and use the ALDA 103's full 250 watts PEP on SSB!

Perfect second or mobile unit for seasoned hams! If you're looking for a super-sharp, compact unit to use in your car or boat, ALDA 103 will live up to your expectations. Absolute worst case sensitivity 0.5  $\mu$ V for 10 dB S+N/N — a must for mobile operation. Receiver audio output of 3 watts minimum — another must. Also, very low receiver power drain of only 5.5 watts — that's 0.4 amps at nominal 13.8 VDC including power for dial and meter lamps!



## GENERAL SPECIFICATIONS

**Semiconductors:** 39 diodes, 23 transistors, 11 integrated circuits

**Power Requirements:** Nominal 13.8 VDC input at 15 amps, negative ground only

**Power Consumption:** Receive — 5.5 watts (includes dial and meter lamps); Transmit — 260 watts

**Dimensions:** 3-1/4" high x 9" wide x 12-1/2" deep (82.55 mm x 228.6 mm x 317.5 mm)

**Weight:** 8-1/4 lbs. (3.66 kg)

## PERFORMANCE SPECIFICATIONS

**Frequency Range:** 80 meter band — 3.5 to 4.0 MHz  
40 meter band — 7.0 to 7.5 MHz  
20 meter band — 14.0 to 14.5 MHz

**Modes:** CW, USB, LSB

**RF Input Power:** SSB — 250 watts PEP nominal  
CW — 250 watts DC maximum (adjustable)

**Transmitter:**

Antenna Impedance: 50 ohm, unbalanced

Carrier Suppression: Better than -45 dB

Side-Band Suppression: Better than -55 dB at 1000 Hz

**Distortion Products:** Better than -26 dB

**AF Response:** 500 to 2500 Hz

**Spurious Radiation:** Harmonics better than -45 dB below 30 MHz; better than -60 dB above 30 MHz

**Frequency Stability:** Less than 100 Hz drift per hour (from a cold start at room temperature)

**Microphone:** High impedance 3000 ohm

**Receiver:**

**Sensitivity:** Better than 0.5 watts audio output for 0.5  $\mu$ V input

**Signal-to-Noise Ratio:** Better than 10 dB S+N/N for 0.5  $\mu$ V input

**Image Ratio:** Better than -60 dB (typical with respect to 0.5  $\mu$ V input: 80 meters — -130 dB, 40 meters — -100 dB, 20 meters — -75 dB)

**IF Rejection:** Better than -70 dB (typical with respect to 0.5  $\mu$ V input: 80 meters — -110 dB, 40 meters — -80 dB, 20 meters — -75 dB)

**Intermodulation Intercept Point:** Better than 10 dBm

**Selectivity:** 2.5 kHz — 6 dB; 5.0 kHz — 60 dB

**Audio Output Power:** More than 3 watts

**Audio Distortion:** Less than 5% at 3 watts

# \$495

## OPTIONS & ACCESSORIES

Microphone ..... \$14.95

Mobile Mount ..... \$3.95

Noise Blanker —  
Model No. PC 701 ..... \$39.95

100 kHz and 25 kHz  
Dual Crystal Calibrator —  
Model No. PC 801 ..... \$19.95

Portable Power Supply — Model  
No. ALDA PS 115: average duty  
15 amp unregulated; input —  
115/230 VAC, 50/60 Hz; output —  
13.8 V nominal at 15 amps... \$84.95

Heavy Duty Power Supply — Model  
No. ALDA PS 130: output —  
regulated 30 amp at 13.8 VDC; input —  
115 or 230 VAC, 50/60 Hz... \$149.95

alda communications, inc. 215 Via El Centro Oceanside, CA 92054 (714) 433-6123

EUROPE: Datacom, Box 442, S-194 94, Uplands Vasby, Sweden • EXCEPT FRANCE: Poussielgues Diffusion Electronique SARL, 89 Bis Rue De Charenton — 75012, Paris

ALDA 103 is completely manufactured in the U.S.A.

# ★★★★★★ XMAS HINTS ★★★★★★

AEA  
AD-1 Auto-Dialer \$109

WESTCOM  
2M Amps FM & SSB  
15X90L \$135  
15X70L \$117

Reg. 13.8VDC Supplies  
RS-12A \$66  
RS-20A \$86  
RS-35A \$123

WZAU Balun \$13.25

## TUBES

EIMAC-New/Guaranteed  
3-400Z \$72.00  
3-500Z \$72.00  
3-1000Z \$204.00  
4-400A \$68.40  
4-400C \$74.40  
8873 \$110.40  
8874 \$110.40  
8875 \$110.40  
8877 \$270.00

Sockets & Chimneys Available



Specials Good thru 12/31/78  
Please allow for shipping.  
AZ residents add 5% sales tax.

**Amateur Radio Center**  
11 S. Morris, Mesa, AZ 85202  
(602)833-8051

NEW LOOK!

## QSL T-SHIRTS



Great for Field Day  
Hamfest & Clubs

SHIRTS AVAILABLE IN THE FOLLOWING COLORS:

Beige Yellow  
Lt. Blue Dk. Blue

Sizes: S,M,L,XL 100% cotton 3/4" Letter Size

\$6.95 - INCLUDES YOUR CALL SIGN - Name, State or other info-25¢ per letter

- SEND S.A.S.E. FOR ADDITIONAL DESIGNS -

LETTERS AVAILABLE IN THE FOLLOWING COLORS:

Blue White  
Black Brown

## AIR VARIABLE CAPS

Duals: 40-310pf 7KV \$27  
27-300pf 4.5KV \$25  
Singles: 55-450pf 7KV \$25  
40-310pf 7.5KV \$19  
27-300pf 4.5KV \$18

## TOWERS

Wilson TT-45 unguyed crank-up, 45' \$253.14  
Wilson TT-114 tower section, 11'4" aluminum \$31.75

## ROTORS

Wilson WR-500 \$100.53  
Wilson WR-1000 \$414.53  
CDE AR-22XL \$37.95  
CDE CD-44 \$93.44  
CDE Ham-III \$117.30  
CDE Ham-X \$211.14  
Alliance HD73 \$121.33

## ANTENNAS

Hygain TH6DXX \$241.27  
Wilson SY-1 \$217.44  
Cushcraft ATB-34 \$233.48

## ANTENNA SPECIALISTS

ASPC201L 130-450MHz 1/4 Wave \$9.90  
ASP-55B 2M 3dB Gain Mag Mount \$33.30  
HM-223 1 1/4M 3dB 5/8 Wave \$23.40  
HM-224 1 1/4M 4dB Colinear \$32.40  
HM-175 3/4M 5dB Colinear \$24.30

For only a little more you can buy the best!!

## BARBER TONE ENCODER



CRYSTAL CONTROL 9-18VDC

2.1" x 2.1" x .250" W. O. CASE

2.1" x 2.1" x .312" W. CASE

Tone Encoder ..... \$42.00  
Case for Encoder ..... \$2.00  
Velcro Case Mtg. .... \$7.50

C. W. ID'er Board ..... \$5.50  
P. C. Connector ..... \$2.50  
Belt Clip Kits for Motorola & Wilson Hand Held ..... \$6.00

## HT 220 VHF

Slim PL 8 Ch. Kit ..... \$49.00  
OMNI PL 8 Ch. Kit ..... \$49.00  
OMNI PL 15 Ch. Kit ..... \$89.00  
Repeater Tone To Rotary Dial Converter, Telco Central Office, 48V or 24V \$160.00

## NEW! GOLDLINE AMP - 2M

1/2-1 1/2 Watts In, 25 Watts Out ..... \$66.00  
1-4 Watts In, 7-25 Watts Out ..... \$56.00  
10 Watts In, 80 Watts Out ..... \$138.00

Ohio Residents Add 4.5% Sales Tax.  
No COD's to P. O. Box Numbers.  
Send Check or Money Orders To:

## WREN CO.

8630 WINTON RD.  
CINCINNATI, OHIO 45231

The **only** thing you need to know about Quartz Crystals is:

# 1-405-224-6780

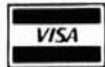
- ★ Best Delivery plus Emergency Service with Guaranteed Delivery
- ★ Highest Quality with gold MIL-C-3098 Process
- ★ Ask for Sentry Technology Manual

And, order Toll Free 1-800-654-8850

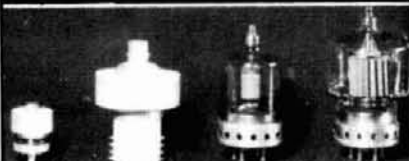


# Sentry®

CRYSTAL PARK  
CHICKASHA, OKLAHOMA 73018



## WANTED FOR CASH



4CX150 4CX1000 4-65 4-250  
4CX250 4CX1500 4-125A 4-400  
4CX300A 4CX3000 4-1000  
4CX350A 4CX5000 304TL  
4CX10,000  
5CX1500

Other tubes and Klystrons also wanted.  
See last month for other items available.

## The Ted Dames Company

308 Hickory St. Arlington, N.J. 07032  
(201) 998-4246 Evenings (201) 998-6475

## NEW - IMPROVED\*



Model 1500 - Binaural Synthesizer-Filter with Tone-Tag  
Uses 8 "D" Cells - Less Batteries \$86.00 ppd, U.S.

Model 1501 - Requires your 12 to 15 volt DC input, 100 ma.  
nom. (internal regulation) \$89.00 ppd, U.S.

Wall Transformer 115V AC supply rated at 12 volts, 350 ma.  
for use with Model 1501 or . . . \$4.95

\*A new balanced bipolar Tone-Tag modulator system replaces diode modulators of Models 1100 and 700

GET BETTER THAN 100 HZ EFFECTIVE SELECTIVITY ON CW, A SELECTABLE NOISE BANDWIDTH OF LESS THAN 150 HZ PLUS PERIPHERAL HEARING IN BINAURAL SOUND . . . ALL WITHOUT LISTENING THROUGH THE TINKLING ROAR OF A NARROW-BAND FILTER OR FUSSING WITH SELECTIVE SQUELCH SYSTEMS. . . EXPERIENCE THE BINAURAL FUNCTION ON SIDE BAND VOICE . . . Just connect to your receiver's headphone or speaker jack and plug in two 8 Ohm speakers arranged stereo fashion . . . additional jack provided at lower power to protect your stereo headset.

See HR magazine articles on Nov. '75 and Nov. '76 . . . Ask for our note on listening with binaural and Tone-Tag systems

HILDRETH ENGINEERING BOX 60003 SUNNYVALE CA 94088

## HI-Q BALUN

- For dipoles, yagis, inverted vees, doublets & quads
- For full legal power & more
- Puts power in antenna
- Broadbanded 3-40Mhz.
- Small, light, weather-proof
- 1:1 impedance ratio
- Replaces center insulator
- Helps eliminate TVI
- Fully Guaranteed



**Van Gorden Engineering**  
\$9.95 PPD U.S.A.  
BOX 21305, S. EUCLID, OHIO 44121

# FREQUENCY COUNTER KIT

Outstanding Performance

Incredible Price

**\$89<sup>95</sup>**

**CT-50**



The CT-50 is a versatile and precision frequency counter which will measure frequencies to 60 mHz and up to 600 mHz with the CT-600 option. Large Scale Integration, CMOS circuitry and solid state display technology have enabled this counter to match performance found in units selling for over three times as much. Low power consumption (typically 300-400 ma) makes the CT-50 ideal for portable battery operation. Features of the CT-50 include large 8 digit LED display, RF shielded all metal case, easy pushbutton operation, automatic decimal point, fully socketed IC chips and input protection to 50 volts to insure against accidental burnout or overload. And, the best feature of all is the easy assembly. Clear, step by step instructions guide you to a finished unit you can rely on.

Order your today!

CT-50, 60 mHz counter kit  
CT-50WT, 60 mHz counter, wired and tested  
CT-600, 600 mHz scaler option, add

**\$89.95**

**\$59.95**

**\$29.95**

CB-1, Color TV calibrator-stabilizer

DP-1, DC probe, general purpose probe

HP-1, High impedance probe, non-loading

**\$14.95**

**\$2.95**

**\$15.95**

## SPECIFICATIONS:

Frequency range: 6 Hz to 65 mHz, 600 mHz with CT-600  
Resolution: 10 Hz, 0.1 sec gate, 1 Hz, 1 sec gate  
Readout: 8 digit 0.4" high LED direct readout in mHz  
Accuracy: adjustable to 0.5 ppm  
Stability: 2.0 ppm over 10, to 40 C temperature compensated  
Input: BNC, 1 megohm, 20 pF direct, 50 ohm with CT-600  
Overload: 50VAC maximum, all modes  
Sensitivity: less than 25 mv to 65 mHz, 50-150 mv to 600 mHz  
Power: 110 VAC 5 Watts or 12 VDC, 400 ma  
Size: 6" x 4" x 2", high quality aluminum case, 2 lbs  
ICS: 13 units, all socketed

## CAR CLOCK

The UN-KIT, only 5 solder connections

Here's a super looking, rugged and accurate auto clock which is a snap to build and install. Clock movement is completely assembled—you only solder 3 wires and 2 switches, takes about 15 minutes! Display is bright green with automatic brightness control photocell—assures you of a highly readable display, day or night. Comes in a satin finish anodized aluminum case which can be attached 5 different ways using 2 sided tape. Choice of silver, black or gold case (specify)

DC-3 kit, 12 hour format **\$22.95**  
DC-3 kit, 12 hour format **\$29.95**  
110V AC adapter **\$5.95**

## Under dash car clock

12/24 hour clock in a beautiful plastic case features 6 jumbo RED LEDs, high accuracy (1 min. mo.), easy 3 wire hookup, display blanks with ignition, and super instructions. Optional dimmer automatically adjusts display to ambient light level  
DC-11 clock with mtg bracket **\$27.95**  
DM-1 dimmer adapter **2.50**

## PRESCALER

Extend the range of your counter to 600 mHz. Works with any counter. Includes 2 transistor pre-amp to give super sens, typically 20 mv at 150 mHz. Specify +10 or +100 ratio  
PS-1B, 600 mHz prescaler **\$59.95**  
PS-1BK, 600 mHz prescaler kit **49.95**

## OP-AMP SPECIAL

741 mini dip **12/\$2.00**  
B1-FET mini dip, 741 type **10/\$2.00**

## VIDEO TERMINAL

A completely self-contained, stand alone video terminal card. Requires only an ASCII keyboard and TV set to become a complete terminal unit. Two units available, common features are: single 5V supply, XTAL controlled sync and baud rates (to 9600), complete computer and keyboard control of cursor, Parity error control and display. Accepts and generates serial ASCII plus parallel keyboard input. The 3216 is 32 char. by 16 lines, 2 pages with memory dump feature. The 6416 is 64 char. by 16 lines, with scrolling, upper and lower case (optional) and has RS-232 and 20ma loop interfaces on board. Kits include sockets and complete documentation.

RE 3216, terminal card **\$149.95**  
RE 6416, terminal card **189.95**  
Lower Case option, 6416 only **13.95**  
Power Supply Kit **14.95**  
Video/RF Modulator, VD-1 **6.95**  
Assembled, tested units, add **60.00**

## CALENDAR ALARM CLOCK

The clock that's got it all. 6-5" LEDs, 12/24 hour, snooze, 24 hour alarm, 4 year calendar, battery backup, and lots more. The super 7001 chip is used. Size 5x4x2 inches.  
Complete kit, less case (not available) **\$34.95**  
DC-9

## 30 Watt 2 mtr PWR AMP

Simple Class C power amp features 8 times power gain. 1 W in for 8 out, 2 in for 15 out, 4 W in for 30 out. Max output of 35 W incredible value, complete with all parts, less case and T-R relay.  
PA-1, 30 W pwr amp kit **\$22.95**  
TR-1, RF sensed T-R relay kit **6.95**

## FM MINI MIKE KIT

A super high performance FM wireless mike kit! Transmits a stable signal up to 300 yards with exceptional audio quality by means of its built in electret mike. Kit includes case, mike, on-off switch, antenna, battery and super instructions. This is the finest unit available.

FM-3 kit **\$12.95**  
FM-3 wired and tested **16.95**

## CLOCK KITS

our Best Seller  
your Best Deal

Try your hand at building the finest looking clock on the market. Its satin finish anodized aluminum case looks great anywhere. While six 4" LED digits provide a highly readable display. This is a complete kit, no extras needed, and it only takes 1-2 hours to assemble. Your choice of case colors: silver, gold, bronze, black, blue (specify).  
Clock kit, 12/24 hour, DC-5 **\$22.95**  
Clock with 10 min. ID timer, 12/24 hour, DC-10 **27.95**  
Alarm clock, 12 hour only, DC-8 **24.95**  
12V DC car clock, DC-7 **27.95**  
For wired and tested clocks add \$10.00 to kit price.

## Hard to find PARTS

LINER ICs	REGULATORS
301 \$ .35	78MG \$1.25
324 1.50	723 .50
380 1.25	309K .85
380-8 .75	7805 .85
555 .45	78L05 .25
556 .85	7905 1.25
566 1.15	7812 .85
567 1.25	7912 1.25
1458 .50	7815 .85
3900 .50	TTL ICs
CMOS ICs	74500 .35
4011 .20	7447 .65
4013 .35	7475 .50
4046 1.85	7490 .50
4049 .40	74196T1 1.35
4518 1.25	SPECIAL ICs
5369 1.75	11C90 13.50
TRANSISTORS	10116 1.25
2N3904 type 10 1.00	4511 2.00
2N3906 type 10 1.00	5314 2.95
NPN 30W Pwr 3 1.00	5375AB 2.95
PNP 30W Pwr 3 1.00	7001 6.50
2N3055 .60	4059-N 9.00
UJT 2N2646 type 3 2.00	7208 17.95
FET MPF102 type 3 2.00	LEDs
UMF 2N5179 type 3 2.00	Jumbo red 8 1.00
MRF-238 RF 11.95	Jumbo green 6 1.00
SOCKETS	Jumbo yellow 6 1.00
8 pin 10 2.00	Mini red 6 1.00
14 pin 10 2.00	Micro red 8 1.00
16 pin 10 2.00	BiPolar .75
24 pin 4 2.00	FERRITE BEADS
28 pin 4 2.00	With info. specs. 15 1.00
40 pin 3 2.00	6 hole balun 5 1.00

## Ramsey's famous MINI-KITS

### FM WIRELESS MIKE KIT

Transmits up to 300' to any FM broadcast radio, uses any type of mike. Runs on 3 to 9V. Type FM-2 has added sensitive mike preamp stage.  
FM-1 kit **\$2.95** FM-2 kit **\$4.95**

### VIDEO MODULATOR KIT

Converts any TV to video monitor. Super stable, tunable over ch. 4-6. Runs on 5-15V, accepts std. video signal. Best unit on the market!  
Complete kit, VD-1 **\$6.95**

### TONE DECODER

A complete tone decoder on a single PC board. Features: 400-5000 Hz adjustable range via 20 turn pot, voltage regulation, 567 IC. Useful for touch-tone decoding, tone burst detection, FSK, etc. Can also be used as a stable tone encoder. Runs on 5 to 12 volts.  
Complete kit, TD-1 **\$5.95**

### COLOR ORGAN/MUSIC LIGHTS

See music come alive! 3 different lights flicker with music. One light for lows, one for the mid range and one for the highs. Each channel individually adjustable, and drives up to 300W. Great for parties, band music, etc. Clubs and more.  
Complete kit, ML-1 **\$7.95**

### LED Blinky KIT

A great attention getter which alternately flashes 2 jumbo LEDs. Use for name badges, buttons, warning panel lights, anything! Runs on 3 to 15 volts.  
Complete kit, BL-1 **\$2.95**

### WHISPER LIGHT KIT

An interesting kit, small mike picks up sounds and converts them to light. The louder the sound the brighter the light. Completely self-contained, includes mike, runs on 110VAC, controls up to 300 watts.  
Complete kit, WL-1 **\$6.95**

### SUPER SLEUTH

A super sensitive amplifier which will pick up a pin drop at 15 feet! Great for monitoring baby's room or as general purpose amplifier. Full 2 W rms output, runs on 6 to 15 volts, uses 8-45 ohm speaker.  
Complete kit, BN-9 **\$5.95**

### POWER SUPPLY KIT

Complete triple regulated power supply provides variable -6 to 18 volts at 200 ma and +5V at 1 Amp. Excellent load regulation, good filtering and small size. Less transformers, requires 6.3V or 1 A and 24 VCT.  
Complete kit, PS-3LT **\$6.95**

### SIREN KIT

Produces upward and downward wail characteristic of a police siren. 5W peak audio output, runs on 3-15 volts, uses 3-45 ohm speaker.  
Complete kit, SM-3 **\$2.95**

**ramsey electronics**

BOX 4072, ROCHESTER, N.Y. 14610

PHONE ORDERS CALL

(716) 271-6487



TERMS: Satisfaction guaranteed or money refunded. COD add \$1.50. Minimum order \$6.00. Orders under \$10.00, add \$ .75. Add 5% for postage, insurance, handling. Overseas, add 15%. NY residents, add 7% tax.

State  
of the art



by  
**K.V.G.**

### CRYSTAL FILTERS and DISCRIMINATORS

#### 9.0 MHz FILTERS

XF9-A	2.5 kHz	SSB TX	\$40.65
XF9-B	2.4 kHz	SSB RX/TX	\$55.10
XF9-C	3.75 kHz	AM	\$59.30
XF9-D	5.0 kHz	AM	\$59.30
XF9-E	12.0 kHz	NB FM	\$59.30
XF9-M	0.5 kHz	CW (4 pole)	\$41.50
XF9-NB	0.5 kHz	CW (8 pole)	\$73.45

Export  
Inquiries  
Invited

#### 9.0 MHz CRYSTALS (Hc25/u)

XF900	9000.0 kHz	Carrier	\$4.75
XF901	8998.5 kHz	USB	\$4.75
XF902	9001.5 kHz	LSB	\$4.75
XF903	8999.0 kHz	BFO	\$4.75
F-05	Hc25/u	Socket Chassis	.50
F-06	Hc25/u	Socket P.C. Board	.50

Shipping  
\$1.50  
per filter

### VHF and UHF FILTERS

ELIMINATE IMD "BIRDIES"	145 MHz PSF145	\$54.95
FROM YOUR RECEIVER.	432 MHz PSF432	\$41.95
CLEAN UP YOUR TRANS.	1296 MHz PSF1296	\$41.95
MITTER OUTPUT. Shipping \$3.50	1691 MHz PSF1691	\$44.95

### OSCAR-J FILTERS

Suppress 2m Tx Third Harmonics. Low 2m loss (0.5 dB typ.). High loss at 435 MHz (30/40dB).

MMf200-5	30 dB min. atten.	\$29.95
MMf200-7	40 dB min. atten.	\$39.95

### RECEIVE CONVERTERS



MODELS FOR ALL BANDS 50 MHz THRU 1296 MHz. LOW NOISE OPERATIONS AT 432 MHz.

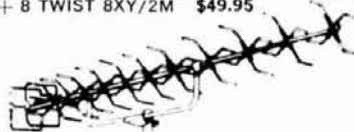
STANDARD I.F. 10M. I.F. OPTIONS 6M & 2M AVAILABLE  
POWER 12V D.C. Shipping \$2.50

MMc50	N. F. 2.5 dB typ.	\$59.95
MMc144	N. F. 2.8 dB typ.	\$59.95
MMc220	N. F. 3.0 dB typ.	\$69.95
MMc432	N. F. 3.8 dB typ.	\$69.95
MMc432-S	N. F. 3.0 dB typ.	\$84.95
MMc438/ATV	Ch2 or Ch3 IF	\$94.95
MMc1296	N. F. 8.5 dB typ.	\$89.95

### ANTENNAS (FOB CONCORD, VIA UPS)

#### 144-148 MHz J-SLOTS

8 OVER 8 HORIZONTAL POL.	+12.3 dBd	D8/2M	\$48.25
8 BY 8 VERTICAL POL.		D8/2M-VERT.	\$56.65
8 + 8 TWIST 8XY/2M	\$49.95		



420-450 MHz  
MULTIBEAMS

48 EL.	GAIN +15.7 dBd	70/MBM48	\$52.45
88 EL.	GAIN +18.5 dBd	70/MBM88	\$77.15

#### UHF LOOP YAGIS

26 LOOPS	GAIN +20 dBi		
1250-1340 MHz	1296-LY		\$56.95
1650-1750 MHz	1691-LY		\$59.95

Send 30¢ (2 stamps) for full details of KVG crystal products and all your VHF & UHF equipment requirements.

Pre-Selector Filters	Amplifiers	SSB Transverters
Varactor Triplers	Crystal Filters	FM Transverters
Decade Pre-Scalers	Frequency Meters	VHF Converters
Antennas	Oscillator Crystals	UHF Converters



**si**

Spectrum  
International, Inc.  
Post Office Box 1084  
Concord, Mass. 01742, USA

WHERE THE HAM  
IS KING



SERVICE FOR  
OVER 30 YEARS

## DECEMBER'S SPECIALS OF THE MONTH



**ICOM's New IC-280** See page 5 of this issue for complete details on this exciting new 2 meter mobile radio.

**YOUR SPECIAL!** Buy an IC-280 at \$480.00 and receive an \$80.00 credit toward another purchase! Sorry, no trades.

### KENWOOD's TR-7400A

You've heard this rig on your local repeater amidst such mutterings as "It's got everything". This fully synthesized 2 meter FM transceiver operates on 800 channels from 144-148 MHz with an RF output of 25 watts!



**YOUR SPECIAL!** Buy a TR-7400A at \$449.00 and receive a 1525 EM Drake encoder microphone at no charge (\$50.00 value).

A DIVISION OF TREVOSE ELECTRONICS

**HAMTRONICS, INC.**

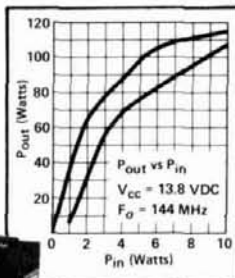
4033 BROWNSVILLE ROAD, TREVOSE, PA. 19047

CALL TOLL FREE  
FOR QUOTES

**800-523-8998**

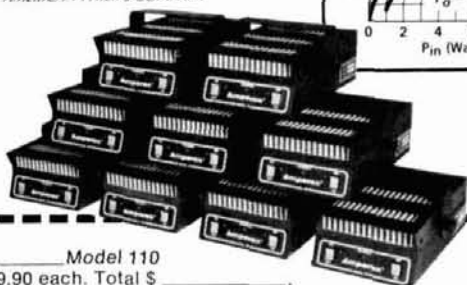
## Now-direct from Amperex— 2-meters, 10 watts in/100 watts out, FM or SSB

Why settle for 10 watts of R.F. output when our 2-meter, Model 110 solid state linear amplifier will give you 100! Designed for base, mobile and repeater operations. No duty cycle problems; operates 100% key down; full VSWR-protected. To order, simply fill in coupon below and mail immediately.



**Amperex**

TOMORROW'S THINKING IN TODAY'S PRODUCTS  
A NORTH AMERICAN PHILIPS COMPANY



Send \_\_\_\_\_ Model 110

@ \$189.90 each. Total \$ \_\_\_\_\_

Payment enclosed. (N.Y. residents add sales tax)

Send C.O.D.

Send complete detailed specifications only.

NAME \_\_\_\_\_

STREET ADDRESS \_\_\_\_\_

CITY \_\_\_\_\_

STATE/ZIP \_\_\_\_\_

AMPEREX ELECTRONIC CORPORATION, Communications Dept.  
230 Duffy Ave., Hicksville, New York 11802

# flea market



**RATES** Non-commercial ads 10¢ per word; commercial ads 60¢ per word both payable in advance. No cash discounts or agency commissions allowed.

**HAMFESTS** Sponsored by non-profit organizations receive one free Flea Market ad (subject to our editing). Repeat insertions of hamfest ads pay the non-commercial rate.

**COPY** No special layout or arrangements available. Material should be typewritten or clearly printed (not all capitals) and must include full name and address. We reserve the right to reject unsuitable copy. **Ham Radio** cannot check each advertiser and thus cannot be held responsible for claims made. Liability for correctness of material limited to corrected ad in next available issue

**DEADLINE** 15th of second preceding month.

**SEND MATERIAL TO:** Flea Market, Ham Radio, Greenville, N.H. 03048.

**TOWER GOODIES: FACTORY-FRESH!** Galvanized guy cable — 3/16EHS \$8.50/100', \$80/1000', 1/4EHS \$10/100', \$95/1000'; aircraft cable — 5/32" \$7/100', \$65/1000'; 3/16" \$8/100', \$75/1000'. Guy clamps — 3/16" 30¢, 1/4" 37¢. Heavy turnbuckles — 3/8" \$5.50, 1/2" \$7. Thimbles 25¢. Preformed guy deadends — 3/16" \$1.25, 1/4" \$1.45. Rohn tower sections — 25G \$36, 45G \$68. CDE Ham III \$111, Talltwister \$199. Belden rotor cable 17¢/ft. FOB K5GW, Texas Towers, 113 Starlite Drive, Plano, TX 75074. (214) 423-2376.

**FT-101's** receive better with an AF-80 Active CW Filter inside. \$34.95 ppd. U.S.A. Specs free for SASE. Firstron Electronics, Box 151, Streetsboro, OH 44240.

**YAESU EQUIPMENT** — Leaving country, must sell gear fast. FR 101D RX mint condition, all the extras \$480. FL101 never used, only \$280. Datong frequency agile filter \$80. Partridge Joystick and ATU \$20. Decca SWR/power meter \$10. No others, will sell separately. Steve Charles, 4169, Oak Hill Ave., Palo Alto, CA 94306. (415) 497-4650 days only.

**SELLING FLEXWRITER** model FPC-5 Price negotiable \$900 (612) 763-3487.

## Foreign Subscription Agents for Ham Radio Magazine

Ham Radio Austria  
Karin Ueber  
Postfach 2454  
D-7850 Loerrach  
West Germany

Ham Radio Belgium  
Sterehouse  
Brusselsesteenweg 416  
B-9218 Gent  
Belgium

Ham Radio Canada  
Box 114, Goderich  
Ontario, Canada N7A 3Y5

Ham Radio Europe  
Box 444  
S-194 04 Uplands Vastby  
Sweden

Ham Radio France  
Christiano Michel  
F-89117 Parly  
France

Ham Radio Germany  
Karin Ueber  
Postfach 2454  
D-7850 Loerrach  
West Germany

Ham Radio Holland  
MRL Electronics  
Postbus 88  
NL-2206 Delft  
Holland

Ham Radio Italy  
STE, Via Maniago 15  
I-20134 Milano  
Italy

Ham Radio Switzerland  
Karin Ueber  
Postfach 2454  
D-7850 Loerrach  
West Germany

Ham Radio UK  
P.O. Box 63, Harrow  
Middlesex HA3 6HS,  
England

Holland Radio  
143 Greenway  
Greenside, Johannesburg  
Republic of South Africa

**CANADIANS:** 1,000,000 surplus electronic parts. Hundreds of fantastic bargains! Good deals on Yaesu & Icom. Free catalog. ETCO-HR, 183G Hymus Blvd., Pointe Claire, Quebec H9R 1E9.

**LOWEST PRICES** — Wilson Switchable Mark IV \$234; Mark II \$208; Accessories available; System 1 \$199; System 2 \$159; Towers-write. Telex Headsets 19% off list. New Tempo Synthesized Handheld — write. New MFJ filters, keyers in stock 15% off list. Cushcraft ARX-Z \$28, A147-11 \$25.50, Oscar Special \$85. A&A Autodialer \$78. Hustler Antennas write. All new, latest models, factory fresh with full warranty. Write for flyer. EGE Inc., 2410 Drexel, Woodbridge, VA 22192. (703) 494-7949.

**HAPPY BIRTHDAY!** Now ten years fighting TVI. The RSO low pass filter. For brochure write: Taylor Communications Manufacturing Company, Box 126, Agincourt, Ontario, Canada M1S 3B4.

**WANTED:** Regency HR-2, HR-440, AR-2 amp, SBE-450, 2 meter cavities, cash or trade Heath SB-620 Panadapter. K6KZT, 2255 Alexander, Los Osos, CA 93402.

**MOTOROLA HT220, HT200,** and Pageboy service and modifications performed at reasonable rates. WA4FRV (804) 320-4439, evenings.

**MOBILE IGNITION SHIELDING** provides more range with no noise. Available most engines. Many other suppression accessories. Literature, Estes Engineering, 930 Marine Dr., Port Angeles, WA 93862.

**RECONDITIONED TEST EQUIPMENT** for sale. Catalog \$50. Walter, 2697 Nickel, San Pablo, Ca. 94806.

**VERY In-ter-est-ing!** Next 3 issues \$1. "The Ham Trader", Sycamore, IL 60178.

**QSL CARDS** 500/\$10. 400 illustrations, sample. Bowman Printing, Dept. HR, 743 Harvard, St. Louis, MO 63130.

**YEARS OF EXPERIMENTING STOCK.** RF quality devices: Power transistors (HF to UHF), Bird parts RF capacitors, Toroids, Broadband Transformers (power), PIN diodes. SASE for list. Jack Einbar, Box 964, Newbury Park, CA 91320.

**HQ170 RCVR** 6-80 meters, excel. cond. \$125. 4-400's new, \$30 and slightly used, \$20. New 5867 triodes — pair for KW, \$25. KW plate xfmr's 5 kv/400 mA, \$40. KW Mod xfmr's \$20. J. Griffin WA1BRI, 490 Barretts Mill Rd., Concord, MA 01742. (617) 369-1652.

**HOME BREWERS:** Stamp brings component list. CPO Surplus, Box 189, Braintree, Mass. 02184.

**ELECTRONIC BARGAINS, CLOSEOUTS, SURPLUS!** Parts, equipment, stereo, industrial, educational. Amazing values! Fascinating items unavailable in stores or catalogs anywhere. Unusual FREE catalog. ETCO-012, Box 782, Plattsburgh, N.Y. 12901. SURPLUS WANTED.

**FOR SALE:** Mint Ten-Tec Triton IV 200W solid state SSB/CW xcvr with CW filter and 262G pwr supply/spkr/vox. \$650. Paul Sexauer, W9JTO, 178 E. Fullerton, Glendale Heights, IL 60137.

**BUY-SELL-TRADE.** Send \$1.00 for catalog. Give name, address and call letters. Complete stock of major brands, new and reconditioned Amateur radio equipment. Call for best deals. We buy Collins, Drake, Swan, etc. Associated Radio, 8012 Conser, Overland Park, KS 66204. (913) 381-5900.

**TELETYPE EQUIPMENT** for beginners and experienced operators. RTTY machines, parts, supplies. Beginner's special: Model 15 Printer and demodulator \$139.00. Dozen black ribbons \$8.50; case 40 rolls 11/16 perf. tape \$17.50 FOB. Atlantic Surplus Sales, 3730 Nautilus Ave., Brooklyn, N. Y. 11224. Tel: (212) 372-0349.

**EXCLUSIVELY HAM TELETYPE** 24th year, RTTY Journal, articles, news, DX, VHF, classified ads. Sample 35¢. \$3.50 per year. 1155 Arden Drive, Encinitas, Calif. 92024.

**MANUALS** for most ham gear made 1937/1970. Send only 25¢ coin for list of manuals, postpaid. HI, Inc., Box H864, Council Bluffs, Iowa 51501.

**PORTA PAK** the accessory that makes your mobile really portable. \$67.50 and \$88.00. Dealer Inquiries Invited. P.O. Box 67, Somers, Wisc. 53171.

**POST-CHECK:** study guide and self-test to aid in passing FCC exams. Same multiple choice, flip sheet, question and diagram form as FCC exams: IBM sheets for self-testing; keyed answers with explanations. Expertly devised to cover the last material released by FCC for current exams. Same day service. First class mailing prepaid USA. Check or money order with order. Novice class, \$4.95; General, \$5.95; Advanced, \$5.95; Extra Class, \$6.15. Post-Check, P.O. Box 3564H, Urbandale Station, Des Moines, Iowa 50322.

100 mfd. @ 300V. DC computer grade capacitor, 1 1/2" dia. x 2 1/2" long. NEW \$1.25 ea.

5100 mfd @ 50V. DC computer grade capacitor. NEW \$1.90

Transformer 115V, AC, tapped primary, 18V @ 42 amp secondary, fully shielded \$42.50 ppd. USA

Highest Quality E. F. Johnson Trimmer Caps. Hard-to-find P.C. board mount. .5-11 mfmf. No junk. 90¢ each; 10 for \$7.50 ppd.

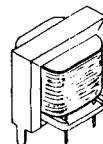


In-Line Fuseholder — Complete with 5 Amp fuse. 50¢ ea. ppd.



XTAL Socket — Standard HC-6 style 10¢ ea. ppd.

Vertical Mount Trimmer Pots — All highest quality. No junk. 100 - 1000 - 2000 - 5000 - 10K - 20K - 25K - 50K - 250K - 500K Ohms. All have thumbscrew adjust. Your choice 5 for \$1.00 ppd.



Transformer — 115 VAC Primary. 12 Volt AC 200 mA Secondary. PC board type. \$1.00 ea. ppd.

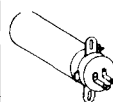
Mini-LEDs — Factory New — Color red. 15¢ ea. ppd.



Germanium Diodes — 1N34A. Factory New — full leads. 12¢ ea. ppd.

1N914-1N4148 Type diodes — full leads. 10¢ ea. or 100 for \$8.00

6 foot AC Line Cords. 2 conductor heavy duty. Color white. 40¢ ea. ppd.



**SUPER-BUY** — 5000 mfd. @ 40 volt electrolytic cap. factory new and complete w/all hardware. \$1.35 ea. ppd.

1000 volt PIV 2 amp diodes .10 ea.

88 mHy unpotted toroids 5 for \$3.50

S0239 Coax Fittings . . . . . 50¢ ea.  
PL259 Coax Fittings . . . . . 50¢ ea.

Transformer: 115V AC Primary, Secondary 17-0-17V @ 7 Amps. We tested and find good for 10 Amps intermittent duty. Ideal for 2M rigs! \$8.00 ea. ppd.

ALL ITEMS PPD USA  
SEND STAMP FOR LIST OF BARGAINS  
PA RESIDENTS ADD 6% SALES TAX  
FONE 412-863-7006



**Full Electronics**  
12690 ROUTE 30  
NORTH HUNTINGDON, PA. 15642

# MILO ASSOCIATES

BOX 323 • INDIANAPOLIS, INDIANA 46206

EQUIPMENT  
SUBSTITUTES  
COMPONENTS  
MATERIALS

PHONE 918-5050

## STOCKING STUFFERS

### COAXIAL ADAPTORS

	1023-05 Type N to PL-259 Coax. Adapter 50 Ohm. 1/2" Long. 1/2" Dia. 1/2" Thick \$2.95 ea.		1023-06 Type N to PL-259 Coax. Adapter 50 Ohm. 1/2" Long. 1/2" Dia. 1/2" Thick \$2.95 ea.
	1023-07 Type N to PL-259 Coax. Adapter 50 Ohm. 1/2" Long. 1/2" Dia. 1/2" Thick \$2.95 ea.		1023-08 Type N to PL-259 Coax. Adapter 50 Ohm. 1/2" Long. 1/2" Dia. 1/2" Thick \$2.95 ea.
	1023-09 Type N to PL-259 Coax. Adapter 50 Ohm. 1/2" Long. 1/2" Dia. 1/2" Thick \$2.95 ea.		1023-10 Type N to PL-259 Coax. Adapter 50 Ohm. 1/2" Long. 1/2" Dia. 1/2" Thick \$2.95 ea.
	1023-11 Type N to PL-259 Coax. Adapter 50 Ohm. 1/2" Long. 1/2" Dia. 1/2" Thick \$2.95 ea.		1023-12 Type N to PL-259 Coax. Adapter 50 Ohm. 1/2" Long. 1/2" Dia. 1/2" Thick \$2.95 ea.
	1023-13 Type N to PL-259 Coax. Adapter 50 Ohm. 1/2" Long. 1/2" Dia. 1/2" Thick \$2.95 ea.		1023-14 Type N to PL-259 Coax. Adapter 50 Ohm. 1/2" Long. 1/2" Dia. 1/2" Thick \$2.95 ea.

### DIP SWITCHES

CTS  
4 OR 8  
POSITION  
YOUR CHOICE  
6/\$5.00  
\$1.00 EA.

### MORE SWITCHES!

TOGGLESS  
SPDT.....95¢  
DPDT.....\$1.50  
  
ULTRA MINI P.B.  
Normally Open  
Ideal for clocks  
etc. ....50¢

### HEAT SINKS

#6025  
For TO-220 Pak  
25¢ ea. 5/\$1.00  
 #2211B  
For TO-5 Pak  
25¢ ea. 5/\$1  
 IREC #UP-103R  
For TO-3 Case  
\$1 ea. 6/\$5

### ELECTROLYTIC'S

FACTORY FRESH RADIALS!  
100 @ 25v 8/\$1.00  
100 @ 25v 6/\$1.00  
2200 @ 16v 3/\$1.00

### CERAMIC TRIMMERS

3 - 10pf  
5.5 - 18pf  
10 - 60pf  
MIX-MATCH/YOUR CHOICE!  
50¢ EA. 12/\$5.00

\$4.95 \*AMPHENOL\* COAX RELAYS! \$4.95  
SPDT Type  
115VAC Coil  
Completely silver  
plated  
Gold over silver  
contacts  
100 watt RF rating @ 2.5GHz!  
HURRY-Supply limited! (LIST=\$14.95!)

NEW FROM T.J.!!!  
76477  
SOUND EFFECT IC  
Now you can easily make  
ANY custom, complex type  
sounds you desire! 28pin  
solder-BRE. LATEST!  
\$3.50 EA. 3/\$10!  
16 page manual only 50¢

MOBILE ALARM  
Handles 50 watts to  
500MHZ. Easy in-line  
installation. No RF  
attenuation. Protect  
intire system by the  
auto horn! Reg. \$19.95  
Plate between rig &  
amp for high power  
mobiles.  
NOW ONLY \$4.95!!!

DEALERS & O.E.M.'S  
We can supply large  
quantities at super  
prices. We will buy  
your excess! Either  
way you benefit! So  
call or write today  
for quotation or an  
offer.  
ELECTRICAL TAPE!  
HIGH VOLTAGE TYPE  
 75¢ per roll 110/\$6  
High quality 3/4" X  
60' Vinyl tape for a  
very small price!

ITS EASY TO ORDER!  
Use Visa; Master Charge; Check; M.O.; C.O.D.  
Telephone orders welcome - 24 hours a day!  
Allow for shipping - excess quickly refunded  
Minimum order of \$5.00 please!  
Indiana residents add 4% tax  
Prices good through cover month

WILSON WE-800 with 16-button touch tone pad. Mint. Includes batteries, charger, manual and two extra programming boards!! \$435.00. Also Western Electric touch tone pad in housing, \$20.00; Two Gel-cells, 6V, 9AH, with charger, \$15.00; Rado Shack 6 to 12V voltage inverter, \$10.00. KB6CC, 1420 South Central Ave., Visalia, CA 93277. (209) 733-4715.

EZ deals are the best! Try me and see for Yaesu, Drake, KLM, Swan, Cushcraft, DenTron, VHF Eng., ICOM, CDE, Hustler, Wilson and more. Call, see or write W0EZ, Bob Smith Electronics, RFD 3, Hwy 169 & 7, Fort Dodge, IA 50501. (515) 576-3886.

THE MEASUREMENT SHOP has used/reconditioned test equipment at sensible prices; catalog. 2 West 22nd St., Baltimore, MD 21218.

CERTIFICATE for proven two-way radio contacts with Amateurs in all ten USA call areas. Award suitable to frame and proven achievements added on request. SASE brings TAD data sheet from W6LS, 2814 Empire, Burbank, CA 91504.

AUTHORIZED DISTRIBUTOR F9FT Antennas, Microwave Modules, RIW Products' new tandem reflector, 19 element, 432 MHz Yagi — Radio Clinic — N2MB (formerly WA2BIT) 212-327-4952.

TEST EQUIPMENT CATALOG listing used Tektronix, HP and GR equipment at bargain prices. PTI, Box 8699, White Bear Lake, MN 55110. Price \$1.00 refundable with first order.

STOP LOOKING for a good deal on amateur radio equipment — you've found it here — at your amateur radio headquarter in the heart of the Midwest. We may not have a toll free number but we'll save you more in the long run! We are factory-authorized dealers for Kenwood, Drake, Yaesu, Collins, Wilson, Ten-Tec, Atlas, ICOM, DenTron, MFJ, Tempo, Regency, Hy-Gain, Mosley, Alpha, CushCraft, Swan, and many more. Write or call us today for low quote and try our personal and friendly Hoosier service. HOOSIER ELECTRONICS, P.O. Box 2001, Terre Haute, Indiana 47802. (812) 238-1456.

KENWOOD TS-520 transceiver, remote VFO, speaker, PDC wattmeter for sale. Make offer or will consider trade for computer, terminal, printer, etc. Write to Pete, P.O. Box 399, Sunnymead, CA 92388.

WANTED — Radio transcription discs. Any size or speed. Larry, W7FIZ. Box 724, Redmond, Washington 98052.

SOLAR CELLS 4" Dia. 4V at 2 amps. 10 for \$65.00 plus shipping. WB0DFS, 1742 Dowd Drive, St. Louis, MO 63136. (314) 522-6667.

OLD QST MAGAZINES N. C. Malpass, W4NZS, 1504 Boyette Dr., Goldsboro, N. C. 27530.

ELECTRONIC EQUIPMENT HOTLINE is a classified advertising newsletter for professional, industrial, and surplus electronic equipment. Subscriptions \$8/year, ads 50¢/word. P.O. Box 4788, Dept HH, Panorama City, CA 91412.

FREE CATALOGS: P.C. boards from your artwork or favorite magazine. Also parts and kits. Hauck Electronics, 1928 Fairacres Ave., Pgh., PA 15216.

LAB TEST EQUIPMENT, bargain prices. SASE for flyer. TDL Electronics, Box 9674, Kansas City, MO 64134.

RTTY — bandpass active filter 2125/2295 Hz. Easily tuned. Requires only +12V. Kit \$11.95, W/T \$16.95 ppd. Nat Stinnette Electronics, Tavara, FL 32778.

PHOTOS wanted for rare or unusual U.S.-manufactured long-range communication receivers (or permission to photograph same) for use in communication receiver history covering 1918-1978. H.L. Chadbourne, 530 Midway Street, La Jolla, CA 92037.

SELL Boonton 202D Signal Generator, Reconditioned, \$50 plus transp. W6LGG, 34 Laurel Ave., Petaluma, CA 94952.

BE GOOD TO YOURSELF through R-UN. Reward yourself with a new accessory or antenna or a new band or a second rig or new first-string replacement rig. Here's R-UN's partial reward-yourself list. Accessory: keyer ( ), tuner ( ), amp ( ), other ( ), Antenna: mobile ( ), fixed vertical ( ), tower ( ), other ( ), A second rig: mobile ( ), GRP ( ), hernia special ( ), A new band: 2 meters ( ), higher ( ), to duh moon ( ). Solid state HF for your ARS ( ). We can help you select from top amateur equipment brands. And will even mail along a "Thank You" card from U to U. (Or anyone else.) Don't just leave to North Pole Nick (or the Bunny) again. R-UN in or jingle the telephone bells now to Radios UNLIMITED, 1760 Easton Avenue, P.O. Box 347, Somerset, New Jersey 08873. (201) 469-4599.

# NEW FROM GLB

A complete line of QUALITY 50 thru 450 MHz TRANSMITTER AND RECEIVER KITS. Only two boards for a complete receiver. 4 pole crystal filter is standard. Use with our CHANNELIZER or your crystals. Priced from \$69.95. Matching transmitter strips. Easy construction, clean spectrum, TWO WATTS output, unsurpassed audio quality and built in TONE PAD INTERFACE. Priced from \$29.95.

SYNTHESIZER KITS from 50 to 450 MHz. Prices start at \$119.95.

Now available in KIT FORM — GLB Model 200 MINI-SIZER.

Fits any HT. Only 3.5 mA current drain. Kit price \$159.95 Wired and tested. \$239.95

Send for FREE 16 page catalog. We welcome Mastercharge or VISA

**GLB ELECTRONICS**  
1952 Clinton St., Buffalo, N. Y. 14206

## QUARTZ CRYSTALS "IN A HURRY" SINCE 1970

CRYSTALS AVAILABLE FOR:

- CB — Synthesizers
- Amateur - HF, VHF, UHF
- Industrial
- Scanner
- Marine — LB & VHF
- Conversion Crystals
- Special Attention to R & D.
- Micro-processor Types.

DISCOUNTS AVAILABLE TO DEALERS & MANUFACTURERS

CALL "BONNIE" FOR PRICES & DELIVERY

VISA & MASTER CHARGE credit cards accepted.

**CAL CRYSTAL LAB, INC.**  
1142 N. Gilbert Street  
Anaheim, CA 92801  
(714) 991-1580

# MADISON ELECTRONICS SUPPLY, INC.

1508-D MCKINNEY  
713/658-0268

HOUSTON, TEXAS 77002  
Nites 713/497-5683

**NEW! EXCITING! BREAKTHROUGH!**

**YAESU FRG-7000  
Shortwave Receiver**



**\$655.00**

*The Most Exciting  
Shortwave Receiver  
Since the HRO!*

*(Call for Quotes)*

## ANTENNAS

Model OJA-146

TWO METER AMATEUR BAND 146-148MHz

- NO GROUND PLANE REQUIRED
- USE FIXED, MOBILE, OR PORTABLE
- 5dB GAIN OVER ISOTROPIC IN MOST MOBILE APPLICATIONS
- OVERALL LENGTH: LESS THAN 64 INCHES
- COLLAPSIBLE TO 22 INCHES. MAY BE PACKED IN SUIT CASE FOR THOSE OUT-OF-TOWN TRIPS
- STEEL WHIP AND ADAPTER INCLUDED FOR MOBILE AND FIXED APPLICATIONS
- VSWR: LESS THAN 1.2:1

**PRICE \$39.95** UPS Prepaid

220 MHz — \$37.95 450 MHz — \$37.95

**CALL FOR FAST QUOTES  
SPECIAL ORDERS WELCOME**

**TERMS:** All prices FOB Houston. Prices subject to change without notice. All items Guaranteed. Some items subject to prior sale. Send letterhead for Amateur dealers price list. Texas residents add 6% tax. Please add postage estimate.

W5GJ, W5MBB, K5AAD, N5JJ, W5IMJ, AG5K, WD5EDE, K5ZD, WD5ABR, WA5TGU, WD5BDX, WB5AYF, K5RC, K5BGB.

Have A Nice Day!  
DLA

## Palomar Engineers

### NEW ALL BAND PREAMPLIFIER

- Continuously Tuneable
- Covers All Amateur Bands from 160-6 m.
- Provides 20 db of gain
- Dual Gate FET for low noise figure
- An RF sensing circuit allows use with transceivers
- Built-in 117 volt AC Power Supply
- Connecting Coaxial cable for transceiver included

**\$89.50**

## ETO — ALPHA

*Buy The Best First!*  
Full Power + C.C.S. Ratings.

76A	\$1,395.00
76PA	1,695.00
374A	1,795.00
78	2,395.00

### THIS MONTH'S SPECIAL

ICOM IC-280 ..... \$395.00

**16 ELEMENTS — F9FT — 144 MHz**



*The 'Tonna' You've been  
hearing about*

144/146 MHz	SWR 1.2:1
50 ohms	Wt. 4.4 kg.
length 6.4 m.	Horiz./Vert.
Horizontal aperture	2 x 16° (-3 dB)
Vertical aperture	2 x 17° (-3 dB)

**\$79.95**

9 Element 144-146 .....	\$39.95
4 Element 144-146 .....	\$32.95

## MADISON ELECTRONICS SUPPLY, INC.

1508-D MCKINNEY  
713/658-0268

HOUSTON, TEXAS 77002  
Nites 713/497-5683

LATE SPECIAL: All FINCO Amateur Antennas — 10% off list in stock

Presenting  
**THE A.R.O. UNITY RING**



**Your Prestige**      **Your Pride**

The unique, one of a kind, personalized "A.R.O. UNITY RING".

Your call letters. Your identity. Made just for you.

Group III, WB2LCJ, WB2LCK and WB2LHC designed this beautiful 10 Karat Gold ring because of our pride in Amateur Radio. Wear this ring of distinction, personalized with your call letters and symbolizing the great and proud fraternity of Amateur Radio. We invite you to QSL for full color brochure and free reusable ring sizer.

Holiday Orders: Must Be Received By October 25th.  
Group III Sales Co. Dept. 35 - P.O. Box 259 Little Neck, N.Y. 11362

No Obligation

## SIGNAL GENERATORS

### RECONDITIONED AND LAB CALIBRATED

- AN/URM-25, 10 KHZ THRU 50 MHZ, AM/CW MODULATION 400 & 1 KHZ, RF OUTPUT 0-2V OR 0-.1V PRECISION 50 OHM STOP ATTENUATOR ..... \$285.00
- TS-497/URR, 10 KHZ THRU 50 MHZ, AM/CW 0-100,000 MV, 2 THRU 400 MHZ, MILITARY VERSION OF MEASUREMENTS MODEL 80. .... 225.00
- TS-510A/U RANGE 10 MHZ THRU 420 MHZ OUTPUT VOLTAGE .5V to 1V, MODULATION 400, 1000 HZ BUILT-IN CALIBRATOR, AM, CW, PULSE. .... 425.00
- SG-12/U, RANGE 20 MHZ THRU 100 MHZ IN 5 RANGES, BUILT-IN FM MODULATION, CALIBRATED OUTPUT METER AND DEVIATION, CRYSTAL MARKERS ..... 185.00
- SG-3/U RANGE 50 THRU 400 MHZ IN 3 BANDS, RF OUTPUT .1V, VARIABLE 50 OHM ATTENUATOR, FM DEVIATION 0-150 KHZ IN 3 RANGES. .... 385.00
- SG-24/TRM-3 SWEEP SIGNAL GENERATOR, RANGE 15 THRU 400 MHZ, FM, AM, CW OUTPUT, FM DEVIATION, BUILT-IN OSCILLOSCOPES FOR OBSERVING WAVEFORMS, CRYSTAL MARKERS ..... 265.00
- COLLINS 479T-2 VOR/ILS, RANGE 108-135.9 MHZ AND 329.3 TO 335 MHZ OUTPUT SIGNALS INCLUDE VOR, LOC, GLIDESLOPE AND 1000 CPS, OPERATES FROM 28 VDC AIRCRAFT OR BENCH POWER SUPPLY ..... 225.00
- TS-621/URM-52 RANGE 3.8 THRU 7 GHZ, SAME AS HP618B, CW, PULSE, FM, SQUARE WAVE. .... 285.00
- TS-403/URM-61 RANGE 1800 THRU 4000 MHZ, FM, CW, PULSE, SQUARE WAVE, MILITARY VERSION OF HP616A ..... 285.00
- TS-418/URM-49, RANGE 400 THRU 1000 MHZ AM, CW OR PULSE. .... 145.00
- TS-419/URM-64, RANGE 900 THRU 2100 MHZ CW OR PULSE EMISSION .... 165.00
- SG-66/ARM-5, VOR GENERATOR RANGE 108 THRU 132 MHZ, MILITARY VERSION ARC H-14A ..... 285.00
- SATISFACTION GUARANTEED OR MONEY REFUNDED. SEND CHECK, M. C. OR VISA, FOB OTTO, N. C., PHONE BILL SLEP (704) 524-7519.

**SLEP ELECTRONICS**  **CO.**

P.O. BOX 100, HWY. 441, DEPT. HR  
OTTO, NORTH CAROLINA 28763

YAESU Fldx 400 xmt: \$280/offer. Drake 2B, 2BQ: \$195/offer. Both excellent. Jeff, WA3WGO, 6614 32nd St. N.W., Washington, D.C. 20015. (202) 244-4254 (home), (202) 724-6106 (office).

**MERRY XMAS and HAPPY NEW YEAR** from W8CVU. On the air since 1913. The world's finest hobby.

**WANTED:** Henry 3-K-A Linear amplifier must be in mint condition. K6RMM, S. Kurtzman, 2305 Liveoak Meadow Rd., Malibu, CA 90265. (213) 456-9608.

**LOW POWER CLUB:** Join QRP A.R.C. WBJKB Sect'y, 2359 Woodford Street, Toledo, OH 43605.

**REPLACE RUSTED ANTENNA BOLTS** with stainless steel. Small quantities, free catalog. Elwick, Dept. 309, 230 Woods Lane, Somerdale, N. J. 08083.

**TECH MANUALS** for Govt. surplus gear — \$6.50 each: SP-600JX, URM-25D, OS-8A/U, TS-173/UR. Thousands more available. Send 50¢ (coin) for 22-page list. W3IHD, 7218 Roanne Drive, Washington, DC 20021.

**SELL** at "garage-sale" prices — aircraft instruments, panel meters, transformers, capacitors, relays, switches, tubes, magazines and more. ROY JOHNSON, Apt. 110, 539 South 26th Avenue, Omaha, Nebraska 68105.

**DRAKE T4XB**, seldom used, mint w/manual \$400. Drake RCVR 2C, seldom used as backup, mint w/manual \$185. R. McKinney WB8SKX, (513) 562-4087 days or 3251 Hardisty, Cincinnati, 45208.

## Coming Events

**SOUTH BEND, INDIANA** Hamfest Swap & Shop, January 7, 1979, first Sunday after New Years Day at New Century Center downtown by river on U.S. 31 One-way North across from St. Joseph Bank Building. Half acre in one large room at ground level. Tables \$3 each. Food service, automobile museum and Art Center in same building. Four lane highways to door from all directions. Talk-in Freq: 146.52-52, 13-73, 34-94; 147.99-39, 93-33, 84-24, 69-09.

**ROCHESTER** Hamfest & NY State ARRL Convention, May 25-27. Add your name to mailing list. Send QSL to Rochester Hamfest, Box 1388, Rochester, NY 14603. Phone (716) 424-1100.

**WORKSHOPS:** An expanded and new series of four lecture/laboratory workshops on microcomputer data acquisition, instrumentation and measurement systems are being given by the authors of the popular Bugbooks. Course dates are November 27 to December 2, 1978 and December 18-21, 1978. For more information, contact Dr. Linda Lefel, Center for Continuing Education, Virginia Polytechnic Institute and State University, Blacksburg, VA 24061. (303) 961-5241.

**TEN TEN INTERNATIONAL** Net Winter CW QSO Party, December 16-17. 0000Z-2400Z the next day. (48 hour period). All contacts below 28.5 MHz. Exchange: Name, QTH, 10-x number (if you have one). Scoring: 1(one) point per contact, 1(one) point if with a 10-x member, 1(one) point if with a novice or technician. Novices sign/N, Technicians sign/T. (maximum score per completed contact is 3 points). Be sure to specify date and time of each contact on your logs. Give chapter for chapter credit. Send your name, QTH, call, and 10-x number along with all logs to: Daniel Rubin WA1ZXB, 12 Princeton Street, Danvers, MA 01923, no later than January 20, 1979. Awards given.

## ANTENNAS FOR ALL BANDS!

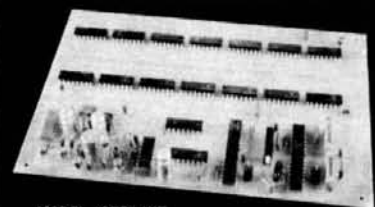


**LOW COST - LIGHT - STRONG - NEAT - HIGH QUALITY SINGLE BAND** standard Transmitting or receiving Horizontal ANTENNAS for All AMATEUR BANDS, MARS, Short Wave, Special Frequencies. POWER up to 2000 watts - all modes - All MAKES - MODELS TRANSCIEVERS! Wt. 3 lbs with 30 ft. 300 lb. test Dacron ends, 16 Ga Copperweld - Insulators. Molded connector with lightning arrester - 50 ft. FOAM RG58U (RG8U at \$10.00 More) with PL259 Connector - COMPLETELY ASSEMBLED - READY TO PUT UP AND USE! Set for low end of band - adjustable to any exact freq. without tools or cutting (Freq. chart furnished). Can be used on top of buildings - in attics - ANYWHERE for TRUE DI-POLE radiation - the STANDARD OF ALL RADIO ANTENNAS! PORTABLE - EASY TO MOVE and erect. Weatherproof - LONG LIFE!

80 meter - 125 ft. No. HD-80	10 meter - 16 ft. No. HD-10
40 meter - 65 ft. No. HD-40	6 meter - 9 ft. No. HD-6
20 meter - 33 ft. No. HD-20	Citizens B-17 ft. No. CB-40
15 meter - 22 ft. No. HD-15	49 meter - 77 ft. No. HD-49

ANY MODEL No. \$19.95 (plus) \$2.00 postage in USA, (Special Freq. \$3.00 more - Advise exact freq. in MHz - 2 to 150) SEND FULL PRICE OR ORDER WITH VISA (Bank-america) MASTER CHARGE - AM EXP. Give No. and Ex. Date. Ph 1-308-236-5333 9AM-6PM, weekdays. We ship in 2-3 days. Order now and best price increase FREE INFORMATION. WESTERN ELECTRONICS Dept. AR-12 Kearney, Nebraska, 68847

**FULLY AUTOMATIC C.W. IDENTIFIER**



**MODEL 12751 KIT**

REGULAR \$59.50 VALUE, NOW ONLY **\$35.95\***

**MODEL 12751** — connects in line between mic. and transmitter requiring no modification to transceiver • automatic 1 to 10 min. timer • 5 to 40 wpm adjustable code speed • built-in squelch tail • auto or manual modes • ideal for repeaters • 5" x 7" PCB and 20-page manual.

**FACTORY PROGRAMMED MEMORY IDer KITS**

**MODEL 11764** — semi-auto. MCW IDer • adjustable audio level • programmable code speed, tone and repeat interval • 1.7" x 3" PCB. \$29.95/kit\*

**MODEL 97710** — manual CW IDer • programmable code speed • IDs upon request • ideal for contesting or repeated messages • 1.5" x 2.2" PCB. \$24.95/kit\*

**MODEL 11765** — beacon CW IDer • programmable code speed • great for 1750-meter band • 1.3" x 2" PCB. \$19.95/kit\* (additional pre-programmed memory elements available)

\*Include \$3 shpg/hdlg., \$5 foreign. CA res. add 6% tax. CODs accepted. Send check or MO, allow 3 weeks on personal checks. Write for additional information.

**SECURITRON Co.**  
P. O. Box 24899  
San Jose, CA 95154

Phone (408) 294-8383

— PCB — PCB — PCB — PCB — PCB — PCB —

PCB — PCB — PCB — PCB — PCB — PCB —

**ETCH-IT-YOURSELF**  
**Printed Circuit Kit**

**\$19.95 ppd.**

**NOW YOU CAN** design and produce your own printed circuit boards. IT'S EASY. Photo positive method. No darkroom required. LESS THAN 2 HOURS to produce a p.c. board direct from magazine article. KIT INCLUDES materials to make 4 p.c. boards direct from magazine article. Add \$1 for COD. S.A.S.E. for details.

**EXCEL CIRCUITS co.**  
4412 Fernlee 313-549-0440  
Royal Oak, MI 48073

— PCB — PCB — PCB — PCB — PCB — PCB —

**GROTH-Type**  
**COUNTS & DISPLAYS YOUR TURNS**



- 99.99 Turns
- One Hole Panel Mount
- Handy Logging Area
- Spinner Handle Available

Case: 2x4"; shaft ¼"x3"

**Model TC2:** Skirt 2-1/8"; Knob 1-5/8"

**Model TC3:** Skirt 3"; Knob 2-3/8"

**PRICES** POST PAID

TC 2	\$8.00
TC 3	\$8.75
Spinner (S)	\$1.00

Add \$0.75 for Air or UPS

**R. H. BAUMAN SALES**  
P.O. Box 122, Itasca, Ill. 60143



# WHERE RELIABILITY AND ACCURACY COUNT

## INTERNATIONAL CRYSTALS 70 KHz to 160 MHz

### CRYSTAL TYPES

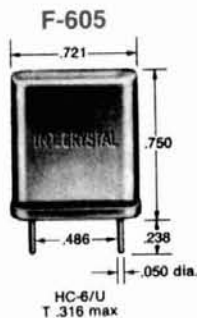
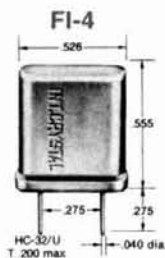
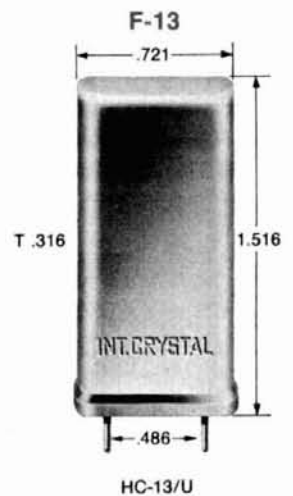
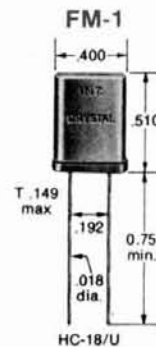
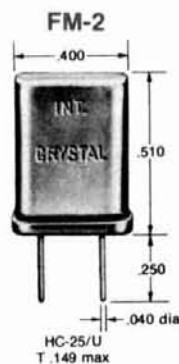
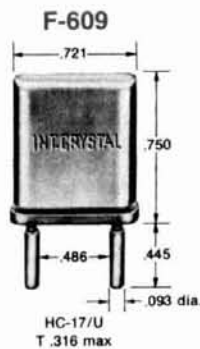
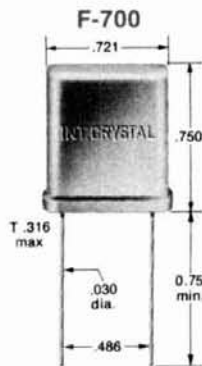
- (GP) for "General Purpose" applications
- (CS) for "Commercial" equipment
- (HA) for "High Accuracy" close temperature tolerance requirements

International Crystals are available from 70 KHz to 160 MHz in a wide variety of holders.

WRITE FOR INFORMATION

**International  
Crystal Manufacturing Co., Inc.  
guarantees  
every crystal against defective  
materials and workmanship for  
an unlimited time, when used in  
equipment for which they were  
specifically made.**

### HOLDER TYPES



**INTERNATIONAL CRYSTAL MFG. CO., INC.**  
10 North Lee / Oklahoma City, Okla. 73102

# BULLET ELECTRONICS

P.O. Box 19442  
Dallas, TX. 75219  
(214)823-3240

**UNIVERSAL SOUND EFFECTS BOARD**  
HAVE YOU EVER WISHED YOU COULD DUPLICATE THE SOUND OF A STORM, TRAIN OR A FAVORITE QUART? NOW YOU CAN! CONCRETE, WHISTLES, TRAINS, BARKING DOGS AND OTHER SOUND EFFECTS! NOW YOU CAN WITH OUR PERMANENTLY MOUNTED EFFECTS KIT. IT DOES THE WORK FOR YOU! SOUND CONTROLLER (ON/OFF), SWITCH AND THERMIST (CONTROLLER). IT IS EASY TO ASSEMBLE TO SAVE SPACE. 1/8" WATT OF AUDIO OUTPUT. WE PROVIDE THE P.C. BOARD, PARTS AND INSTRUCTIONS. CALL WITH A CHECK TO BRING HOME THE SOUND EFFECTS BOARD. USE YOUR IMAGINATION TO CREATE ORIGINAL SOUND EFFECTS. ORDER 12-11 14.95 (plus 3.00 P. & H.)

**6 DIGIT ZULU CLOCK KIT**  
A new clock for HAMs. Designed with large bright LED digits to enhance your shack. The unit is a pleasure to assemble and to use on the bench. You get top quality parts and plated P.C. boards. The unique design of the board eliminates the headache of routing wires between clock and readout board. As a bonus, the unit has a built-in timer that can be set to zero without disturbing your time. It signals time in minutes and seconds up to 25 minutes. The full sized PCB is readout and timing. Making ordering items from across the room. Does NOT use the old style 1/14 chip. DUE TO A SPECIAL PURCHASE WE HAVE A LIMITED QUANTITY.

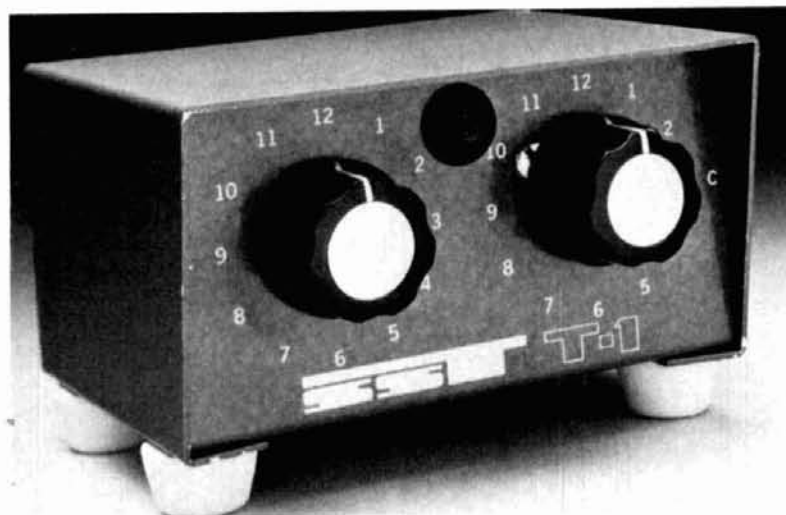
*We Promised!*

**WABLE RLAM Kit**  
A Fun RLAM Kit to assemble. Just attach an earphone, 10 watt beam horn antenna. Assemble European case board. Great for gifts of ham friends. Components cost \$12.00. Kit cost \$14.95. Includes 1200mAh NiCd battery. Over-Tune (Overhaul) has been used. All parts including PCB board. 2500mAh. ORDER # WAB 02  
**2.50**

**MK-05 MINI MOBILE CLOCK**  
A new clock for HAMs. Designed with large bright LED digits to enhance your shack. The unit is a pleasure to assemble and to use on the bench. You get top quality parts and plated P.C. boards. The unique design of the board eliminates the headache of routing wires between clock and readout board. As a bonus, the unit has a built-in timer that can be set to zero without disturbing your time. It signals time in minutes and seconds up to 25 minutes. The full sized PCB is readout and timing. Making ordering items from across the room. Does NOT use the old style 1/14 chip. DUE TO A SPECIAL PURCHASE WE HAVE A LIMITED QUANTITY.  
**12.95**

**Diodes**  
1N4001 1A 15V 1.00  
1N4002 1A 10V 1.00  
1N4003 1A 5V 1.00  
1N4004 1A 5V 1.00  
1N4005 1A 5V 1.00  
1N4006 1A 5V 1.00  
1N4007 1A 5V 1.00  
1N4008 1A 5V 1.00  
1N4009 1A 5V 1.00  
1N4010 1A 5V 1.00  
1N4011 1A 5V 1.00  
1N4012 1A 5V 1.00  
1N4013 1A 5V 1.00  
1N4014 1A 5V 1.00  
1N4015 1A 5V 1.00  
1N4016 1A 5V 1.00  
1N4017 1A 5V 1.00  
1N4018 1A 5V 1.00  
1N4019 1A 5V 1.00  
1N4020 1A 5V 1.00  
1N4021 1A 5V 1.00  
1N4022 1A 5V 1.00  
1N4023 1A 5V 1.00  
1N4024 1A 5V 1.00  
1N4025 1A 5V 1.00  
1N4026 1A 5V 1.00  
1N4027 1A 5V 1.00  
1N4028 1A 5V 1.00  
1N4029 1A 5V 1.00  
1N4030 1A 5V 1.00  
1N4031 1A 5V 1.00  
1N4032 1A 5V 1.00  
1N4033 1A 5V 1.00  
1N4034 1A 5V 1.00  
1N4035 1A 5V 1.00  
1N4036 1A 5V 1.00  
1N4037 1A 5V 1.00  
1N4038 1A 5V 1.00  
1N4039 1A 5V 1.00  
1N4040 1A 5V 1.00  
1N4041 1A 5V 1.00  
1N4042 1A 5V 1.00  
1N4043 1A 5V 1.00  
1N4044 1A 5V 1.00  
1N4045 1A 5V 1.00  
1N4046 1A 5V 1.00  
1N4047 1A 5V 1.00  
1N4048 1A 5V 1.00  
1N4049 1A 5V 1.00  
1N4050 1A 5V 1.00  
1N4051 1A 5V 1.00  
1N4052 1A 5V 1.00  
1N4053 1A 5V 1.00  
1N4054 1A 5V 1.00  
1N4055 1A 5V 1.00  
1N4056 1A 5V 1.00  
1N4057 1A 5V 1.00  
1N4058 1A 5V 1.00  
1N4059 1A 5V 1.00  
1N4060 1A 5V 1.00  
1N4061 1A 5V 1.00  
1N4062 1A 5V 1.00  
1N4063 1A 5V 1.00  
1N4064 1A 5V 1.00  
1N4065 1A 5V 1.00  
1N4066 1A 5V 1.00  
1N4067 1A 5V 1.00  
1N4068 1A 5V 1.00  
1N4069 1A 5V 1.00  
1N4070 1A 5V 1.00  
1N4071 1A 5V 1.00  
1N4072 1A 5V 1.00  
1N4073 1A 5V 1.00  
1N4074 1A 5V 1.00  
1N4075 1A 5V 1.00  
1N4076 1A 5V 1.00  
1N4077 1A 5V 1.00  
1N4078 1A 5V 1.00  
1N4079 1A 5V 1.00  
1N4080 1A 5V 1.00  
1N4081 1A 5V 1.00  
1N4082 1A 5V 1.00  
1N4083 1A 5V 1.00  
1N4084 1A 5V 1.00  
1N4085 1A 5V 1.00  
1N4086 1A 5V 1.00  
1N4087 1A 5V 1.00  
1N4088 1A 5V 1.00  
1N4089 1A 5V 1.00  
1N4090 1A 5V 1.00  
1N4091 1A 5V 1.00  
1N4092 1A 5V 1.00  
1N4093 1A 5V 1.00  
1N4094 1A 5V 1.00  
1N4095 1A 5V 1.00  
1N4096 1A 5V 1.00  
1N4097 1A 5V 1.00  
1N4098 1A 5V 1.00  
1N4099 1A 5V 1.00  
1N4100 1A 5V 1.00  
1N4101 1A 5V 1.00  
1N4102 1A 5V 1.00  
1N4103 1A 5V 1.00  
1N4104 1A 5V 1.00  
1N4105 1A 5V 1.00  
1N4106 1A 5V 1.00  
1N4107 1A 5V 1.00  
1N4108 1A 5V 1.00  
1N4109 1A 5V 1.00  
1N4110 1A 5V 1.00  
1N4111 1A 5V 1.00  
1N4112 1A 5V 1.00  
1N4113 1A 5V 1.00  
1N4114 1A 5V 1.00  
1N4115 1A 5V 1.00  
1N4116 1A 5V 1.00  
1N4117 1A 5V 1.00  
1N4118 1A 5V 1.00  
1N4119 1A 5V 1.00  
1N4120 1A 5V 1.00  
1N4121 1A 5V 1.00  
1N4122 1A 5V 1.00  
1N4123 1A 5V 1.00  
1N4124 1A 5V 1.00  
1N4125 1A 5V 1.00  
1N4126 1A 5V 1.00  
1N4127 1A 5V 1.00  
1N4128 1A 5V 1.00  
1N4129 1A 5V 1.00  
1N4130 1A 5V 1.00  
1N4131 1A 5V 1.00  
1N4132 1A 5V 1.00  
1N4133 1A 5V 1.00  
1N4134 1A 5V 1.00  
1N4135 1A 5V 1.00  
1N4136 1A 5V 1.00  
1N4137 1A 5V 1.00  
1N4138 1A 5V 1.00  
1N4139 1A 5V 1.00  
1N4140 1A 5V 1.00  
1N4141 1A 5V 1.00  
1N4142 1A 5V 1.00  
1N4143 1A 5V 1.00  
1N4144 1A 5V 1.00  
1N4145 1A 5V 1.00  
1N4146 1A 5V 1.00  
1N4147 1A 5V 1.00  
1N4148 1A 5V 1.00  
1N4149 1A 5V 1.00  
1N4150 1A 5V 1.00  
1N4151 1A 5V 1.00  
1N4152 1A 5V 1.00  
1N4153 1A 5V 1.00  
1N4154 1A 5V 1.00  
1N4155 1A 5V 1.00  
1N4156 1A 5V 1.00  
1N4157 1A 5V 1.00  
1N4158 1A 5V 1.00  
1N4159 1A 5V 1.00  
1N4160 1A 5V 1.00  
1N4161 1A 5V 1.00  
1N4162 1A 5V 1.00  
1N4163 1A 5V 1.00  
1N4164 1A 5V 1.00  
1N4165 1A 5V 1.00  
1N4166 1A 5V 1.00  
1N4167 1A 5V 1.00  
1N4168 1A 5V 1.00  
1N4169 1A 5V 1.00  
1N4170 1A 5V 1.00  
1N4171 1A 5V 1.00  
1N4172 1A 5V 1.00  
1N4173 1A 5V 1.00  
1N4174 1A 5V 1.00  
1N4175 1A 5V 1.00  
1N4176 1A 5V 1.00  
1N4177 1A 5V 1.00  
1N4178 1A 5V 1.00  
1N4179 1A 5V 1.00  
1N4180 1A 5V 1.00  
1N4181 1A 5V 1.00  
1N4182 1A 5V 1.00  
1N4183 1A 5V 1.00  
1N4184 1A 5V 1.00  
1N4185 1A 5V 1.00  
1N4186 1A 5V 1.00  
1N4187 1A 5V 1.00  
1N4188 1A 5V 1.00  
1N4189 1A 5V 1.00  
1N4190 1A 5V 1.00  
1N4191 1A 5V 1.00  
1N4192 1A 5V 1.00  
1N4193 1A 5V 1.00  
1N4194 1A 5V 1.00  
1N4195 1A 5V 1.00  
1N4196 1A 5V 1.00  
1N4197 1A 5V 1.00  
1N4198 1A 5V 1.00  
1N4199 1A 5V 1.00  
1N4200 1A 5V 1.00  
1N4201 1A 5V 1.00  
1N4202 1A 5V 1.00  
1N4203 1A 5V 1.00  
1N4204 1A 5V 1.00  
1N4205 1A 5V 1.00  
1N4206 1A 5V 1.00  
1N4207 1A 5V 1.00  
1N4208 1A 5V 1.00  
1N4209 1A 5V 1.00  
1N4210 1A 5V 1.00  
1N4211 1A 5V 1.00  
1N4212 1A 5V 1.00  
1N4213 1A 5V 1.00  
1N4214 1A 5V 1.00  
1N4215 1A 5V 1.00  
1N4216 1A 5V 1.00  
1N4217 1A 5V 1.00  
1N4218 1A 5V 1.00  
1N4219 1A 5V 1.00  
1N4220 1A 5V 1.00  
1N4221 1A 5V 1.00  
1N4222 1A 5V 1.00  
1N4223 1A 5V 1.00  
1N4224 1A 5V 1.00  
1N4225 1A 5V 1.00  
1N4226 1A 5V 1.00  
1N4227 1A 5V 1.00  
1N4228 1A 5V 1.00  
1N4229 1A 5V 1.00  
1N4230 1A 5V 1.00  
1N4231 1A 5V 1.00  
1N4232 1A 5V 1.00  
1N4233 1A 5V 1.00  
1N4234 1A 5V 1.00  
1N4235 1A 5V 1.00  
1N4236 1A 5V 1.00  
1N4237 1A 5V 1.00  
1N4238 1A 5V 1.00  
1N4239 1A 5V 1.00  
1N4240 1A 5V 1.00  
1N4241 1A 5V 1.00  
1N4242 1A 5V 1.00  
1N4243 1A 5V 1.00  
1N4244 1A 5V 1.00  
1N4245 1A 5V 1.00  
1N4246 1A 5V 1.00  
1N4247 1A 5V 1.00  
1N4248 1A 5V 1.00  
1N4249 1A 5V 1.00  
1N4250 1A 5V 1.00  
1N4251 1A 5V 1.00  
1N4252 1A 5V 1.00  
1N4253 1A 5V 1.00  
1N4254 1A 5V 1.00  
1N4255 1A 5V 1.00  
1N4256 1A 5V 1.00  
1N4257 1A 5V 1.00  
1N4258 1A 5V 1.00  
1N4259 1A 5V 1.00  
1N4260 1A 5V 1.00  
1N4261 1A 5V 1.00  
1N4262 1A 5V 1.00  
1N4263 1A 5V 1.00  
1N4264 1A 5V 1.00  
1N4265 1A 5V 1.00  
1N4266 1A 5V 1.00  
1N4267 1A 5V 1.00  
1N4268 1A 5V 1.00  
1N4269 1A 5V 1.00  
1N4270 1A 5V 1.00  
1N4271 1A 5V 1.00  
1N4272 1A 5V 1.00  
1N4273 1A 5V 1.00  
1N4274 1A 5V 1.00  
1N4275 1A 5V 1.00  
1N4276 1A 5V 1.00  
1N4277 1A 5V 1.00  
1N4278 1A 5V 1.00  
1N4279 1A 5V 1.00  
1N4280 1A 5V 1.00  
1N4281 1A 5V 1.00  
1N4282 1A 5V 1.00  
1N4283 1A 5V 1.00  
1N4284 1A 5V 1.00  
1N4285 1A 5V 1.00  
1N4286 1A 5V 1.00  
1N4287 1A 5V 1.00  
1N4288 1A 5V 1.00  
1N4289 1A 5V 1.00  
1N4290 1A 5V 1.00  
1N4291 1A 5V 1.00  
1N4292 1A 5V 1.00  
1N4293 1A 5V 1.00  
1N4294 1A 5V 1.00  
1N4295 1A 5V 1.00  
1N4296 1A 5V 1.00  
1N4297 1A 5V 1.00  
1N4298 1A 5V 1.00  
1N4299 1A 5V 1.00  
1N4300 1A 5V 1.00  
1N4301 1A 5V 1.00  
1N4302 1A 5V 1.00  
1N4303 1A 5V 1.00  
1N4304 1A 5V 1.00  
1N4305 1A 5V 1.00  
1N4306 1A 5V 1.00  
1N4307 1A 5V 1.00  
1N4308 1A 5V 1.00  
1N4309 1A 5V 1.00  
1N4310 1A 5V 1.00  
1N4311 1A 5V 1.00  
1N4312 1A 5V 1.00  
1N4313 1A 5V 1.00  
1N4314 1A 5V 1.00  
1N4315 1A 5V 1.00  
1N4316 1A 5V 1.00  
1N4317 1A 5V 1.00  
1N4318 1A 5V 1.00  
1N4319 1A 5V 1.00  
1N4320 1A 5V 1.00  
1N4321 1A 5V 1.00  
1N4322 1A 5V 1.00  
1N4323 1A 5V 1.00  
1N4324 1A 5V 1.00  
1N4325 1A 5V 1.00  
1N4326 1A 5V 1.00  
1N4327 1A 5V 1.00  
1N4328 1A 5V 1.00  
1N4329 1A 5V 1.00  
1N4330 1A 5V 1.00  
1N4331 1A 5V 1.00  
1N4332 1A 5V 1.00  
1N4333 1A 5V 1.00  
1N4334 1A 5V 1.00  
1N4335 1A 5V 1.00  
1N4336 1A 5V 1.00  
1N4337 1A 5V 1.00  
1N4338 1A 5V 1.00  
1N4339 1A 5V 1.00  
1N4340 1A 5V 1.00  
1N4341 1A 5V 1.00  
1N4342 1A 5V 1.00  
1N4343 1A 5V 1.00  
1N4344 1A 5V 1.00  
1N4345 1A 5V 1.00  
1N4346 1A 5V 1.00  
1N4347 1A 5V 1.00  
1N4348 1A 5V 1.00  
1N4349 1A 5V 1.00  
1N4350 1A 5V 1.00  
1N4351 1A 5V 1.00  
1N4352 1A 5V 1.00  
1N4353 1A 5V 1.00  
1N4354 1A 5V 1.00  
1N4355 1A 5V 1.00  
1N4356 1A 5V 1.00  
1N4357 1A 5V 1.00  
1N4358 1A 5V 1.00  
1N4359 1A 5V 1.00  
1N4360 1A 5V 1.00  
1N4361 1A 5V 1.00  
1N4362 1A 5V 1.00  
1N4363 1A 5V 1.00  
1N4364 1A 5V 1.00  
1N4365 1A 5V 1.00  
1N4366 1A 5V 1.00  
1N4367 1A 5V 1.00  
1N4368 1A 5V 1.00  
1N4369 1A 5V 1.00  
1N4370 1A 5V 1.00  
1N4371 1A 5V 1.00  
1N4372 1A 5V 1.00  
1N4373 1A 5V 1.00  
1N4374 1A 5V 1.00  
1N4375 1A 5V 1.00  
1N4376 1A 5V 1.00  
1N4377 1A 5V 1.00  
1N4378 1A 5V 1.00  
1N4379 1A 5V 1.00  
1N4380 1A 5V 1.00  
1N4381 1A 5V 1.00  
1N4382 1A 5V 1.00  
1N4383 1A 5V 1.00  
1N4384 1A 5V 1.00  
1N4385 1A 5V 1.00  
1N4386 1A 5V 1.00  
1N4387 1A 5V 1.00  
1N4388 1A 5V 1.00  
1N4389 1A 5V 1.00  
1N4390 1A 5V 1.00  
1N4391 1A 5V 1.00  
1N4392 1A 5V 1.00  
1N4393 1A 5V 1.00  
1N4394 1A 5V 1.00  
1N4395 1A 5V 1.00  
1N4396 1A 5V 1.00  
1N4397 1A 5V 1.00  
1N4398 1A 5V 1.00  
1N4399 1A 5V 1.00  
1N4400 1A 5V 1.00  
1N4401 1A 5V 1.00  
1N4402 1A 5V 1.00  
1N4403 1A 5V 1.00  
1N4404 1A 5V 1.00  
1N4405 1A 5V 1.00  
1N4406 1A 5V 1.00  
1N4407 1A 5V 1.00  
1N4408 1A 5V 1.00  
1N4409 1A 5V 1.00  
1N4410 1A 5V 1.00  
1N4411 1A 5V 1.00  
1N4412 1A 5V 1.00  
1N4413 1A 5V 1.00  
1N4414 1A 5V 1.00  
1N4415 1A 5V 1.00  
1N4416 1A 5V 1.00  
1N4417 1A 5V 1.00  
1N4418 1A 5V 1.00  
1N4419 1A 5V 1.00  
1N4420 1A 5V 1.00  
1N4421 1A 5V 1.00  
1N4422 1A 5V 1.00  
1N4423 1A 5V 1.00  
1N4424 1A 5V 1.00  
1N4425 1A 5V 1.00  
1N4426 1A 5V 1.00  
1N4427 1A 5V 1.00  
1N4428 1A 5V 1.00  
1N4429 1A 5V 1.00  
1N4430 1A 5V 1.00  
1N4431 1A 5V 1.00  
1N4432 1A 5V 1.00  
1N4433 1A 5V 1.00  
1N4434 1A 5V 1.00  
1N4435 1A 5V 1.00  
1N4436 1A 5V 1.00  
1N4437 1A 5V 1.00  
1N4438 1A 5V 1.00  
1N4439 1A 5V 1.00  
1N4440 1A 5V 1.00  
1N4441 1A 5V 1.00  
1N4442 1A 5V 1.00  
1N4443 1A 5V 1.00  
1N4444 1A 5V 1.00  
1N4445 1A 5V 1.00  
1N4446 1A 5V 1.00  
1N4447 1A 5V 1.00  
1N4448 1A 5V 1.00  
1N4449 1A 5V 1.00  
1N4450 1A 5V 1.00  
1N4451 1A 5V 1.00  
1N4452 1A 5V 1.00  
1N4453 1A 5V 1.00  
1N4454 1A 5V 1.00  
1N4455 1A 5V 1.00  
1N4456 1A 5V 1.00  
1N4457 1A 5V 1.00  
1N4458 1A 5V 1.00  
1N4459 1A 5V 1.00  
1N4460 1A 5V 1.00  
1N4461 1A 5V 1.00  
1N4462 1A 5V 1.00  
1N4463 1A 5V 1.00  
1N4464 1A 5V 1.00  
1N4465 1A 5V 1.00  
1N4466 1A 5V 1.00  
1N4467 1A 5V 1.00  
1N4468 1A 5V 1.00  
1N4469 1A 5V 1.00  
1N4470 1A 5V 1.00  
1N4471 1A 5V 1.00  
1N4472 1A 5V 1.00  
1N4473 1A 5V 1.00  
1N4474 1A 5V 1.00  
1N4475 1A 5V 1.00  
1N4476 1A 5V 1.00  
1N4477 1A 5V 1.00  
1N4478 1A 5V 1.00  
1N4479 1A 5V 1.00  
1N4480 1A 5V 1.00  
1N4481 1A 5V 1.00  
1N4482 1A 5V 1.00  
1N4483 1A 5V 1.00  
1N4484 1A 5V 1.00  
1N4485 1A 5V 1.00  
1N4486 1A 5V 1.00  
1N4487 1A 5V 1.00  
1N4488 1A 5V 1.00  
1N4489 1A 5V 1.00  
1N4490 1A 5V 1.00  
1N4491 1A 5V 1.00  
1N4492 1A 5V 1.00  
1N4493 1A 5V 1.00  
1N4494 1A 5V 1.00  
1N4495 1A 5V 1.00  
1N4496 1A 5V 1.00  
1N4497 1A 5V 1.00  
1N4498 1A 5V 1.00  
1N4499 1A 5V 1.00  
1N4500 1A 5V 1.00  
1N4501 1A 5V 1.00  
1N4502 1A 5V 1.00  
1N4503 1A 5V 1.00  
1N4504 1A 5V 1.00  
1N4505 1A 5V 1.00  
1N4506 1A 5V 1.00  
1N4507 1A 5V 1.00  
1N4508 1A 5V 1.00  
1N4509 1A 5V 1.00  
1N4510 1A 5V 1.00  
1N4511 1A 5V 1.00  
1N4512 1A 5V 1.00  
1N4513 1A 5V 1.00  
1N4514 1A 5V 1.00  
1N4515 1A 5V 1.00  
1N4516 1A 5V 1.00  
1N4517 1A 5V 1.00  
1N4518 1A 5V 1.00  
1N4519 1A 5V 1.00  
1N4520 1A 5V 1.00  
1N4521 1A 5V 1.00  
1N4522 1A 5V 1.00  
1N4523 1A 5V 1.00  
1N4524 1A 5V 1.00  
1N4525 1A 5V 1.00  
1N4526 1A 5V 1.00  
1N4527 1A 5V 1.00  
1N4528 1A 5V 1.00  
1N4529 1A 5V 1.00  
1N4530 1A 5V 1.00  
1N4531 1A 5V 1.00  
1N4532 1A 5V 1.00  
1N4533 1A 5V 1.00  
1N4534 1A 5V 1.00  
1N4535 1A 5V 1.00  
1N4536 1A 5V 1.00  
1N4537 1A 5V 1.00  
1N4538 1A 5V 1.00  
1N4539 1A 5V 1.00  
1N4540 1A 5V 1.00  
1N4541 1A 5V 1.00  
1N4542 1A 5V 1.00  
1N4543 1A 5V 1.00  
1N4544 1A 5V 1.00  
1N4545 1A 5V 1.00  
1N4546 1A 5V 1.00  
1N4547 1A 5V 1.00  
1N4548 1A 5V 1.00  
1N4549 1A 5V 1.00  
1N4550 1A 5V 1.00  
1N4551 1A 5V 1.00  
1N4552 1A 5V 1.00  
1N4553 1A 5V 1.00  
1N4554 1A 5V 1.00  
1N4555 1A 5V 1.00  
1N4556 1A 5V 1.00  
1N4557 1A 5V 1.00  
1N4558 1A 5V 1.00  
1N4559 1A 5V 1.00  
1N4560 1A 5V 1.00  
1N4561 1A 5V 1.00  
1N4562 1A 5V 1.00  
1N4563 1A 5V 1.00  
1N4564 1A 5V 1.00  
1N4565 1A 5V 1.00  
1N4566 1A 5V 1.00  
1N4567 1A 5V 1.00  
1N4568 1A 5V 1.00  
1N4569 1A 5V 1.00  
1N4570 1A 5V 1.00  
1N4571 1A 5V 1.00  
1N4572 1A 5V 1.00  
1N4573 1A 5V 1.00  
1N4574 1A 5V 1.00  
1N4575 1A 5V 1.00  
1N4576 1A 5V 1.00  
1N4577 1A 5V 1.00  
1N4578 1A 5V 1.00  
1N4579 1A 5V 1.00  
1N4580 1A 5V 1.00  
1N4581 1A 5V 1.00  
1N4582 1A 5V 1.00  
1N4583 1A 5V 1.00  
1N4584 1A 5V 1.00  
1N4585 1A 5V 1.00  
1N4586 1A 5V 1.00  
1N4587 1A 5V 1.00  
1N4588 1A 5V 1.00  
1N4589 1A 5V 1.00  
1N4590 1A 5V 1.00  
1N4591 1A 5V 1.00  
1N4592 1A 5V 1.00  
1N4593 1A 5V 1.00  
1N4594 1A 5V 1.00  
1N4595 1A 5V 1.00  
1N4596 1A 5V 1.00  
1N4597 1A 5V 1.00  
1N4598 1A 5V 1.00  
1N4599 1A 5V 1.00  
1N4600

# SST T-1 RANDOM WIRE ANTENNA TUNER



All band operation (160-10 meters) with any random length of wire. 200 watt output power capability—will work with virtually any transceiver. Ideal for portable or home operation. Great for apartments and hotel rooms—simply run a wire inside, out a window, or anyplace available. Efficient toroid inductor for small size: 4-1/4" x 2-3/8" x 3", and negligible loss. Built-in neon tune-up indicator. SO-239 connector. Attractive bronze finished enclosure.

only **\$29.95**

The Original Random Wire Antenna Tuner  
... in use by amateurs for 7 years.

## SST T-2 ULTRA TUNER

Tunes out SWR on any coax fed antenna as well as random wires. Works great on all bands (80-10 meters) with any transceiver running up to 200 watts power output.

Increases usable bandwidth of any antenna. Tunes out SWR on mobile whips from inside your car.

Uses efficient tapped inductor and specially made capacitors for small size: 5-1/4" x 2-1/4" x 2-1/2". Rugged, yet compact. Negligible line loss. Attractive bronze finished enclosure. SO-239 coax connectors are used for transmitter input and coax fed antennas. Convenient binding posts are provided for random wire and ground connections.



only **\$39.95**



only **\$19.95**

## SST T-3

### Mobile Impedance Transformer

Matches 52 ohm coax to the lower impedance of a mobile whip or vertical. 12-position switch with taps spread between 3 and 52 ohms. Broadband from 1-30 Mhz. Will work with virtually any transceiver—300 watt output power capability. SO-239 connectors. Toroid inductor for small size: 2-3/4" x 2" x 2-1/4". Attractive bronze finish.

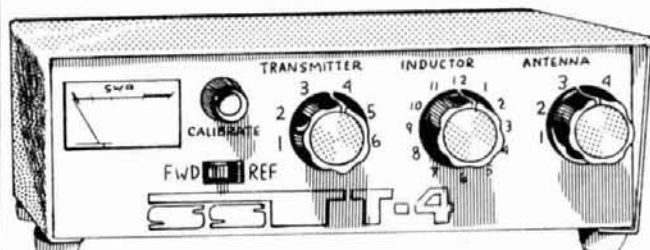


**GUARANTEE**



All SST products are guaranteed for 1 year. In addition, they may be returned within 10 days for a full refund (less shipping) if you are not satisfied for any reason. Please add \$2 for shipping and handling. Calif. residents, please add sales tax. COD orders OK by phone.

## SST T-4 ULTRA TUNER DELUXE



Matches any coax fed antenna or random wire. Works with any transceiver. Great for mobile, portable, or home operation. Antenna switch selects between two coax fed antennas, random wire, or tuner bypass. Attractive bronze finished enclosure with exclusive SST Styling. Compact size: 9" x 2-1/2" x 5".

### Features:

- 300 watts **output** capability.
- All bands—1.8-30 MHz.
- SWR meter built in.
- Antenna switch on back panel.
- Efficient tapped inductor.
- 208 pf 1000 v. capacitors for flexible, reliable operation.

**NEW**

only **\$69.95**

Available now from your SST dealer or order direct by mail or phone.



**ELECTRONICS**

P.O. BOX 1 LAWDALE, CALIF.  
90260 (213) 376-5887

# PUNCH UP



Your  
**Most Called Numbers**  
with a  
**Single Key Punch!**

Now you can dial up to 18 complete 7 or 8-digit phone numbers by punching only one (or two) keys on your pad. The AD-1 Auto Dialer's 10 number capacity RAM can be completely programmed from its own pad in less than a minute. The optional field - installable factory-programmed PROM adds 8 more numbers for \$4.95. The AD-1 is ideal for mobile autopatches, home or business use. It features a unique MOS microprocessor which permits both tone duration and spacing to be programmed along with the numbers, adding versatility for repeater or similar control functions. Its crystal controlled tone generator assures high stability over a wide temperature range. The AD-1 is fully automatic and foolproof in operation. Coil cord provides convenient connection to your rig. Suggested Amateur net price \$129.95. A PROM order card is packed with each AD-1.

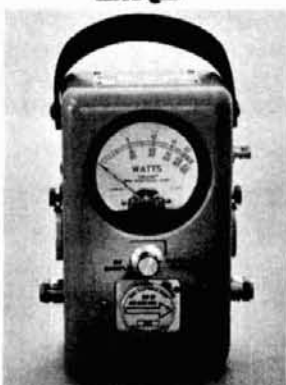
The AD-1 Auto Dialer is available at the finest amateur radio dealers and distributors everywhere.



Advanced Electronic Applications, Inc. P.O. Box 2160, Lynnwood, Washington 98036

**THIS IS IT**

**RF**



MODEL 4431 THRULINE®

**RF DIRECTIONAL WATTMETER**  
with VARIABLE RF  
SIGNAL SAMPLER - BUILT IN  
IN STOCK FOR PROMPT DELIVERY

AUTHORIZED DISTRIBUTOR

**Webster**  
associates

115 BELLARMINE  
ROCHESTER, MI 48063

CALL TOLL FREE  
800 - 521-2333

IN MICHIGAN 313 - 375-0420

## TPL 1/4 KILOWATT LINEAR AMPLIFIER

TPL proudly presents the first true power 1/4KW SSB/AM, FM or CW solid state 2 meter linear amplifier. A remote control plug allows you to operate with the amplifier ON or OFF, or in SSB/AM, FM or CW from the dashboard.



The 2002 utilizes the latest state of the art engineering including micro-strip circuitry and modular construction. The three final transistors combine to produce 250W when driven by 15W or more at 13.8VDC.

**POWER INPUT:**  
5-20W Carrier FM or CW  
20W PEP maximum SSB or AM

**HARMONIC ATTENUATION:**  
All Harmonics Attenuated  
60 dB or Greater

**POWER OUTPUT:**  
200-250W carrier FM or CW  
300W PEP SSB or AM

**CURRENT DRAIN:**  
FM-40 Amps @ 250W  
SSB-30 Amps @ 300W PEP

**FREQUENCY RANGE:**  
144 to 148 MHz\*  
\* will operate with slight degradation at 142-150 MHz.

**DUTY CYCLE:**  
FM 50% @ 150W 33% @ 250W  
SSB 60% @ 150W 50% @ 250W

Model 2002 \$479.00

can be ordered for repeater application  
for additional information contact

**TPL COMMUNICATIONS INC.**

1324 W. 135TH ST., GARDENA, CA 90247 (213) 538-9814

Canada: Lenbrook Industries, Ltd., 1145 Bellamy Rd., Scarborough, Ontario M1H 1H5  
Export: EMEC Inc., 2350 South 30th Avenue, Hallandale, Florida 33009

January 27-28, 1979



## ARRL Convention & 19th Annual TROPICAL HAMBOREE

FLAGLER DOG TRACK  
(17th AVE. at N.W. 30th ST.)  
Miami, Florida



Pre-Registration  
**\$3.00**

FREE PARKING  
INCLUDING OVERNIGHT SPACE FOR  
COMPLETELY SELF-CONTAINED RV'S

P.O. Box 350045, Riverside Sta.  
Miami, Fla. 33135

DIODES/ZENERS				SOCKETS/BRIDGES				TRANSISTORS, LEDES, etc.				
1N914	100v	10mA	.05	8-pin	pcb	.20	ww	.35	2N2222	NPN	(2N2222 Plastic .10)	.15
1N4005	600v	1A	.08	14-pin	pcb	.20	ww	.40	2N2907	PNP		.15
1N4007	1000v	1A	.15	16-pin	pcb	.20	ww	.40	2N3906	PNP	(Plastic - Unmarked)	.10
1N4148	75v	10mA	.05	18-pin	pcb	.25	ww	.75	2N3904	NPN	(Plastic - Unmarked)	.10
1N4733	5.1v	1 W Zener	.25	22-pin	pcb	.35	ww	.95	2N3054	NPN		.35
1N753A	6.2v	500 mW Zener	.25	24-pin	pcb	.35	ww	.95	2N3055	NPN	15A 60v	.50
1N758A	10v	"	.25	28-pin	pcb	.45	ww	1.25	T1P125	PNP	Darlington	.95
1N759A	12v	"	.25	40-pin	pcb	.50	ww	1.25	LED Green, Red, Clear, Yellow			.15
1N5243	13v	"	.25	Molex pins	.01	To-3 Sockets	.25	D.L.747	7 seg 5/8" High com-anode		1.95	
1N5244B	14v	"	.25	2 Amp Bridge		100-prv	.95	MAN72	7 seg com-anode (Red)		1.25	
1N5245B	15v	"	.25	25 Amp Bridge		200-prv	1.95	MAN3610	7 seg com-anode (Orange)		1.25	
								MAN82A	7 seg com-anode (Yellow)		1.25	
								MAN74A	7 seg com-cathode (Red)		1.50	
								FND359	7 seg com-cathode (Red)		1.25	

C MOS				- T T L -							
4000	.15	7400	.10	7473	.25	74176	.85	74H72	.35	74S133	.40
4001	.15	7401	.15	7474	.30	74180	.55	74H101	.75	74S140	.55
4002	.20	7402	.15	7475	.35	74181	2.25	74H103	.55	74S151	.30
4004	3.95	7403	.15	7476	.40	74182	.75	74H106	.95	74S153	.35
4006	.95	7404	.10	7480	.55	74190	1.25			74S157	.75
4007	.20	7405	.25	7481	.75	74191	.95	74L00	.25	74S158	.30
4008	.75	7406	.25	7483	.75	74192	.75	74L02	.20	74S194	1.05
4009	.35	7407	.55	7485	.55	74193	.85	74L03	.25	74S257 (8123)	1.05
4010	.35	7408	.15	7486	.25	74194	.95	74L04	.30		
4011	.20	7409	.15	7489	1.05	74195	.95	74L10	.20	74LS00	.20
4012	.20	7410	.15	7490	.45	74196	.95	74L20	.35	74LS01	.20
4013	.40	7411	.25	7491	.70	74197	.95	74L30	.45	74LS02	.20
4014	.75	7412	.25	7492	.45	74198	1.45	74L47	1.95	74LS04	.20
4015	.75	7413	.25	7493	.35	74221	1.00	74L51	.45	74LS05	.25
4016	.35	7414	.75	7494	.75	74367	.75	74L55	.65	74LS08	.25
4017	.75	7416	.25	7495	.60			74L72	.45	74LS09	.25
4018	.75	7417	.40	7496	.80	75108A	.35	74L73	.40	74LS10	.25
4019	.35	7420	.15	74100	1.15	75491	.50	74L74	.45	74LS11	.25
4020	.85	7426	.25	74107	.25	75492	.50	74L75	.55	74LS20	.20
4021	.75	7427	.25	74121	.35			74L93	.55	74LS21	.25
4022	.75	7430	.15	74122	.55			74L123	.85	74LS22	.25
4023	.20	7432	.20	74123	.35	74H00	.15			74LS32	.25
4024	.75	7437	.20	74125	.45	74H01	.20	74S00	.35	74LS37	.25
4025	.20	7438	.20	74126	.35	74H04	.20	74S02	.35	74LS38	.35
4026	1.95	7440	.20	74132	.75	74H05	.20	74S03	.25	74LS40	.30
4027	.35	7441	1.15	74141	.90	74H08	.35	74S04	.25	74LS42	.65
4028	.75	7442	.45	74150	.85	74H10	.35	74S05	.35	74LS45	.65
4030	.35	7443	.45	74151	.65	74H11	.25	74S08	.35	74LS51	.35
4033	1.50	7444	.45	74153	.75	74H15	.45	74S10	.35	74LS74	.35
4034	2.45	7445	.65	74154	.95	74H20	.25	74S11	.35	74LS86	.35
4035	.75	7446	.70	74156	.70	74H21	.25	74S20	.25	74LS90	.55
4040	.75	7447	.70	74157	.65	74H22	.40	74S40	.20	74LS93	.55
4041	.69	7448	.50	74161	.55	74H30	.20	74S50	.20	74LS107	.40
4042	.65	7450	.25	74163	.85	74H40	.25	74S51	.25	74LS123	1.00
4043	.50	7451	.25	74164	.60	74H50	.25	74S64	.15	74LS151	.75
4044	.65	7453	.20	74165	1.10	74H51	.25	74S74	.35	74LS153	.75
4046	1.25	7454	.25	74166	1.25	74H52	.15	74S112	.60	74LS157	.75
4049	.45	7460	.40	74175	.80	74H53J	.25	74S114	.65	74LS164	1.00
4050	.45	7470	.45			74H55	.20			74LS193	.95
4066	.55	7472	.40							74LS367	.75
										74LS368	.65

4069/74 C04	.25	MCT2	.95	LINEARS, REGULATORS, etc.					
4071	.25	8038	3.95	LM320T5	1.65	LM340K15	1.25	LM723	.40
4081	.30	LM201	.75	LM320T12	1.65	LM340K18	1.25	LM725N	2.50
4082	.30	LM301	.45	LM320T15	1.65	LM340K24	1.25	LM739	1.50
MC 14409	14.50	LM308 (Mini)	.95	LM324N	1.25	78L05	.75	LM741 (8-14)	.25
MC 14419	4.85	LM309H	.65	LM339	.75	78L12	.75	LM747	1.10
4511	.95	LM309K (340K-5)	.85	7805 (340T5)	.95	78L15	.75	LM1307	1.25
74C151	1.90	LM310	.85	LM340T12	.95	78M05	.75	LM1458	.65
		LM311D (Mini)	.75	LM340T15	.95	LM373	2.95	LM3900	.50
		LM318 (Mini)	1.75	LM340T18	.95	LM380 (8-14 PIN)	.95	LM75451	.65
		LM320K5 (7905)	1.65	LM340T24	.95	LM709 (8, 14 PIN)	.25	NE555	.35
		LM320K12	1.65	LM340K12	1.25	LM711	.45	NE556	.85
								NE565	.95
								NE566	1.25
								NE567	.95

9000 SERIES			
9301	.85	95H03	1.10
9309	.35	9601	.20
9322	.65	9602	.45

MICRO'S, RAMS, CPU'S, E-PROMS			
74S188	3.00	8214	8.95
1702A	4.50	8224	3.25
MM5314	3.00	8228	6.00
MM5316	3.50	8251	8.50
2102-1	1.45	8255	8.50
2102L-1	1.75	8T13	1.50
2114	9.50	8T23	1.50
TR1602B	3.95	8T24	2.00
TMS 4044	9.95	8T97	1.00
		2107B-4	4.95
		2708	9.50
8080	8.95	Z80 PIO	8.50
8212	2.95		

## INTEGRATED CIRCUITS UNLIMITED

7889 Clairemont Mesa Boulevard, San Diego, California 92111  
(714) 278-4394 (Calif. Res.)

All orders shipped prepaid      No minimum  
Open accounts invited      COD orders accepted

Discounts available at OEM Quantities      California Residents add 6% Sales Tax  
All IC's Prime/Guaranteed. All orders shipped same day received.

24 Hour Toll Free Phone 1-800-854-2211      American Express / BankAmericard / Visa / MasterCard

### SPECIAL DISCOUNTS

Total Order	Deduct
\$35 - \$99	10%
\$100 - \$300	15%
\$301 - \$1000	20%

# IC Keyer

The World's Greatest  
Sending Device



Adjustable to  
Any Desired Speed

Now available from Palomar Engineers — the new Electronic IC KEYER. Highly prized by professional operators because it is **EASIER, QUICKER, and MORE ACCURATE.**

It transmits with amazing ease CLEAR, CLEAN-CUT signals at any desired speed. Saves the arm. Prevents cramp, and enables anyone to send with the skill of an expert.

**SPECIAL  
RADIO MODEL**

Equipped with large specially constructed contact points. Keys any amateur transmitter with ease. Sends Manual, Semi-Automatic, Fully Automatic, Dot Memory, Dash Memory, Squeeze, and Iambic — **MORE FEATURES** than any other keyer. Has built-in sidetone, speaker, speed and volume controls, **BATTERY OPERATED**, heavy shielded die-cast metal case. Fully **ADJUSTABLE CONTACT SPACING AND PADDLE TENSION**. The perfect paddle touch will **AMAZE** you.

Every amateur and licensed operator should know how to send with the IC KEYER. **EASY TO LEARN.** Sent anywhere on receipt of price. Free brochure sent on request.

Send check or money order. **IC KEYER \$97.50** in U.S. and Canada. Add \$3.00 shipping/handling. Add sales tax in California.

Fully guaranteed by the world's oldest manufacturer of electronic keys.

**ORDER YOURS NOW!**

## Palomar Engineers

Box 455, Escondido, CA. 92025  
Phone: [714] 747-3343

## ERICKSON'S MOVED!

Come in and see our new, bigger, and better store. Just a few blocks south of our old location.

**YOU'LL FIND** the best from

- AEA • Ameco • ASP • Atlas
- Belden • Bencher • Bird
- CDE • CIR • CES • Cushcraft
- DenTron • Drake • Hy-Gain
- Icom • KLM • Kenwood
- Larsen • MFJ • Midland
- Mosley • NPC • Newtronics
- Nye • Palomar • Regency
- Shure • Swan • Standard
- Tempo • Ten-Tec • Tonna
- Transcom • Wilson • Yaesu

**NEAR CHICAGO?**

**COME IN AND SEE US!**



**Tim WB8SBL and Mike WN9ANF  
serving you!**



Hours:

9:30-9:00 Mon. & Thurs.

9:30-5:30 Tues., Wed. and Fri.

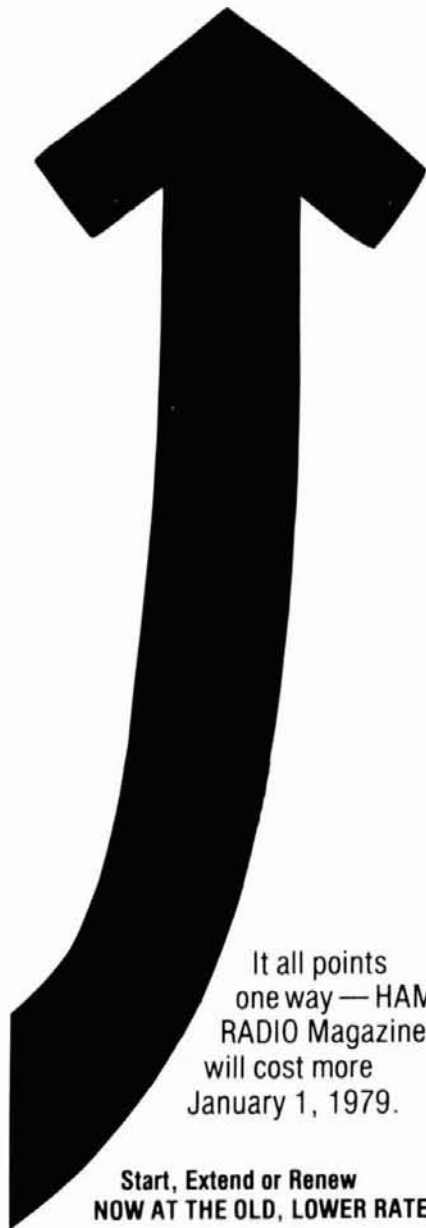
9:00-3:00 Saturday



Call our new toll-free numbers for the Erickson price.  
Illinois, outside 312: (800) 972-5841  
Outside Illinois: (800) 621-5802

**ERICKSON**  
COMMUNICATIONS, INC.  
5456 N. MILWAUKEE AVE.  
CHICAGO, IL 60630 (312) 631-5181

**Paper costs up,  
Printing costs up,  
Postage costs up,  
Up, Up, Up . . .**



It all points  
one way — HAM  
RADIO Magazine  
will cost more  
January 1, 1979.

**Start, Extend or Renew  
NOW AT THE OLD, LOWER RATES**

- 1 year . . . . . Just \$12.00**  
(\$15 after January 1)
- 2 years . . . . . Just \$22.00**  
(\$26 after January 1)
- 3 years . . . . . Just \$30.00**  
(\$35 after January 1)

(use the handy card included in this issue or complete below)

New     Extension     Renewal

For payment enclose check, money order or charge card information (acct. #, expire date, bank # for Master Charge)

Name \_\_\_\_\_ Call \_\_\_\_\_  
Address \_\_\_\_\_  
City \_\_\_\_\_ State \_\_\_\_\_ Zip \_\_\_\_\_





*Ham Radio's guide to help you find your local*

### *Alabama*

#### **LONG'S ELECTRONICS**

2808 7TH AVENUE SOUTH  
BIRMINGHAM, AL 35202  
800-633-3410

Call us Toll Free to place your order

### *Alaska*

#### **RELIABLE ELECTRONICS**

3306 COPE STREET  
ANCHORAGE, AK 99503  
907-279-5100

Kenwood, Yaesu, DenTron, Wilson,  
Atlas, ICOM, Rohn, Tri-Ex.

### *Arizona*

#### **HAM SHACK**

4506 A NORTH 16TH STREET  
PHOENIX, AZ 85016  
602-279-HAMS

Serving all amateurs from  
beginner to expert.

#### **KRYDER ELECTRONICS**

5520 NORTH 7TH AVENUE  
NORTH 7TH AVE. SHOPPING CTR.  
PHOENIX, AZ 85013  
602-249-3739

Your Complete Amateur Radio Store.

#### **POWER COMMUNICATIONS**

6012 NORTH 27th AVE.  
PHOENIX, AZ 85017  
602-242-6030

Arizona's #1 Ham Store.  
Kenwood, Drake, ICOM & more.

#### **QSA 599 AMATEUR RADIO CENTER**

11 SOUTH MORRIS STREET  
MESA, AZ 85202  
602-833-8051

Eimac Distributor. New & Used  
Equipment, Parts - Surplus too!

### *California*

#### **C & A ELECTRONIC ENTERPRISES**

22010 S. WILMINGTON AVE.  
SUITE 105

P. O. BOX 5232  
CARSON, CA 90745  
213-834-5868

Not the Biggest, but the Best —  
since 1962.

#### **HAM RADIO OUTLET**

999 HOWARD AVENUE  
BURLINGAME, CA 94010  
415-342-5757

Visit our stores in Van Nuys  
and Anaheim.

#### **QUEMENT ELECTRONICS**

1000 SO. BASCOM AVENUE  
SAN JOSE, CA 95128  
408-998-5900

Serving the world's Radio Amateurs  
since 1933.

#### **SHAVER RADIO**

3550 LOCHINVAR AVE.  
SANTA CLARA, CA 95051  
408-247-4220

Atlas, Kenwood, Yaesu, KDK,  
Icom, Tempo, Wilson, Ten-Tec.

#### **TOWER ELECTRONICS CORP.**

24001 ALICIA PARKWAY  
MISSION VIEJO, CA 92675  
714-768-8900

Authorized Yaesu Sales & Service.  
Mail orders welcome.

### *Colorado*

#### **MILE-HI COMMUNICATIONS, INC.**

1970 SOUTH NAVAJO  
DENVER, CO 80223  
303-936-7108

Rocky Mountain's newest  
ham store. Lee Tingle KØLT.

### *Connecticut*

#### **AUDIOTRONICS INC.**

18 ISAAC STREET  
NORWALK, CT 06850  
203-838-4877

The Northeast's fastest growing  
Ham Dept. dedicated to service.

### *Florida*

#### **AGL ELECTRONICS, INC.**

1800-B DREW ST.  
CLEARWATER, FL 33515  
813-461-HAMS

West Coast's only full service  
Amateur Radio Store.

#### **AMATEUR RADIO CENTER, INC.**

2805 N.E. 2ND AVENUE  
MIAMI, FL 33137  
305-573-8383

The place for great dependable  
names in Ham Radio.

#### **MARC'S**

**CENTRAL EQUIPMENT CO., INC.**  
18451 W. DIXIE HIGHWAY  
NORTH MIAMI BEACH, FL 33160  
305-932-1818

See Marc, WD4AAS, for complete  
Amateur Sales & Service.

#### **RAY'S AMATEUR RADIO**

1590 US HIGHWAY 19 SO.  
CLEARWATER, FL 33516  
813-535-1416

West coast's only dealer:  
Drake, Icom, Cushcraft, Hustler.

### *Illinois*

#### **AUREUS ELECTRONICS, INC.**

1415 N. EAGLE STREET  
NAPERVILLE, IL 60540  
312-420-8629

"Amateur Excellence"

#### **ERICKSON COMMUNICATIONS, INC.**

5456 N. MILWAUKEE AVE.  
CHICAGO, IL 60630  
312-631-5181

Hours: 9:30-9:00 Mon. & Thurs.;  
9:30-5:30 Tu, Wed, Fri; 9:00-3:00 Sat.

#### **SPECTRONICS, INC.**

1009 GARFIELD STREET  
OAK PARK, IL 60304  
312-848-6777

Chicagoland's Amateur Radio  
leader.

### *Indiana*

#### **HOOSIER ELECTRONICS, INC.**

P. O. BOX 2001  
TERRE HAUTE, IN 47802  
812-238-1456

Ham Headquarters of the Midwest.  
Store in Meadows Shopping Center.

#### **KRYDER ELECTRONICS**

GEORGETOWN NORTH  
SHOPPING CENTER  
2810 MAPLECREST RD.  
FORT WAYNE, IN 46815  
219-484-4946

Your Complete Amateur Radio Store.  
10-9 T, TH, F; 10-5 W, SAT.

### *Iowa*

#### **BOB SMITH ELECTRONICS**

RFD #3, HIGHWAY 169 and 7  
FT. DODGE, IA 50501  
515-576-3886  
For an EZ deal.

### *Kansas*

#### **ASSOCIATED RADIO**

8012 CONSER P. O. B. 4327  
OVERLAND PARK, KS 66204  
913-381-5901

Amateur Radio's Top Dealer.  
Buy — Sell — Trade

**Dealers:** *YOU SHOULD BE HERE TOO!*  
*Contact Ham Radio now for complete details.*



# Amateur Radio Dealer

## Kentucky

**COHOON AMATEUR SUPPLY**  
HIGHWAY 475  
TRENTON, KY 42286  
502-886-4535  
Yaesu, Ten-Tec, Tempo, DenTron.  
Our service is the BEST.

## Maryland

**THE COMM CENTER, INC.**  
9624 FT. MEADE ROAD  
LAUREL PLAZA RT. 198  
LAUREL, MD 20810  
301-792-0600  
R.L. Drake, Ten-Tec, Icom, Wilson,  
Tempo, DenTron, Mosley, Cushcraft

**PROFESSIONAL  
ELECTRONICS CO., INC.**  
1710 JOAN AVENUE  
BALTIMORE, MD 21234  
301-661-2123  
A professional place for amateurs.  
Service-sales-design.

## Massachusetts

**TEL-COM, INC.**  
675 GREAT RD. RT. 119  
LITTLETON, MA 01460  
617-486-3040  
The Ham Store of New England  
you can rely on.

**TUFTS RADIO ELECTRONICS**  
209 MYSTIC AVENUE  
MEDFORD, MA 02155  
617-395-8280  
New England's friendliest  
ham store.

## Michigan

**ELECTRONIC DISTRIBUTORS**  
1960 PECK STREET  
MUSKEGON, MI 49441  
616-726-3196  
Dealer for all major amateur  
radio product lines.

**RADIO SUPPLY & ENGINEERING**  
1207 WEST 14 MILE ROAD  
CLAWSON, MI 48017  
313-435-5660  
10001 Chalmers, Detroit, MI  
48213, 313-371-9050.

## Minnesota

**PAL ELECTRONICS INC.**  
3452 FREMONT AVE. NORTH  
MINNEAPOLIS, MN 55412  
612-521-4662  
The Midwest's Fastest Growing  
Ham Dealer.

## Missouri

**HAM RADIO CENTER, INC.**  
8340-42 OLIVE BLVD.  
ST. LOUIS, MO 63132  
800-325-3636  
For Best Price and Fast Delivery  
Call toll free 1-800-325-3636

**MIDCOM ELECTRONICS, INC.**  
2506 SO. BRENTWOOD BLVD.  
ST. LOUIS, MO 63144  
314-961-9990  
At Midcom you can try before you  
buy!

## Nebraska

**COMMUNICATIONS CENTER, INC.**  
443 NORTH 48 ST.  
LINCOLN, NE 68504  
800-228-4097  
Kenwood, Yaesu, Drake and more  
at discount prices.

## Nevada

**COMMUNICATIONS CENTER WEST**  
1072 RANCHO DRIVE  
LAS VEGAS, NV 89106  
800-634-6227  
Kenwood, Yaesu, Drake and more  
at discount prices.

## New Hampshire

**EVANS RADIO, INC.**  
BOX 893, RT. 3A BOW JUNCTION  
CONCORD, NH 03301  
603-224-9961  
Icom, DenTron & Yaesu dealer.  
We service what we sell.

## New Jersey

**ATKINSON & SMITH, INC.**  
17 LEWIS ST.  
EATONTOWN, NJ 07724  
201-542-2447  
Ham supplies since "55".

**METUCHEN RADIO**  
216 MAIN STREET  
METUCHEN, NJ 08840  
201-494-8350  
New and Used Ham Equipment  
WA2AET "T" Bruno

**RADIOS UNLIMITED**  
1760 EASTON AVENUE  
SOMERSET, NJ 08873  
201-469-4599  
New Jersey's newest  
complete Amateur Radio center

**THE BARGAIN BROTHERS**  
216 SCOTCH ROAD  
GLEN ROC SHOPPING CTR.  
WEST TRENTON, NJ 06828  
609-883-2050  
A million parts - lowest prices  
anywhere. Call us!

## New Mexico

**ELECTRONIC MODULE**  
601 N. TURNER  
HOBBS, NM 88240  
505-397-3012  
Yaesu, Kenwood, Swan, DenTron,  
Tempo, Atlas, Wilson, Cushcraft

## New York

**ADIRONDACK RADIO SUPPLY, INC.**  
185 W. MAIN STREET  
AMSTERDAM, NY 12010  
518-842-8350  
Yaesu dealer for the Northeast.

**AM-COM ELECTRONICS INC.**  
RT. 5  
NORTH UTICA SHOPPING CTR.  
UTICA, NY 13502  
315-732-3656  
The Mohawk Valley's Newest &  
Largest Electronics Supermarket.

**GRAND CENTRAL RADIO**  
124 EAST 44 STREET  
NEW YORK, NY 10017  
212-682-3869  
Drake, Atlas, Ten-Tec, Midland,  
Hy-Gain, Mosley in stock

**HAM-BONE RADIO**  
3206 ERIE BLVD. EAST  
SYRACUSE, NY 13214  
315-446-2266  
We deal, we trade, all major brands!

**RADIO WORLD**  
ONEIDA COUNTY AIRPORT  
TERMINAL BLDG.  
ORISKANY, NY 13424  
315-337-2622  
New & Used ham equipment.  
See Warren K2IXN or Bob WA2MSH.

# HAM MART

## Ohio

**AMATEUR RADIO  
SALES & SERVICE INC.**  
2187 E. LIVINGSTON AVE.  
COLUMBUS, OH 43209  
614-236-1625  
Antennas for all services.

**UNIVERSAL AMATEUR RADIO, INC.**  
1280 AIDA DRIVE  
REYNOLDSBURG, (COLUMBUS) OH  
43068  
614-866-HAMS  
Drake, Yaesu, Ten-Tec, KDK, Wilson,  
DenTron, Tempo, Sigma.

## Oklahoma

**RADIO STORE, INC.**  
2102 SOUTHWEST 59th ST.  
(AT 59th & S. PENNSYLVANIA)  
OKLAHOMA CITY, OK 73119  
405-682-2929  
New and used equipment —  
parts and supply.

## Oregon

**PORTLAND RADIO SUPPLY CO.**  
1234 S.W. STARK STREET  
PORTLAND, OREGON 97205  
503-228-8647  
Second location, 1133 S. Riverside  
Avenue, Medford, OR 97501.

## Pennsylvania

**ARTCO ELECTRONICS**  
302 WYOMING AVENUE  
KINGSTON, PA 18704  
717-288-8585  
The largest variety of semiconduc-  
tors in Northeastern Pennsylvania

**ELECTRONIC EXCHANGE**  
136 N. MAIN STREET  
SOUDERTON, PA 18964  
215-723-1200  
Demonstrations, Sales, Service  
New/Used Amateur Radio Equip.

**"HAM" BUERGER, INC.**  
68 N. YORK ROAD  
WILLOW GROVE, PA 19090  
215-659-5900  
Delaware Valley's Fastest Growing  
Amateur Radio Store

**HAMTRONICS, DIV. OF  
TREVOSE ELECTRONICS**  
4033 BROWNSVILLE ROAD  
TREVOSE, PA 19047  
215-357-1400  
Same Location for 30 Years.  
Call Toll Free 800-523-8998.

## Tennessee

**GERMANTOWN AMATEUR SUPPLY**  
3203 SUMMER AVE.  
MEMPHIS, TN 38112  
800-238-6168  
No monkey business. Call  
Toll Free.

## Texas

**AGL ELECTRONICS**  
3068 FOREST LANE, SUITE 309  
DALLAS, TX 75234  
214-241-6414 (within Texas)  
Out-of-State, Call our toll-free  
number 800-527-7418.

**HARDIN ELECTRONICS**  
5635 E. ROSEDALE  
FT. WORTH, TX 76112  
817-461-9761  
Your Full Line Authorized  
Yaesu Dealer.

**TRACY'S ELECTRONIC MODULE**  
5691 WEST CREEK DRIVE  
FORT WORTH, TX 76133  
817-292-3371  
We Handle and Service  
All Major Lines.

## Wisconsin

**AMATEUR  
ELECTRONIC SUPPLY, INC.**  
4828 WEST FOND du LAC AVENUE  
MILWAUKEE, WI 53216  
414-442-4200  
Open Mon, Tu, Wed, Thur, 9:00-5:30;  
Fri. 9:00-9:00; Sat. 9:00-3:00

## Washington

**AMATEUR RADIO SUPPLY CO.**  
6213 13TH AVENUE SOUTH  
SEATTLE, WA 98108  
206-767-3222  
First in Ham Radio in Washington  
Northwest Bird Distributor

## Regency Scanner

BRINGS  
YOU THE  
NEWS  
WHILE ITS  
HAPPENING



10 channels covering  
all 5 bands. AC/DC operation.

**SAVE \$40 \$89.95**  
LIST \$129.95



### 1,000's OF CRYSTALS

- H25C Case Scanner Monitor
- 10.7 Amateur Ham
- 2 Meter, CB, Standard

1 to 9      10 to 49      50 and UP  
**\$3.70      \$3.00      \$2.50**

**CRYSTAL BANKING SERVICE**  
P.O. BOX 683  
LYNNFIELD, MASS. 01940

## FT-227 "MEMORIZER" OWNERS: SCANNER KIT

- Selectable sweep width (up to full band)
- Scans **only** the portion of band you select
- Scans at the rate of 200 kHz per second
- Switch modification on mike allows you to scan past, or lock on, any occupied frequency
- Complete kit with detailed instructions
- Installs **inside** rig; no obtrusive external connections
- Rig can easily be returned to original condition whenever desired
- Scans to preset limits and reverses
- Automatic bypass of locked frequency in 3-1/2 seconds unless you press lock-on switch

Kit **\$34.95** preassembled and tested **\$54.00**  
add \$1.50 postage and handling

IC-225 Scanner Kits also available  
Kit **\$34.95; \$54.00** assembled.  
add \$1.50 postage and handling

dealer inquiries invited



**AED  
ELECTRONICS**



750 LUCERNE RD., SUITE 120  
MONTREAL, QUEBEC, CANADA H3R 2H6  
TEL. 514-737-7293

*It's Thomas Communications For Top Quality Equipment and Service*

# FREE

- Call Toll-Free 1-800-243-7765
- Retail Price Catalog
- Monthly Used Equipment List



YAESU  
FT-7



YAESU  
FT-901



ICOM  
IC-701



DRAKE  
TR-7



KENWOOD  
TS-820S



YAESU  
FT-227R



TEN TEC  
544



PANASONIC RECEIVER  
RF 4800



KENWOOD  
TS-700SP



KDK  
2015R



DENTRON  
MLA-2500B



WILSON  
MARK IV

## OVER 50 BRANDS IN STOCK

- KENWOOD • SWAN • KDK • DENTRON
- MOSLEY • WILSON • YAESU • DRAKE
- LARSEN • BENCHER • KLM • BEARCAT
- B & W • DATONG • ICOM • PANASONIC
- ARRL PUBLICATIONS • ALLIANCE • BIRD
- CUSHCRAFT • TRAC • MICROLOG • CDE
- HAM KEY • MFJ • DAYBURN INSULATORS
- DSI • SAXTON • TEN TEC • REGENCY
- HUSTLER • ASTATIC • PIPO • AMCOMM
- AMECO • CALL BOOK • FINCO • TEMPO

★ *OUR FINE REPUTATION SPEAKS FOR ITSELF* ★ *"YOU SHIP IT — WE FIX IT"*

- ★ **NEW AND USED EQUIPMENT**  
*"Get on our used equipment mailing list"*
- ★ **TRADES WELCOME**  
*"The best allowances anywhere"*  
*"We buy good used SSB gear"*
- ★ **FREE CATALOG**  
*"Prices of all major manufacturers"*
- ★ **SAME DAY U.P.S. SHIPPING**  
*"Just a phone call away"*

- ★ **COMPLETE RADIO SERVICE SHOP**
  - Fast Efficient Service • We Repair All Brands • All Work Guaranteed • Amateur Extra/First Class Licenses • Send Us Your Defective Equipment U.P.S. Collect • Free Shipping Both Ways If Work Is Done • Most Repairs Done & Shipped Within 7 Days

**Call or write for  
your super quote today!**

Connecticut Residents Call:  
203-667-0811

95 Kitts Lane  
Newington, Conn. 06111  
"Near ARRL Headquarters"




**THOMAS  
COMMUNICATIONS**

OPEN MON.-FRI. 10-6 • THURS. 10-8 P.M. • SAT. 10-4

EASY DIRECTIONS: Rt. 15 South — 2 blocks past McDonald's (Berlin Turnpike)

# RTTY for ALL Systems



## ELECTROCOM® "SERIES 400" FREQUENCY SHIFT CONVERTERS

Professionally engineered for outstanding performance, stability, and reliability, the Electrocom® Models 400 and 402 add new dimensions of compatibility between radio and teletypewriter systems. Manufactured to highest quality standards—an Electrocom tradition for nearly two decades—these units are ideal for military, government, commercial, civil defense and amateur applications. The Model 400 front panel digital knob accurately selects shifts up to 1000 Hz., while two such knobs on the Model 402 independently set the mark and space frequencies. Both models may also be preset with any tone pair between 1000 and 3200 Hz.

Optimum performance with FSK or AFSK

systems is assured by matched filters, precision linear detectors, baud rate selector, bias compensation, and semi-diversity circuitry. Operation is enhanced by a CRT monitor, autostart with solid-state motor switching, antispacer, markhold, EIA/MIL output voltages, and a constant current loop supply. In addition, various options are available including rack mounting and polar current output.

Write or call us for complete product details and specifications. Learn why Electrocom® "400" Converters are designed not only for today's communication environment, but ultimately to fulfill RTTY requirements for years to come.

**Electrocom**® INDUSTRIES  
1105 N. IRONWOOD DRIVE, SOUTH BEND, INDIANA 46615  
Telephone: (219) 232-2743

## DAMES COMMUNICATION SYSTEMS

### Ham Gear

Collins 312B4, Sta. Cntl., rd., exc.	\$250
Collins 312B5, Vfo Console, exc.	\$550
Collins 32S3, Transmitter, rnd., exc.	\$850
Collins 75S3B, Ham receiver, vy gd	\$725
Collins 75A4, Ham receiver, vy gd	\$425
Collins 51S1, 2-30 MHz rcvr	Special
Collins R-388/51J3 receiver, vy gd	\$425
Hammarlund SP-600JX, rcvr	\$395
Collins CP-1 Crystal Pack	\$195
Racal 6217E, .5-30 MHz receiver	\$1350
New R390A rcvr avail.	Call for quote.
Collins 30S1 Linear, wing, excellent	\$1695
Johnson 2kW Matchbox w/swr meter	\$225
Collins 32S3 ham transmitter, vy gd	\$650
Yaesu FTDX-570 transceiver, vy gd	\$475

### Test Gear

HP-200CD wide-range oscillator	\$175
HP-202H 54-216 MHz AM/FM sig. gen.	\$695
HP-608D 10-420 MHz sig. gen.	\$550
Tek 564 storage 'scope, w/plug ins	\$695
Tek 545 30-MHz 'scope	\$395
Tek 531A 'scope, exc.	\$350
Tek 453 portable scope, exc.	\$1295

We stock Amateur and Professional equipment from manufacturers such as Collins, Hewlett-Packard, etc.

All equipment sold checked and realigned  
Write for free catalog.

Merry Christmas and  
Happy New Year!

201-998-4256  
10 SCHUYLER AVENUE  
NORTH ARLINGTON, N. J. 07032

WHERE THE HAM  
IS KING



SERVICE FOR  
OVER 30 YEARS

## DEALERS WANTED

Hamtronics, Inc. is a stocking distributor for all major lines of Radio Communications Equipment, parts and accessories.

If you are presently in the electronics sales and service business, and have experienced difficulty in maintaining proper inventory to serve your customers or if you are contemplating going into your own business, we may be able to solve your problem with our large inventory.

For more information fill in coupon below and mail today with your letterhead or Tax Exempt Number.

A DIVISION OF TREVOSE ELECTRONICS

# HAMTRONICS, INC.

4033 BROWNSVILLE ROAD, TREVOSE, PA. 19047

Business Name \_\_\_\_\_  
Street \_\_\_\_\_  
City, State \_\_\_\_\_ Zip \_\_\_\_\_  
Telephone No. \_\_\_\_\_  
Tax Exempt No. \_\_\_\_\_  
Name, Title \_\_\_\_\_

# New!



## Twice as much for less.

□HR-LB Here's the log book everyone is talking about. This new offering from HRCB is far superior to any other log available today! With over 2,000 entries, you have twice as much space for less cost in comparison to its nearest competitor. There are 80 big (8½ x 11) pages, 30 entries per page for an "easy-count" during contests, a frequency spectrum chart, call sign prefixes and much more. This is unquestionably the best log book value anywhere. 80 pages. ©1978. Spiralbound.

## \$1.50

Send check, money order or credit  
card information plus \$1.00 shipping to:

**Ham Radio's Communications Bookstore**  
Greenville, NH 03048

# THE SWITCH IS ON!

Not only is the big move to switch to the Wilson Mark Series of Mini-Hand-Held Radios, but now the switch is on the Mark!

Wilson Electronics, known for setting the pace in 2m FM Hand-Helds, goes one step beyond!

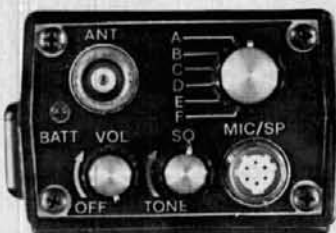
**AT NO EXTRA CHARGE:** all Mark Series Radios now will include a switch for you to control the power of operation. This will enable you to use the high power when needed, then later switch to low power to conserve battery drain for extended operation.

**IN ADDITION:** all Mark Series Radios now have an LED Battery Condition Indicator conveniently mounted on the top plate. A quick peek will reassure you of a charged battery in the radio.

Wilson-hand-helds have been known world-wide for exceptional quality and durable performance. That's why they have been the best selling units for years.

Now the Mark Series of miniature sized 2-meter hand-helds offers the same dependability and operation, but in an easier to use, more comfortable to carry size . . . fits conveniently in the palm of your hand.

The small compact size battery pack makes it possible to carry one or more extra packs in your pocket for super extended operation time. No more worry about loose cells shorting out in your pocket, and the economical price makes the extra packs a must.



Conveniently located on top of the radio are the controls for volume, squelch, accessory speaker mike connector, 6 channel switch, BNC antenna connector and LED battery condition indicator.



Optional Touch Tone™ Pad available.

To obtain complete specifications on the Mark II and Mark IV, along with Wilson's other fine products, see your local dealer or write for our Free Amateur Buyer's Guide.

**— NOW SWITCHABLE —**

**MARK II:  $\approx$  1 & 2.5 watts**

**MARK IV:  $\approx$  1 & 4.0 watts**

## SPECIFICATIONS

- Range: 144-148 MHz
- 6 Channel Operation
- Individual Trimmers on TX and RX Xtals
- Rugged Lexan® outer case
- Current Drain: RX 15 mA
- TX - Mark II: 500 mA
- TX - Mark IV: 900 mA
- 12 KHz Ceramic Filter and 10.7 Monolithic Filter included.
- 10.7 MHz and 455 IKz IF
- Spurious and Harmonics: more than 50 dB below carrier
- BNC Antenna Connector
- .3 Microvolt Sensitivity for 20 dB Quieting
- Uses special rechargeable Ni-Cad Battery Pack
- Rubber Duck and one pair Xtals 52/52 included
- Weight: 19 oz. including batteries
- Size: 6" x 1.770" x 2.440"
- Popular accessories available: Wall Charger, Mobile Charger, Desk Charger, Leather Case, Speaker Mike, Battery Packs, and Touch Tone™ Pad.



Illustrated is Wilson's BC-2 Desk Top Battery Charger shown charging the Mark Series Unit or the BC-4 Battery Pack only.



Consumer Products Division

**Wilson  
Electronics Corp.**

4288 South Polaris Avenue • P. O. Box 19000 • Las Vegas, Nevada 89119  
Telephone (702) 739-1931 • TELEX 684-522

<b>CONNECTORS</b>  BNC M/UHF-F UG-255U \$3.00  BNC F/UHF-M UG-273U \$2.50  BNC F/BNC-F UG-914U \$2.00  UHF F/UHF-F PL-258 \$1.50  'N' F/BNC-M UG-349U \$3.75  'N' M/UHF-F UG-146U \$4.75  'N' F/UHF-M UG-83BU \$4.75  RCB Adapter UG-175 \$ .25  BNC M-CABLE UG-88 \$1.35  BNC F-PANEL UG-109A \$1.00  "N" M CABLE UG-21B \$2.95  "N" F PANEL UG-58 \$2.25	<b>5 V. DIP RELAY</b>  <b>\$1.50</b> <b>DIODES</b> <b>HIGH VOLTAGE</b> 3000PIV 250MA \$1.55 8000PIV 350MA \$1.25 6000PIV 750MA \$2.75  16 PIN IC ADAPTER. MFG. BY AUGAT. HAS ROUND GOLD PINS WITH SOLDER CONNECTIONS. <b>55¢ each</b> <b>SURPLUS POWER SUPPLY</b> 5V. 6A. Regulated 115VAC <b>\$14.95</b> Solder Tail 8 pin \$ .20 14 pin \$ .18 16 pin \$ .18 22 pin \$ .36 24 pin \$ .35 28 pin \$ .40 40 pin \$ .85 <b>WIRE WRAP</b> 14 pin \$ .35 16 pin \$ .38 24 pin \$ .75 40 pin \$ .95 <b>50 ohm COAX</b> RG 174 U 50 FT. \$2.75
<b>LED JUMBOS</b> RED 10 FOR \$1.00 100 FOR \$7.95  <b>25¢</b> <b>1N4007 10¢</b> <b>.1 OHM 5 WATT RESISTORS</b> 5 FOR \$1.00 <b>50 OHM 200 WATT</b> \$2.50 EA.	<b>LED</b> <b>JUMBOS</b> RED 10 FOR \$1.00 100 FOR \$7.95  <b>25¢</b> <b>1N4007 10¢</b> <b>.1 OHM 5 WATT RESISTORS</b> 5 FOR \$1.00 <b>50 OHM 200 WATT</b> \$2.50 EA.
<b>KIT</b>  <b>USED FANS</b> 100 CFM 115VAC 4.5" X1.5" <b>GUARANTEED</b> \$6.95	<b>VARIABLE POWER SUPPLY</b> *12-28 adjustable at 28v 250ma. *5-12 adjustable at 12v 500ma. PS-1 5-12V \$5.95 PS-2 12-28V \$5.95 <b>Computer Grade capacitors</b> 10,000uf 50v \$2.95 23,200uf 50v 3-50 100,000uf 10v 1.75
 Touch-Tone Housing. BLACK only...\$3.25	 THIS ASSORTMENT OF POTS IS NEW. WE JUST DON'T HAVE THE TIME TO SORT THEM. \$1.00/10
<b>NYLON CABLE TIES</b>  4 INCH 100EA \$1.50 6 INCH 100EA \$2.50	 SO-239 65¢ PL-259 65¢ 10/\$6.00 MIX & MATCH
 <b>MJ3000 \$2.25</b>	 <b>TOGGLE SWITCH</b> PC MOUNT OR PANEL MINI SP DT SWITCH \$1.00 10/\$8.00
 115V switch/outlet takes a 1x2 7/16" hole. \$ .75	<b>7812 V.REG.</b> 12V. 1.AMP. HOUSE MARKED <b>75¢</b>
 200PIV 25A \$1.75	<b>M P MARLIN P JONES &amp; ASSOC.</b> <b>PO BOX 9023</b> <b>J A RIVIERA BEACH, FLORIDA</b> <b>33404</b> (305) 848-8236 *Fla. residents add 4% sales tax. *MC & VISA accepted, please include expiration date and signature as on card. *Add \$1.00 for order under \$10.00. *Canada & Foreign orders please add sufficient postage. **USA orders please add 5% postage.

## RADIO AMATEUR CALLBOOKS



Respected worldwide as the only complete authority for radio amateur QSL and QTH information.

The U. S. Callbook has nearly 350,000 W & K listings. It lists calls, license classes, names and addresses plus the many valuable back-up charts and references you come to expect from the Callbook.

Specialize in DX? Then you're looking for the Foreign Callbook with almost 285,000 calls, names and addresses of amateurs outside of the USA.

U.S. Callbook \$15.95

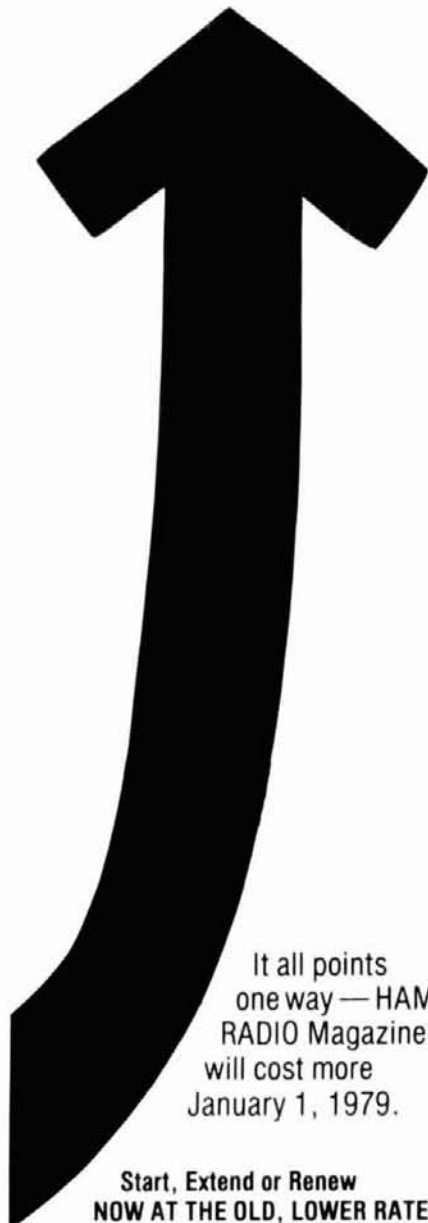
Foreign Callbook \$14.95

(Plus Shipping)

Order from your favorite electronics dealer or direct from the publisher. All direct orders add \$1.75 for shipping. Illinois residents add 5% Sales Tax.

RADIO AMATEUR **callbook** INC.  
 Dept. E 925 Sherwood Drive  
 Lake Bluff, Ill. 60044

Paper costs up,  
 Printing costs up,  
 Postage costs up,  
 Up, Up, Up . . .



It all points one way — HAM RADIO Magazine will cost more January 1, 1979.

Start, Extend or Renew NOW AT THE OLD, LOWER RATES

- 1 year . . . . . Just \$12.00 (\$15 after January 1)
- 2 years . . . . . Just \$22.00 (\$26 after January 1)
- 3 years . . . . . Just \$30.00 (\$35 after January 1)

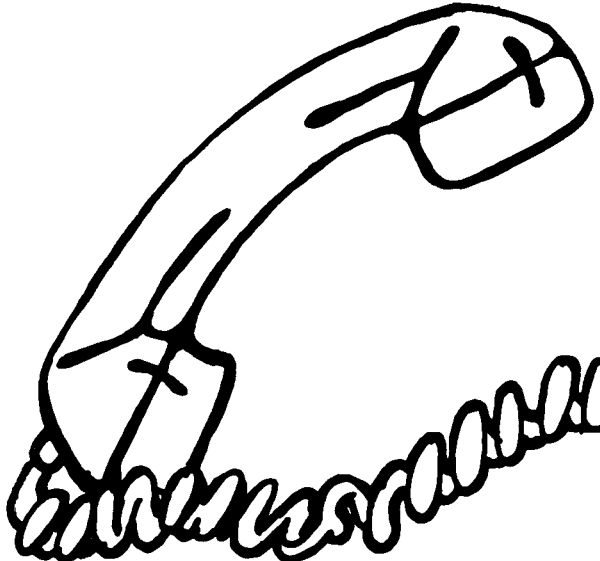
(use the handy card included in this issue or complete below)

New  Extension  Renewal

For payment enclose check, money order or charge card information (acct. #, expire date, bank # for Master Charge)

Name \_\_\_\_\_ Call \_\_\_\_\_  
 Address \_\_\_\_\_  
 City \_\_\_\_\_ State \_\_\_\_\_ Zip \_\_\_\_\_

# You're just a few digits away from name brand radio equipment - AT DISCOUNT PRICES!



CALL TOLL FREE

**1-800-228-4097**  
**Communications Center**

443 N 48th Street  
Lincoln, Nebraska 68504  
In Nebraska Call (402)466-8402

**1-800-634-6227**  
**Communications Center  
West**

1072 N. Rancho Drive  
Las Vegas, Nevada 89106  
In Nevada Call (702)647-3114

YAESU  
KENWOOD  
DRAKE  
ICOM  
STANDARD  
EDGECOM  
KDK

DENTRON  
HY-GAIN  
MOSLEY  
CUSHCRAFT  
WILSON  
HUSTLER  
LARSEN

TAYLOR  
SWAN  
TEMPO  
TEN-TEC  
MIDLAND  
CDE  
AUTEK

E.T.O. ALPHA  
VHF ENGINEERING  
BERK-TEK CABLE  
CONSOLIDATED TOWER  
SAY  
SHURE  
TELEX

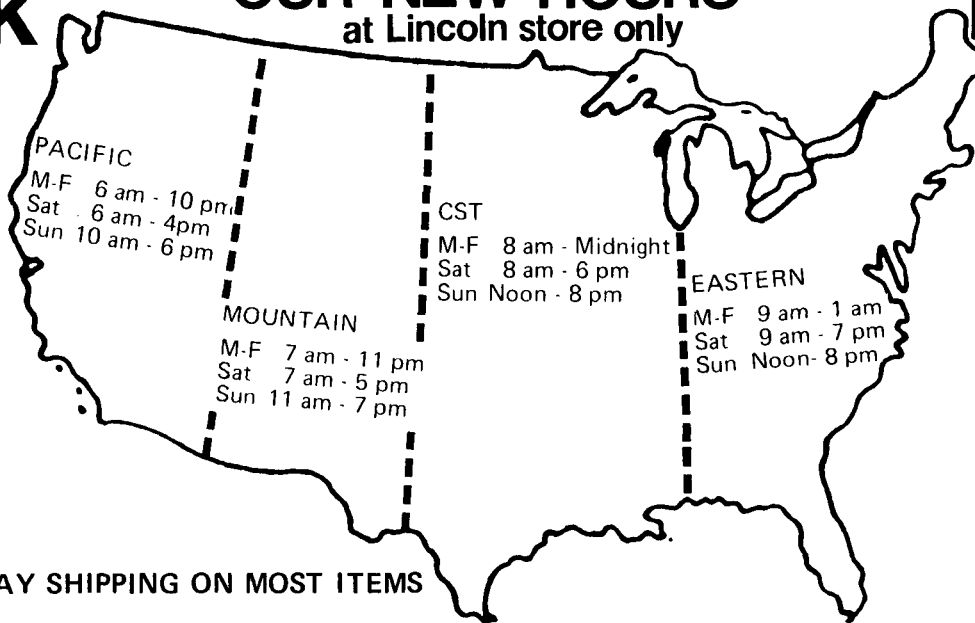
plus many more

We carry all major lines of Antennas at Discount Prices

look

**OUR NEW HOURS**  
at Lincoln store only

look



SAME DAY SHIPPING ON MOST ITEMS

**1-800-228-4097**

**Communications Center**

443 N. 48th, Lincoln, Nebraska 68504

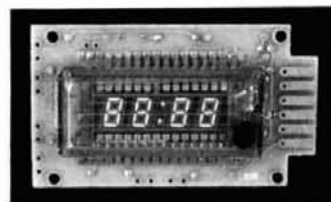
In Nebraska Call (402)466-8402



# TRS-80 MEMORY EXPANSION: \$159!

Our Conversion Kit contains all parts (and detailed instructions) necessary to upgrade a TRS-80 mainframe from 4K to 16K, or populate the Memory Expansion Module. Also works with APPLes. Only \$159 (3 kits/\$450) ... and we back up our parts with a 1 year warranty.

## MP1003 CLOCK MODULE: \$16.50



Add 3 time-setting switches, 12V DC, and you're up and running. Crystal-controlled timebase makes this unit ideal for car, van, boat, other mobile applications. Large (0.3") blue-green fluorescent readouts are visible under conditions where LEDs would wash out. Includes special options for car applications (for example, turning on headlights dims display slightly for night viewing). Whether you need a clock for yourself or want to present someone with a fine gift, this is an excellent choice. With applications data. 3/546.

## 12V 8A POWER SUPPLY \$44.50



Handles 12A with 50% duty cycle. Ideal for powering mobile equipment (CB rigs, portable TVs, transceivers, etc.) in the home; can also power bunches of floppy disc drives. Crowbar overvoltage protection, foldback current limiting, adjustable output 11-14V, custom heavy-duty transformer, RF suppression, and easy assembly (all parts except xfrmr/filter caps/diodes mount on circuit board). Does not include case. With full assembly instructions.

TERMS: Cal res add tax. Allow 5% shipping, (more for power supply), excess refunded. COD OK with street address for UPS delivery. VISA/Mastercharge call 24 hr. order desk at (415) 562-0636. Thank you for your business.

## play with wire? request our flyer!

Our flyer is full of parts, music kits, computer kits, enclosures, specialty tools, capacitors, resistors ... 40 pages of bargains in all. It's free: send us your name and address, we'll take care of the rest.

# GODBOUT

BELL GODBOUT ELECTRONICS  
BOX 2355, OAKLAND AIRPORT, CA 94614

## C. W. KEYBOARD MODULE



BY WB2DFA. SEE JAN '78 HR, PGS 81-87

- DOUBLE SIDED, PLATED THRU BOARD
- USES POWERFUL 6504 MICROPROCESSOR
- 256 CHARACTER BUFFER • 64 CHARACTER RECALLABLE BUFFER FOR CQ's, HERE IS ... ETC. • 5 TO 99 W.P.M. SPEED RANGE • XTAL CONTROLLED • EXPANDABLE MORSE CHARACTER SET • AUTO XMT SWITCH OUTPUT FOR YOUR RIG (KEYBOARD VOX) • BUFFER OVERFLOW WARNING LAMP DRIVERS • USE WITH ASCII ENCODED KEYBOARD • \$27.00 BARE BOARD LESS PARTS, PPD USA • KITS AVAILABLE •••

## PYRAMID DATA SYSTEMS

6 TERRACE AVE., NEW EGYPT, NJ • 609-758-7487

## J.W. Miller Presents...



## RF Speech Processor/Model RF-440 From DAIWA CORPORATION

Increases talk power with splatter free operation. RF clipping assures low distortion. Simply install between microphone and transmitter.

Talk Power: Better than 6 dB  
Clipping Threshold: Less than 2 mV at 1 KHz  
Bandwidth: 2200 Hz at 6 dB down  
Frequency Response: 300-3000 Hz at 12 dB down  
Distortion: Less than 3% at 1 KHz, 20 dB clipping  
Output Level: More than 50 mV at 1 KHz  
Power Requirement: 115 VAC, 60 Hz, 1.4 W; or 13.5 VDC, 55 mA

Dimensions: 150 x 70 x 150 mm; 5 x 2.5 x 5 in.  
Write for literature.

Exclusive USA agent for this unit.

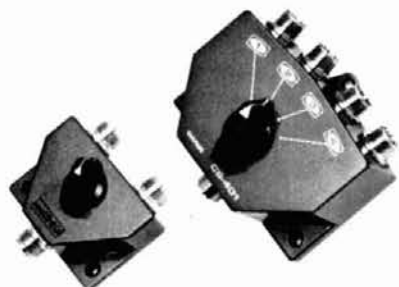


J.W. Miller Division  
BELL INDUSTRIES

19070 REYES AVE. ■ P.O. BOX 5825  
COMPTON, CALIFORNIA 90224



## J.W. Miller Presents...



## Coaxial Switches From DAIWA CORPORATION

2 Position/Model CS-201  
4 Position/Model CS-401

Professionally engineered cavity Construction: High Isolation  
Power Rating: 2.5 kW PEP; 1 kW CW  
Impedance: 50 Ohm  
Insertion Loss: less than .2 dB  
VSWR: 1:1.2  
Maximum Frequency: 500 MHz  
Isolation: Better than 60 dB at 300 MHz; better than 45 dB at 450 MHz adjacent terminal

Connectors: SO-239  
Write for literature.

Exclusive USA agent for this unit.



J.W. Miller Division  
BELL INDUSTRIES

19070 REYES AVE ■ P.O. BOX 5825  
COMPTON, CALIFORNIA 90224



U.S. POSTAL SERVICE  
STATEMENT OF OWNERSHIP, MANAGEMENT AND CIRCULATION  
(Required by 39 U.S.C. 3685)

1. TITLE OF PUBLICATION: HAM RADIO MAGAZINE  
2. ISSUE FREQUENCY OF PUBLICATION: monthly  
3. LOCATION OF HEADQUARTERS AND GENERAL BUSINESS OFFICES OF THE PUBLISHER (Not printer): Main Street, Greenville, NH 03048  
4. LOCATION OF THE HEADQUARTERS AND GENERAL BUSINESS OFFICES OF THE PUBLISHER (Not printer): Main Street, Greenville, NH 03048  
5. NAMES AND COMPLETE ADDRESSES OF PUBLISHER, EDITOR, AND MANAGING EDITOR:  
PUBLISHER (Name and address): I. H. Tenney, Main Street, Greenville, NH 03048  
EDITOR (Name and address): J. B. Fish, Main Street, Greenville, NH 03048  
MANAGING EDITOR (Name and address):  
6. OWNER (If owned by a corporation, its name and address must be stated and also immediately thereunder the names and addresses of all stockholders owning or holding 1 percent or more of the total amount of stock. If not owned by a corporation, the names and addresses of all individual owners must be given. If owned by a partnership or other unincorporated firm, its name and address, as well as that of each individual owner, must be given.)  
NAME: Communications Technology Inc. ADDRESS: Main Street, Greenville, NH 03048  
I. H. Tenney Jr., Main Street, Greenville, NH 03048  
7. KNOWN BONDHOLDERS, MORTGAGEES, AND OTHER SECURITY HOLDERS OWNING OR HOLDING 1 PERCENT OR MORE OF THE TOTAL AMOUNT OF BONDS, MORTGAGES OR OTHER SECURITIES OF THIS PUBLISHER (Not printer):  
NAME: T. H. Tenney Jr. ADDRESS: Main Street, Greenville, NH 03048  
8. FOR COMPLETION BY NON-PROFIT ORGANIZATIONS AUTHORIZED TO MAIL AT SPECIAL RATES (Section 1103 (b) (2) (B))  
The purpose, function, and nonprofit status of this organization and the exempt status for Federal income tax purposes (Not printer):  
 HAVE NOT CHANGED DURING PRECEDING 12 MONTHS  HAVE CHANGED DURING PRECEDING 12 MONTHS (If changed, publisher must submit explanation of change.)  
9. EXTENT AND NATURE OF CIRCULATION: (Check one)  
A. TOTAL NO. COPIES (Net press run) 60,166 59,000  
B. SALES THROUGH DEALERS AND CARRIERS, STREET VENDORS AND COUNTERS 7,434 6,647  
C. MAIL SUBSCRIPTIONS 48,755 48,877  
D. TOTAL PAID CIRCULATION (Sum of B, C and D) 56,689 55,524  
E. FREE DISTRIBUTION BY MAIL, CARRIER OR OTHER MEANS (SAMPLES, COMPLIMENTARIES, AND OTHER FREE COPIES) 2,016 1,791  
F. TOTAL DISTRIBUTION (Sum of E and D) 57,705 57,315  
G. COPIES NOT DISTRIBUTED (OFFICE USE, LEFT-OVER, UNRECORDED, WASTED, OTHER PRINTING) 2,361 1,690  
H. RETURNED FROM NEWS DEBITS 95 85  
I. TOTAL (Sum of G, H and F) should equal net press run (8-A) 60,166 59,000  
10. I certify that the statements made by me above are correct and complete.  
11. I certify that the statements made by me above are correct and complete.  
12. FOR COMPLETION BY PUBLISHERS MAILING AT THE REGULAR RATES (Section 1103 (b) (1), Postal Service Manual)  
13. U.S. POSTAL SERVICE provides this service. Your agent who would have been advised to mail matter using Special Notice (Section 1103 (b) (2) (B)) should mail this notice in accordance with the instructions on the label attached to this notice. If you are not using this service, you should not mail this notice.  
14. In accordance with the provisions of this statute, I hereby request permission to mail the publication named in Item 1 at the special rate authorized by 39 U.S.C. 3626.  
SIGNATURE AND TITLE OF PUBLISHER, BUSINESS MANAGER OR OWNER: T. H. Tenney Jr., Publisher  
PS Form No. 3526 (Page 1) (See instructions on reverse)



# TIMETRAC

By Comus



FIRST TIME OFFER



### RELAX AND LET TIMETRAC DO YOUR REMEMBERING.

TIMETRAC helps manage your busy schedule, increases your efficiency. Every home and office needs TIMETRAC.

### TIMETRAC — THE CLOCK THAT REMEMBERS

This is the exciting, all new time-minder that combines space-age technology with everyday practicality. It remembers and reminds you of everything that you might forget. TimeTrac combines smart, modern design with precision and performance. Its vacuum fluorescent display provides readability from a distance (the largest display on the market today). You control the display brightness with a dimmer switch.

## NOT A KIT

the microcomputer controlled appointment clock

### A NEW SOLUTION FOR SOME OLD PROBLEMS

Your spouse will never be upset with you for missing a birthday.

Your business associates will be pleased when you're never late for appointments. Your doctor will be confident that you are taking your medication at the time prescribed.

### FOR THE BUSY EXECUTIVE

Controls length of business meetings. Reminds you 10 minutes ahead of time to prepare for meeting and gives you time to clear your desk. Reminder of wife's birthday. Reminder to catch plane for important business trip.

### FOR THE HOMEMAKER

Reminder to take meat out of freezer for dinner. Kitchen timer. Reminder of tennis dates and hair dresser appointments.

### FOR THE MOTHER

Time children's phone calls, homework, music practice. Wake children for school.

### FOR THE SENIOR CITIZEN

Medication reminder. Reminder of grandchildren's birthdays, doctor appointments. Easy-to-read large display. A wonderful gift for Mom and Dad.

Regular Price \$79.95  
**Introductory Offer**  
By Hal-Tronix  
only \$69.95

### FOR THE STUDENT

Timer for chemistry lab, bio lab. Timer for solving problems or preparation for exams.

### FOR THE GOURMET COOK

Alarms to tell you when to start next step in meal preparation. By programming the timer alarm, you'll know just when each course of an elaborate meal must be prepared so everything will be ready at the same time. Helps you keep track of recipe timing.

### FOR THE SALESMAN

Stores up to 30 future appointments — easy to see at the touch of a key when next appointment is scheduled.

### FOR THE PHOTOGRAPHER

Timer for photographic development chain. Can insert red digital display filter to avoid damaging film.

### FOR THE ATTORNEY

Records client's time charges, meetings, phone calls, research. Timer with built-in pause capability provides accurate way of timing speech presentations.

### FOR THE SECRETARY

The secretary's best friend. Remembers to remind the boss of key appointments. Times length of phone calls.

### TIMETRAC FEATURES

- Sleek modern styling to complement any home or office decor.
- Tells the time.
- Tells the date and year.
- Up-timer to 60 minutes, 59 seconds with pause.
- Alarm to ring at the same time, everyday.
- Daily appointment sets appointments for the next 23 hours, 59 minutes.
- Future appointments up to one year.
- Dimmer switch for display.
- Memory will hold up to 30 appointments.
- Lithium power cell to retain memory during power outage.
- Appointments entered out of chronological order will be stored in chronological order.
- Colon flashes once each second.
- A.M./P.M. indicator.
- Plugs into any wall outlet.
- Easy to read vacuum fluorescent display.
- Extremely accurate quartz crystal clock.

### THE TIMETRAC COMPUTER APPOINTMENT ALARM.

Efficient. Remarkable. Ask your salesman for a demonstration.

TIMETRAC SOLD AND DISTRIBUTED BY HAL-TRONIX. DEALERS WELCOME.

THE ONLY CLOCK OF ITS KIND — NONE CAN COMPARE!



"HAL"  
HAROLD C. NOWLAND  
W8ZXH

# HAL-TRONIX

P. O. BOX 1101  
SOUTHGATE, MICH. 48195

SEND 15c STAMP OR S.A.S.E. FOR INFORMATION AND FLYER ON OTHER HAL-TRONIX PRODUCTS. TO PHONE ORDER IN 1-313-285-1782.

## MOVING? KEEP HAM RADIO COMING...

If possible let us know four to six weeks before you move and we will make sure your HAM RADIO Magazine arrives on schedule. Just remove the mailing label from this magazine and affix below. Then complete your new address (or any other corrections) in the space provided and we'll take care of the rest.

ham  
radio  
Magazine

Allow 4-6 weeks for correction.

Greenville, NH 03048

Thanks for helping us to serve you better.

Here's my new address:

Name \_\_\_\_\_  
Address \_\_\_\_\_  
City \_\_\_\_\_ State \_\_\_\_\_ Zip \_\_\_\_\_  
Call \_\_\_\_\_

AFFIX  
LABEL  
HERE

## J. W. Miller Presents...



### SWR & Power Meters Models CN-720 and CN-620 From DAIWA CORPORATION

Simultaneous direct reading SWR, Forward Power and Reflected Power

Frequency Range: 1.8-150 MHz  
SWR Detection Sensitivity: 10 W Min.  
Power: 3 Ranges FWD 20/200/1000 w (REF 4/40/200 w.)  
Input/Output Impedance: 50 Ohm

Write for literature.

Exclusive USA agent  
for these units.



## J.W. Miller Division BELL INDUSTRIES

19070 REYES AVE. ■ P.O. BOX 5825  
COMPTON, CALIFORNIA 90224



# Toroids

\$15.50 value

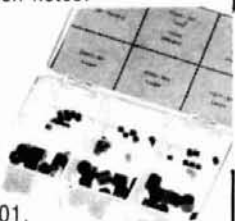
only **\$9.95**

Don't be caught without the correct toroid right in the middle of your next project . . . get this convenient assortment from Whitehouse. 42 of the most popular toroids packaged in a sturdy, plastic storage case:

- 3 each: T50-2, T50-3, T50-6, T68-2, T68-3, T68-6
- 2 each: T25-2, T-256, T37-2, T37-6, T37-10, T-37-12, T50-10, T50-12, T68-10, T80-2, T80-6, T94-2

plus application notes.

## Ferrite Bead Asst.



One dozen each: FB43-101, FB43-801, FB64-101, FB64-801, FB73-101 and FB73-801. Two sizes and three materials to fill all your needs.

\$7.50 Value Just **\$6.95**

VISA and MASTER CHARGE Orders Welcome

**(603) 673-7724**

Please include \$2.00 shipping and handling with each order.

G.R. **WHITEHOUSE & CO.**  
10 Newbury Drive, Amherst, N. H. 03031



# Radio World



**CENTRAL NEW YORK'S FASTEST GROWING HAM DEALER**








Featuring Yaesu, Icom, Drake, Atlas, Ten-Tec, Swan, Dentron, Pace, Palomar, Aida, Midland, Wilson, KDK, MFJ, Microwave Module, Standard, Tempo, Astron, KLM, Hy-Gain, Mosley, Larsen, Cushcraft, Hustler, Mini Products, Universal and Tristao Towers. *We service everything we sell! Write or call for quote. You Won't be Disappointed.*  
We are just a few minutes off the NYS Thruway (I-90) Exit 32

**Warren**  
K2IXN

**ONEIDA COUNTY AIRPORT TERMINAL BUILDING**  
ORISKANY, NEW YORK 13424

**Bob**  
WA2MSH

**315-337-2622 or 315-337-0203**

**8-POLE 350-Hz FILTER FOR SIGNAL/ONE TRANSCEIVERS \$120.00**

**Finally! Superior 8-Pole CW Selectivity for Drake TR-4, TR-4C, TR-4 Cw**

350 Hz at -60db, 850 Hz at -60db. Cuts QRM. More selective than 6-pole CW filter in new TR-4Cw which is 500 Hz at -60db, and 2000 Hz at -60db. CF-350/B \$100.00. Switch and mounting kit \$10.00

**At Last! Superior 8-Pole CW Selectivity for Kenwood TS-820**

MINIMAL LOSS IN SET. GOOD SIGNAL-TO-NOISE. 350 Hz at -60db, 850 Hz at -60db. Cuts QRM. More selective than standard YG-8BC 6-pole CW filter which is 500 Hz at -60db, and 1800 Hz at -60 db. CK-350/B \$100.00

**600 Hz 6-Pole First-IF Filter for Drake R-4C**

Improve the early stage selectivity. Eliminate those high pitched beat notes from signals that leak around the switchable second-IF filter. Minimize the chance of strong signals overloading the second mixer, causing intermodulation and desensitization. Both the existing filter and our CF-600/B can be mounted in the receiver and relay switched to retain phone capabilities. CF-600/B \$80.00. Relay switch kit \$33.00

**125 Hz 8-Pole Second-IF Filter for Drake R-4C**

Still sharper available! 300 Hz at -60db! Cuts QRM. Ideal for DX and contest work. Unexcelled under crowded band conditions. Does what no audio filter can do. More selective than audio filters. Puts selectivity in AGC loop. Unlike with audio filters, receiver gain not reduced by QRM outside passband. Yet works well with an audio filter to improve receiver performance. Plug directly into an accessory filter socket of the R-4C. CF-125/B \$130.00

**CW Operators!**

## Attention:

*These crystal filters are for you!*

All filters contain specially-treated high-Q crystals.


**Sherwood Engineering Inc.**  
1268 South Ogden St.  
Denver, Colo. 80210  
(303) 722-2257

Money back if not satisfied  
Add \$3 per order shipping;  
\$6 overseas air

Dealer Inquiries Welcome





## A PERFECT WAY TO EDUCATE YOUR FM REPEATER



The CSC series discrete controller or the MCC series micro-programmed controller turns our RPX or our Repcomm FM repeater into a truly intelligent machine. Over fifty standard options are available including autopatch. The CSC or MCC series controllers may be used with other repeaters with an optional interface unit. All HMR VHF/UHF products are built under a strict quality assurance program and come with a full two year limited warranty. Write us and we will be glad to send you all the details.

Other related HMR products:

- REPEATERS
- COMMUNITY REPEATERS
- MICROWAVE LINKS
- RF POWER AMPLIFIERS
- RF PREAMPLIFIERS
- HELICAL RESONATORS
- TRANSCEIVERS
- RECEIVERS
- TRANSMITTERS
- RADIO PAGING SYSTEMS
- BASEBAND GENERATORS
- MICROWAVE ANTENNAS
- MICROWAVE CAVITIES
- SATELLITE EQUIPMENT
- SELECTIVE CALL SYSTEMS



**HMR COMMUNICATIONS, INC.**  
AMATEUR RADIO DIVISION  
WEST NEWTON, PA 15089

Phone: (412) 872-8220  
TWX: 710-789-3882

# TUBES FOR YAESU RIGS

These excellent Japanese-made Fox-Tango brand tubes match Yaesu rigs so perfectly that neutralization adjustment is rarely required. Our tubes are noted for their high output and long life. Quantities limited. Get a selected set while they last. Satisfaction guaranteed.

**SET A**

2-6JC6C's  
1-12BY7A  
for FT-101/277 series  
FL-101, FT-200/250  
(Tempo I)

**\$25**

**SET B**

2-6KD6C's  
1-6GK6A  
for FT-DX400, 560, 570;  
FT-400, 401 series; FT-501

**\$30**

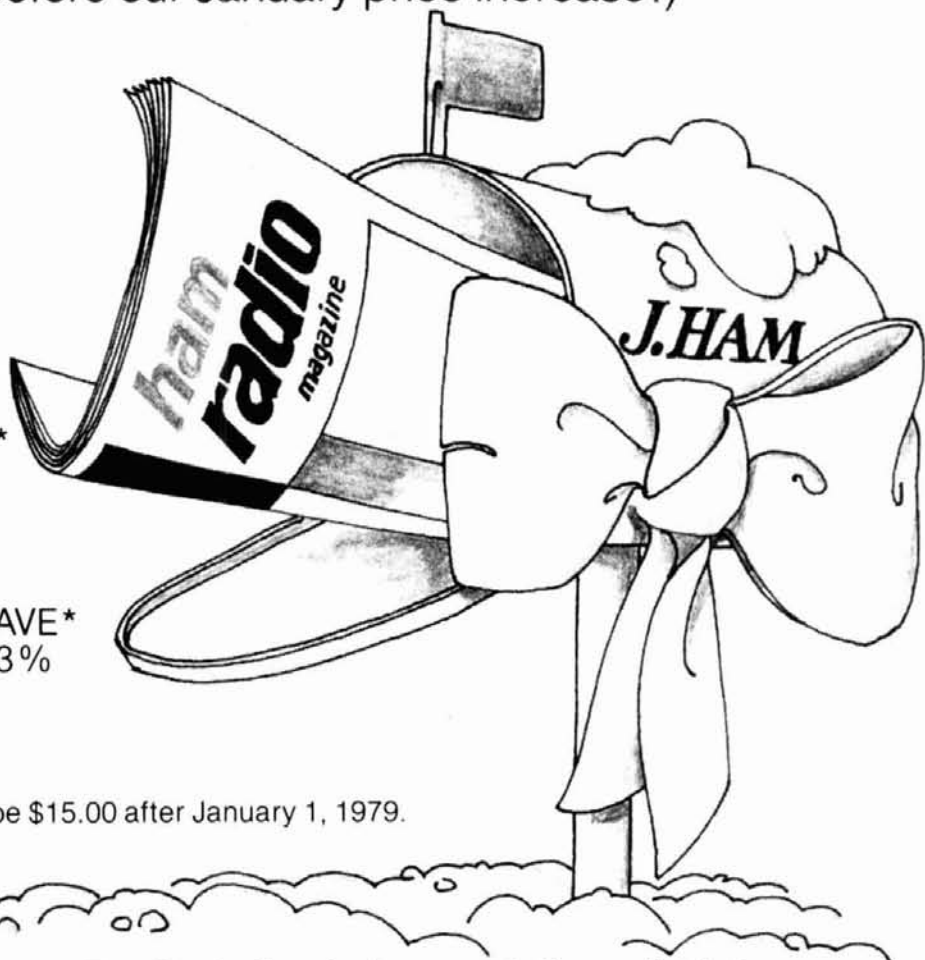
Postage paid U.S. and Canada. Others add \$2 per set, airmail. New York residents add sales tax. Master Charge and VISA accepted.



**FT ACCESSORIES**  
DIVISION OF FOX TANGO CORPORATION  
BOX 274, BRONX, N. Y. 10463

# 'Tis best to gift as well as receive.

(especially before our January price increase!)



One Year/12 issues

**\$12**

SAVE\*  
20%

**First Gift**

**\$9.97**

SAVE\*  
43%

**Each  
Additional Gift**

\*One-year subscriptions will be \$15.00 after January 1, 1979.

**Giving Ham Radio is both fun and thoughtful.**

And at the receiving end of a Ham Radio gift subscription, it's remembered all year long as a token of your friendship.

We have a super busy year planned for 1979, just take a look at a sampling of what your special Amateur friend(s) will see in their 12 big gift issues next year:

- Learn How to Digitize Your Hamshack
- Antenna Measurements From Celestial Sources
- New Approach for Measuring HF SWR
- 10 GHz Gunnplexer Transceiver by HR Editor W1HR
- PLUS HR's giant annual Antenna & Receiver issues

There's never been a better time to give than right now with the price increase set for January 1. Give now and SAVE!

Please use handy  
bind-in card.

**ham  
radio**  
magazine

Greenville, NH 03048

# ham radio cumulative index

## 1969-1978

### antennas and transmission lines

#### general

Antenna control, automatic azimuth/elevation for satellite communications  
WA3HLT p. 26, Jan 75  
Correction p. 58, Dec 75

Antenna dimension (HN)  
WA9JMY p. 66, Jun 70

Antennas and capture area  
K6MIO p. 42, Nov 69

Antenna and control-link calculations for repeater licensing  
W7PUG p. 58, Nov 73  
Short circuit p. 59, Dec 73

Antenna and feedline facts and fallacies  
W5JJ p. 24, May 73

Antenna design, programmable calculator simplifies (HN)  
W3DVO p. 70, May 74

Antenna gain (letter)  
W3AFM p. 62, May 76

Antenna gain, measuring  
K6JYO p. 26, Jul 69

Antenna wire, low-cost copper (HN)  
W2EUQ p. 73, Feb 77

Anti-QRM methods  
W3FQJ p. 50, May 71

Bridge for antenna measurements, simple  
W2CTK p. 34, Sep 70

Cubical quad measurements  
W4YM p. 42, Jan 69

Dipole center insulator (HN)  
WA1ABP p. 69, May 69

Diversity receiving system  
W2EY p. 12, Dec 71

Dummy load and rf wattmeter, low-power  
W2OLU p. 56, Apr 70

Dummy load, low-power vhf  
WB9DNI p. 40, Sep 73

Effective radiated power (HN)  
VE7CB p. 72, May 73

Feedpoint impedance characteristics of practical antennas  
W5JJ p. 50, Dec 73

Filters, low-pass, for 10 and 15  
W2EY p. 42, Jan 72

Gain calculations, simplified  
W1DTV p. 78, May 78

Gain vs antenna height, calculating  
WB8IFM p. 54, Nov 73

Gin pole, simple lever for raising masts  
WA2ANU p. 72, May 77

Ground screen, alternative to radials  
WBØJGP p. 22, May 77

Grounding, safer (letter)  
WA5KTC p. 59, May 72

Ground rods (letter)  
W7FS p. 66, May 71

Ground systems, vertical antenna  
W7LR p. 30, May 74

Headings, beam antenna  
W6FFC p. 64, Apr 71

Horizontal or vertical (HN)  
W7IV p. 62, Jun 72

Impedance measurements, nonresonant antenna  
W7CSD p. 46, Apr 74

Insulators, homemade antenna (HN)  
W7ZC p. 70, May 73

Isotropic source and practical antennas  
K6FD p. 32, May 70

Lightning protection (C&T)  
W1DTY p. 50, Jun 76

Line-of-sight distance, calculating  
WB5CBC p. 56, Nov 76

Measurement techniques for antennas and transmission lines  
W4OQ p. 36, May 74

Measuring antenna gain  
K6JYO p. 26, Jul 69

Mobile mount, rigid (HN)  
VE7ABK p. 69, Jan 73

Power in reflected waves  
Woods p. 49, Oct 71

Reflected power, some reflections on  
VE3AAZ p. 44, May 70

Reflectometers  
K1YZW p. 65, Dec 69

Rf power meter, low-level  
W5WGF p. 58, Oct 72

Sampling network, rf — the milli-trap  
W6QJW p. 34, Jan 73

Smith chart, how to use  
W1DTY p. 16, Nov 70  
Correction p. 76, Dec 71

Smith chart, numerical  
W8MQW p. 104, Mar 78

Standing-wave ratios, importance of  
W2HB p. 26, Jul 73  
Correction (letter) p. 67, May 74

Time-domain reflectometry, practical experimenter's approach  
WAØPIA p. 22, May 71

T-R switch  
K3KMO p. 61, Apr 69

Voltage-probe antenna  
W1DTY p. 20, Oct 70

#### high-frequency antennas

All band antenna portable (HN)  
W2INS p. 68, Jun 70

All-band phased-vertical  
WA7GXO p. 32, May 72

Antenna, 3.5 MHz, for a small lot  
W6AGX p. 28, May 73

Antenna potpourri  
W3FQJ p. 54, May 72

Antenna systems for 80 and 40 meters  
K6KA p. 55, Feb 70

Army loop antenna — revisited  
W3FQJ p. 59, Sep 71  
Added notes p. 64, Jan 72

Beam antenna, improved triangular shaped  
W6DL p. 20, May 70

Beam for ten meters, economical  
W1PFF p. 54, Mar 70

Beverage antenna  
W3FQJ p. 67, Dec 71

Bobtail curtain array  
W8YFB p. 81, May 77

Bobtail curtain array, forty-meter  
VE1TG p. 58, Jul 69

Coaxial dipole antenna, analysis of  
W2DU p. 46, Aug 76

Coaxial dipole, multiband (HN)  
W4BDK p. 71, May 73

Collinear, six-element, for  
WØYBF p. 22, May 76

Compact antennas for 20 meters  
W4ROS p. 38, May 71

Converted-vee, 80 and 40 meter  
W6JKR p. 18, Dec 69

Corner-fed loop, low frequency  
ZL1BN p. 30, Apr 76  
Installation modified p. 41, Feb 77

Cubical quad antenna design parameters  
K6OPZ p. 55, Aug 70

Cubical-quad antennas, mechanical design of  
VE3II p. 44, Oct 74

Cubical-quad antennas, unusual  
W1DTY p. 6, May 70

Cubical quad, improved low-profile, three band  
W1HXU p. 25, May 76

Cubical quad, three-band  
W1HXU p. 22, Jul 75

Curtain antenna (HN)  
W4ATE p. 66, May 72

Delta loop, top-loaded  
W1DTY p. 57, Dec 78

Dipole, all-band tuned  
ZS6BT p. 22, Oct 72

Dipole antennas on non-harmonic frequencies (HN)  
W2CTK p. 72, Mar 69

Dipole beam  
W3FQJ p. 56, Jun 74

Dipole pairs, low SWR  
W6FPO p. 42, Oct 72

Dipole sloping inverted-vee  
W6NIF p. 48, Feb 69

Double bi-square array  
W6FFF p. 32, May 71

Dual-band antennas, compact  
W6SAI p. 18, Mar 70

DX antenna, single-element  
W6FHM p. 52, Dec 72  
Performance (letter) p. 65, Oct 73

Four-band wire antenna  
W3FQJ p. 53, Aug 75

Ground-plane antenna: history and development  
K2FF p. 26, Jan 77

Ground-plane, multiband (HN)  
JA1QIY p. 62, May 71

Groundplane, three-band  
LA1EI p. 6, May 72  
Correction p. 91, Dec 72  
Footnote (letter) p. 65, Oct 72

High-frequency amateur antennas  
W2WLR p. 28, Apr 69

High-frequency diversity antennas  
W2WLR p. 28, Oct 69

Horizontal-antenna gain at selected vertical radiation angles  
W7LR p. 54, Feb 76

Horizontal antennas, optimum height for  
W7LR p. 40, Jun 74

Horizontal antennas, vertical radiation patterns  
WA9RQY p. 58, May 74

Inverted-vee antenna (letter)  
WB6AQF p. 66, May 71

Inverted-vee antenna, modified  
W2KTW p. 40, Oct 71

Inverted-vee installation, improved low-band (HN)  
W9KNI p. 68, May 76

Inverted V or delta loop, how to add to tower  
K4DJC p. 32, Jul 76

Large vertical, 160 and 80 meters  
W7IV p. 8, May 75

Log-periodic antenna, 14, 21 and 28 MHz  
W4AEO p. 18, Aug 73

Log-periodic antennas, 7-MHz  
W4AEO p. 16, May 73

Log-periodic antennas, feed system for  
W4AEO p. 30, Oct 74

Log periodic antennas, graphical design method for  
W4AEO p. 14, May 75

Log-periodic antennas, vertical monopole, 3.5 and 7.0 MHz  
W4AEO p. 44, Sep 73

Log-periodic beams, improved (letter)  
W4AEO p. 74, May 75

Log-periodic beam, 15 and 20 meters  
W4AEO p. 6, May 74

Log periodic feeds (letter)  
W4AEO p. 66, May 74

Log-periodic, three-band  
W4AEO p. 28, Sep 72

Longwire antenna, new design  
K4EF p. 10, May 77

Long-wire multiband antenna  
W3FQJ p. 28, Nov 69

Loop antennas  
W4OQ p. 18, Dec 76

Loop receiving antenna  
W2IMB p. 66, May 75  
Correction p. 58, Dec 75

Loop-yagi antennas  
VK2ZTB p. 30, May 76

Low-band antenna problem, solution to  
WEYFB p. 46, Jan 78

Low-mounted antennas  
W3FQJ p. 66, May 73

Mobile antenna, helically wound  
ZE6JP p. 40, Dec 72

Mobile color code (letter)  
WB6JFD p. 90, Jan 78

Mono-loop antenna (HN)  
W8BW p. 70, Sep 69

Multiband dipoles for portable use  
W6SAI p. 12, May 70

Multiband vertical antenna system  
WØNCU p. 28, May 78

Phased antenna (letter)  
Thacker, Jerry p. 6, Oct 78

Phased array, design your own  
K1AON p. 78, May 77

Phased array, electrically-controlled  
W5TRS p. 52, May 75

Phased vertical array, fine tuning  
W4FXE p. 46, May 77

Phased vertical array, four-element  
W8HXR p. 24, May 75

Quad antenna, modified  
ZF1MA p. 68, Sep 78

Quad antenna, multiband  
DJ4VM p. 41, Aug 69

Quad antenna repairs (HN)  
K9MM p. 87, May 78

Receiving antennas  
K6ZGQ p. 56, May 70

Satellite antenna, simple (HN)  
WA6PXY p. 59, Feb 75

Selective antenna system minimizes unwanted signals  
**W5TRS** p. 28, May 76

Selective receiving antennas  
**W5TRS** p. 20, May 78

Shunt-feed systems for grounded vertical radiators, how to design  
**W4OQ** p. 34, May 75

Simple antennas for 40 and 80  
**W5RUB** p. 16, Dec 72

Sloping dipoles  
**W5RUB** p. 19, Dec 72  
 Performance (letter) p. 76, May 73

Small-loop antennas  
**W4YOT** p. 36, May 72

Stressed quad (HN)  
**W5TIU** p. 40, Sep 78

Stub bandswitched antennas  
**W2EZY** p. 50, Jul 69

Suitcase antenna, high-frequency  
**VK5BI** p. 61, May 73

Tailoring your antenna, how to  
**KH6HDM** p. 34, May 73

Telephone-wire antenna (HN)  
**K9TBD** p. 70, May 76

Triangle antennas  
**W3FQJ** p. 56, Aug 71

Triangle antennas  
**W6KIW** p. 58, May 72

Triangle antennas (letter)  
**K4ZZV** p. 72, Nov 71

Triangle beams  
**W3FQJ** p. 70, Dec 71

Tuning aid for the sightless (HN)  
**W6VX** p. 83, Sep 76

Unidirectional antenna for the low-frequency bands  
**GW3NJY** p. 61, Jan 70

Vertical antenna radiation patterns  
**W7LR** p. 50, Apr 74

Vertical antenna, low-band  
**W4IYB** p. 70, Jul 72

Vertical antenna, portable  
**W8BNWL** p. 48, Jun 78

Vertical antenna, three-band  
**W9BQE** p. 44, May 74

Vertical antennas, improving performance of  
**K6FD** p. 54, Dec 74

Vertical antennas, performance characteristics  
**W7LR** p. 34, Mar 74

Vertical beam antenna, 80 meter  
**VE1TG** p. 26, May 70

Vertical dipole, gamma-loop-fed  
**W6SAI** p. 19, May 72

Vertical for 80 meters, top-loaded  
**W2MB** p. 20, Sep 71

Vertical radiators  
**W4OQ** p. 16, Apr 73

Vertical, top-loaded 80 meter  
**VE1TG** p. 48, Jun 69

Vertical-tower antenna system  
**W4OQ** p. 56, May 73

Windom antenna, four-band  
**W4VUO** p. 62, Jan 74  
 Correction (letter) p. 74, Sep 74

Windom antennas  
**K4KJ** p. 10, May 78

Windom antenna (letter)  
**K6KA** p. 6, Nov 78

Zapp antenna, extended  
**W6QVI** p. 48, Dec 73

ZL special antenna, understanding the  
**WA6TKT** p. 38, May 76

3.5-MHz phased horizontal array  
**K4JC** p. 56, May 77

3.5 MHz tree-mounted ground-plane  
**K2INA** p. 48, May 78

7-MHz antenna array  
**K7CW** p. 30, Aug 78

7 MHz rotary beam  
**W7DI** p. 34, Nov 78

7-MHz short vertical antenna  
**W8TYX** p. 60, Jun 77

14-MHz delta-loop array  
**N2GW** p. 16, Sep 78

160-meter loop, receiving  
**K6HTM** p. 46, May 74

160-meter vertical, shortened (HN)  
**W6VX** p. 72, May 76

160 meters with 40-meter vertical  
**W2IMB** p. 34, Oct 72

## vhf antennas

Antennas for satellite communications, simple  
**K4GSX** p. 24, May 74

Circularly-polarized ground-plane antenna for satellite communications  
**K4GSX** p. 28, Dec 74

Collinear antenna for two meters, nine-element  
**W6RJO** p. 12, May 72

Collinear antenna (letter)  
**W6SAI** p. 70, Oct 71

Collinear array for two meters, 4-element  
**WB6KGF** p. 6, May 71

Collinear antenna, four element 440-MHz  
**WA6HTP** p. 38, May 73

Collinear, six meter  
**K4ERO** p. 59, Nov 69

Converting low-band mobile antenna to 144-MHz (HN)  
**K7ARR** p. 90, May 77

Corner reflector antenna, 432 MHz  
**WA2FSQ** p. 24, Nov 71

Cubical quad, economy six-meter  
**W6DOR** p. 50, Apr 69

Feed horn, cylindrical, for parabolic reflectors  
**WA9HUV** p. 16, May 76

Ground plane, 2-meter, 0.7 wavelength  
**W3WZA** p. 40, Mar 69

Ground plane, portable vhf (HN)  
**K9DHD** p. 71, May 73

Log-periodic, yagi beam  
**K6RIL, W6SAI** p. 8, Jul 69  
 Correction p. 68, Feb 70

Magnet-mount antenna, portable (HN)  
**WB2YYU** p. 67, May 76

Magnetic mount for mobile antennas  
**WØHK** p. 52, Nov 78

Matching techniques for vhf/uhf antennas  
**W1JAA** p. 50, Jul 76

Microwave antenna, Low-cost  
**K6HIJ** p. 52, Nov 69

Mobile antenna, magnet-mount  
**W1HCI** p. 54, Sep 75

Mobile antenna, six-meter (HN)  
**W4PSJ** p. 77, Oct 70

Mobile antennas, vhf, comparison of  
**W4MNV** p. 52, May 77

Moonbounce antenna, practical 144-MHz  
**K6HCP** p. 52, May 70

Multiband J antenna  
**WB6JPI** p. 74, Jul 78

Oscar antenna, mobile (HN)  
**W6OAL** p. 67, May 76

Oscar az-el antenna system  
**WA1NXP** p. 70, May 78

Parabolic reflector antennas  
**VK3ATN** p. 12, May 74

Parabolic reflector element spacing  
**WA9HUV** p. 28, May 75

Parabolic reflector gain  
**W2TQK** p. 50, Jul 75

Parabolic reflectors, finding the focal length (HN)  
**WA4WDL** p. 57, Mar 74

Parabolic reflector, 16-foot homebrew  
**WB6IOM** p. 8, Aug 69

Quad-yagi arrays, 432- and 1296-MHz  
**W3AED** p. 20, May 73  
 Short circuit p. 58, Dec 73

Simple antennas, 144-MHz  
**WA3NFW** p. 30, May 73

Switch, antenna for 2 meters, solid-state  
**K2ZSQ** p. 48, May 69

Two-meter fm antenna (HN)  
**WB6KYE** p. 64, May 71

Vertical antennas, truth about  $\frac{1}{8}$ -wavelength  
**KØDOK** p. 48, May 74  
 Added note (letter) p. 54, Jan 75

Whip, 5/8-wave, 144 MHz (HN)  
**VE3DDD** p. 70, Apr 73

Yagi antennas, how to design  
**W1JR** p. 22, Aug 77

Yagi, 1296-MHz  
**W2CQH** p. 24, May 72

7-MHz attic antenna (HN)  
**W2ISL** p. 68, May 76

10-GHz dielectric antenna (HN)  
**WA4WDL** p. 80, May 75

144-MHz vertical,  $\frac{1}{8}$ -wavelength  
**K6KLO** p. 40, Jul 74

144-MHz antenna,  $\frac{1}{8}$ -wavelength built from CB mobile whip (HN)  
**WB4WSU** p. 67, Jun 74

144-MHz colinear uses PVC pipe mast (HN)  
**K8LLZ** p. 66, May 76

144-MHz mobile antenna (HN)  
**W2EUQ** p. 80, Mar 77

144-MHz vertical mobile antennas,  $\frac{1}{4}$  and  $\frac{1}{8}$  wavelength, test data on  
**W2LTJ, W2CQH** p. 46, May 76

144-MHz,  $\frac{1}{8}$ -wavelength vertical  
**W1RHN** p. 50, Mar 76

144-MHz,  $\frac{1}{8}$ -wavelength, vertical antenna for mobile  
**K4LPQ** p. 42, May 76

432-MHz high-gain Yagi  
**K6HCP** p. 46, Jan 76  
 Comments, WØPW p. 63, May 76

432-MHz OSCAR antenna (HN)  
**W1JAA** p. 58, Jul 75

1296-MHz antenna, high-gain  
**W3AED** p. 74, May 78

1296-MHz Yagi array  
**W3AED** p. 40, May 75

## matching and tuning

Antenna bridge calculations  
 Anderson, Leonard H. p. 34, May 78

Antenna bridge calculations (letter)  
**W5QJR** p. 6, Aug 78

Antenna coupler for three-band beams  
**ZS6BT** p. 42, May 72

Antenna coupler, six-meter  
**K1RAK** p. 44, Jul 71

Antenna impedance transformer for receivers (HN)  
**W6NIF** p. 70, Jan 70

Antenna instrumentation, simple, (repair bench)  
**K4IPV** p. 71, Jul 77

Antenna matcher, one-man  
**W4SD** p. 24, Jun 71

Antenna tuner adjustment (HN)  
**WA4MTH** p. 53, Dec 75

Antenna tuner, automatic  
**WAØAQC** p. 36, Nov 72

Antenna tuner, medium-power toroidal  
**WB2ZSH** p. 58, Jan 74

Antenna tuner for optimum power transfer  
**W2WLR** p. 28, May 70

Antenna tuners  
**W3FQJ** p. 58, Dec 72

Antenna tuning units  
**W3FQJ** p. 58, Jan 73

Balun, adjustable for yagi antennas  
**W6SAI** p. 14, May 71

Balun, Simplified (HN)  
**WAØKKC** p. 73, Oct 69

Broadband balun, simple and efficient  
**W1JR** p. 12, Sep 78

Couplers, random-length antenna  
**W2EZY** p. 32, Jan 70

Dummy loads  
**W4MB** p. 40, Mar 76

Feeding and matching techniques for vhf/uhf antennas  
**W1JAA** p. 54, May 76

Gamma-match capacitor, remotely controlled  
**K2BT** p. 74, May 75

Gamma-matching networks, how to design  
**W7ITB** p. 46, May 73

Impedance bridge, low-cost RX  
**W8YFB** p. 6, May 73

Impedance-matching baluns, open-wire  
**W6MUR** p. 46, Nov 73

Impedance-matching systems, designing  
**W7CSD** p. 58, Jul 73

Loads, affect of mismatched transmitter  
**W5JJ** p. 60, Sep 69

Matching, antenna, two-band with stubs  
**W6MUR** p. 18, Oct 73

Matching system, two-capacitor  
**W6MUR** p. 58, Sep 73

Matching transformers, multiple quarter-wave  
**K3BY** p. 44, Nov 78

Measuring complex impedance with swr bridge  
**WB4KSS** p. 46, May 75

Mobile transmitter, loading  
**W4YB** p. 46, May 72

RX noise bridge, improvements to  
**W6BXI, W6NKKU** p. 10, Feb 77  
 Comments p. 100, Sep 77

Noise bridge construction (letter)  
**OH2ZAZ** p. 8, Sep 78

Noise bridge, antenna  
**WB2EGZ** p. 18, Dec 70

Noise bridge, antenna (HN)  
**K8EEG** p. 71, May 74

Noise bridge calculations with TI 58/59 calculators  
**WØ4GRI** p. 45, May 78

Noise bridge for impedance measurements  
**YA1GJM** p. 62, Jan 73  
 Added notes p. 66, May 74; p. 60, Mar 75

Omega-matching networks, design of  
**W7ITB** p. 54, May 78

Phase meter, rf  
**VE2AYU, Korth** p. 28, Apr 73

Quadrifilar toroid (HN)  
**W9LL** p. 52, Dec 75

Stub-switched, stub-matched antennas  
**W2EZY** p. 34, Jan 69

Swr alarm circuits  
**W2EZY** p. 73, Apr 70

Swr bridge  
**WB2ZSH** p. 55, Oct 71

Swr bridge and power meter, integrated  
**W6DOB** p. 40, May 70

Swr bridge readings (HN)  
**W6FPO** p. 63, Aug 73

Swr indicator, aural, for the visually handicapped  
**K6HTM** p. 52, May 76

Swr meter  
**WB6AFT** p. 68, Nov 78

Swr meter  
**W6VSV** p. 6, Oct 70

Swr meter, improving (HN)  
**W5NPD** p. 68, May 76

T-Network impedance matching to coaxial feedlines  
**W6EBY** p. 22, Sep 78

Transmatch, five-to-one  
**W7IV** p. 54, May 74

Transmission lines, grid dipping (HN)  
**W2OLU** p. 72, Feb 71

Transmission lines, uhf  
**WA2VTR** p. 36, May 71

Uhf coax connectors (HN)  
**WØLCP** p. 70, Sep 72

## towers and rotators

- Antenna and rotator preventive maintenance  
WA1ABP p. 66, Jan 69
- Antenna and tower restrictions  
W7IV p. 24, Jan 76
- Antenna guys and structural solutions  
W6RTK p. 33, Jun 78
- Antenna mast, build your own tilt-over  
W6KRT p. 42, Feb 70  
Correction p. 76, Sep 70
- Az-el antenna mount for satellite communications  
W2LX p. 34, Mar 75
- Cornell-Dubilier rotators (HN)  
K6KA p. 82, May 75
- Ham-M modifications (HN)  
W2TQK p. 72, May 76
- Ham-M rotator automatic position  
WB6GNM p. 42, May 77
- Pipe antenna masts, design data for  
W3MR p. 52, Sep 74  
Added design notes (letter) p. 75, May 75
- Rotator, AR-22, fixing a sticky  
WA1ABP p. 34, Jun 71
- Rotator for medium-sized beams  
K2BT p. 48, May 76
- Rotator, T-45, Improvement (HN)  
WAØVAM p. 64, Sep 71
- Stress analysis of antenna systems  
W2FZJ p. 23, Oct 71
- Telescoping tv masts (HN)  
WAØKKC p. 57, Feb 73
- Tilt-over tower uses extension ladder  
W5TRS p. 71, May 75
- Tower guying (HN)  
K9MM p. 98, Nov 77
- Tower, homemade tilt-over  
WA3EWH p. 28, May 71
- Tower, wind-protected crank-up (HN)  
p. 74, Oct 69
- Towers and rotators  
K6KA p. 34, May 76
- Wind loading on towers and antenna structures, how to calculate  
K4KJ p. 16, Aug 74  
Added note p. 56, Jul 75

## transmission lines

- Antenna-transmission line analog, part 1  
W6UYH p. 52, Apr 77
- Antenna-transmission line analog, part 2  
W6UYH p. 29, May 77
- Balun, coaxial  
WAØRDX p. 26, May 77
- Coax cable dehumidifier  
K4RJ p. 26, Sep 73
- Coax connectors, repairing broken (HN)  
WØHKF p. 66, Jun 70
- Coaxial cable (C&T)  
W1DITY p. 50, Jun 76
- Coaxial cable, checking (letter)  
W2OLU p. 68, May 71
- Coaxial cable connectors (HN)  
WA1ABP p. 71, Mar 69
- Coaxial-cable fittings, type-F  
K2MDO p. 44, May 71
- Coaxial connectors can generate rfi  
W1DITY p. 48, Jun 76
- Coaxial feedthrough panel (HN)  
W3URE p. 70, Apr 69
- Coaxial-line loss, measuring with reflectometer  
W2VCI p. 50, May 72
- Coax, Low-cost (HN)  
K6BIJ p. 74, Oct 69
- Coaxial transmission lines, underground  
WØFCH p. 38, May 70
- Impedance transformer, non-synchronous (HN)  
W5TRS p. 66, Sep 75  
Comments, W3DVO p. 63, May 76
- Matching transformers, multiple quarter-wave  
K3BY p. 44, Nov 78
- Open-wire feedthrough insulator (HN)  
W4RNL p. 79, May 75
- Remote switching multiband antennas  
G3LTZ p. 68, May 77
- Single feedline for multiple antennas  
K2ISP p. 58, May 71
- Transmission line calculations, using your pocket calculator for  
W5TRS p. 40, Nov 76
- Transmit/receive switch, solid-state vhf-uhf  
W4NHH p. 54, Feb 78
- Tuner, receiver (HN)  
WA7KRE p. 72, Mar 69
- Tuner, wall-to-wall antenna (HN)  
W2OUX p. 56, Dec 70
- Uhf microstrip swr bridge  
W4CGC p. 22, Dec 72
- VSWR indicator, computing  
WB9CYY p. 58, Jan 77  
short circuit p. 94, May 77
- Zip-cord feedlines (HN)  
W7RXV p. 32, Apr 78

- Zip-cord feedlines (letter)  
WB6BHI p. 6, Oct 78
- 75-ohm CATV cable in amateur installations  
W7VK p. 28, Sep 78
- 75-ohm CATV hardline matching to 50-ohm systems  
K1XX p. 31, Sep 78

## audio

- Active filters  
K6JM p. 70, Feb 78
- Audio agc principles and practice  
WASSNZ p. 28, Jun 71
- Audio CW filter  
W7DI p. 54, Nov 71
- Audio filter, tunable, for weak-signal communications  
K6HCP p. 28, Nov 75
- Audio filters, aligning (HN)  
W4ATE p. 72, Aug 72
- Audio filters, inexpensive  
W8YFB p. 24, Aug 72
- Audio filter mod (HN)  
K6HIL p. 60, Jan 72
- Audio mixer (HN)  
W6KNE p. 66, Nov 76
- Audio module, a complete  
K4DHC p. 18, Jun 73
- Audio-oscillator module, Cordover  
WB2GQY p. 44, Mar 71  
Correction p. 80, Dec 71
- Audio-power integrated circuits  
W3FQJ p. 64, Jan 76
- Audio transducer (HN)  
WA1OPN p. 59, Jul 75
- Binaural CW reception, synthesizer for  
W6NRW p. 46, Nov 75  
Comment p. 77, Feb 77
- Distortion and splatter  
K5LLI p. 44, Dec 70
- Dynamic microphones (C&T)  
W1DITY p. 46, Jun 76
- Filter for CW, tunable audio  
WA1JSM p. 34, Aug 70
- Filter-frequency translator for cw reception, integrated audio  
W2EEY p. 24, Jun 70
- Filter, lowpass audio, simple  
OD5CG p. 54, Jan 74
- Filter, simple audio  
W4NVK p. 44, Oct 70
- Filter, tunable peak-notch audio  
W2EEY p. 22, Mar 70
- Filter, variable bandpass audio  
W3AEX p. 36, Apr 70
- Gain control IC for audio signal processing  
Jung p. 47, Jul 77
- Hang agc circuit for ssb and CW  
W1ERG p. 40, Sep 72
- Headphone cords (HN)  
W2OLU p. 62, Nov 75
- Impedance match, microphone (HN)  
W5JJ p. 67, Sep 73
- Increased flexibility for the MFJ Enterprises CW filters  
K3NEZ p. 58, Dec 76
- Intercom, simple (HN)  
W4AYV p. 66, Jul 72
- Microphone preamplifier with agc  
Bryant p. 28, Nov 71
- Microphone, using Shure 401A with the Drake TR-4 (HN)  
G3XOM p. 68, Sep 73
- Microphones, muting (HN)  
W6IL p. 63, Nov 75
- Notch filter, tunable RC  
WASSNZ p. 16, Sep 75  
Comment p. 78, Apr 77
- Oscillator, audio, IC  
W6GXN p. 50, Feb 73
- Oscillator-monitor, solid-state audio  
WA1JSM p. 48, Sep 70
- Phone patch  
W8GRG p. 20, Jul 71
- Pre-emphasis for ssb transmitters  
OH2CD p. 38, Feb 72
- RC active filters using op amps  
W4IYB p. 54, Oct 76
- RC active filters (letter)  
W6NRM p. 102, Jun 78
- Receivers, better audio for  
K7GCO p. 74, Apr 77
- Rf clipper for the Collins S-line  
K6JYO p. 18, Aug 71
- Rf speech processor, ssb  
W2MB p. 18, Sep 73
- Speaker-driver module, IC  
WA2GCF p. 24, Sep 72
- Speech amplifiers, curing distortion  
Allen p. 42, Aug 70
- Speech clipper, IC  
K6HTM p. 18, Feb 73  
Added notes (letter) p. 64, Oct 73
- Speech clippers, rf  
G6XN p. 26, Nov; p. 12, Dec 72  
Added notes p. 58, Aug 73; p. 72, Sep 74

- Speech clipping in single-sideband equipment  
K1YZW p. 22, Feb 71
- Speech clipping (letter)  
W3EJD p. 72, Jul 72
- Speech compressor (HN)  
Novotny p. 70, Feb 76
- Speech processing, principles of  
ZL1BN p. 28, Feb 75  
Added notes p. 75, May 75; p. 64, Nov 75
- Speech processing technique, split audio band  
W1DITY p. 30, Jun 76
- Speech processor, audio-frequency  
K3PDW p. 48, Aug 77  
Short circuit p. 68, Dec 77
- Speech processor for ssb, simple  
K6PHT p. 22, Apr 70
- Speech processor, IC  
VK9GN p. 31, Dec 71
- Speech processor, logarithmic  
WA3FIY p. 38, Jan 70
- Speech systems, improving  
K2PMA p. 72, Apr 78
- RC active filters using op amps  
W4IYB p. 54, Oct 76
- Squelch, audio-actuated  
K4MOG p. 52, Apr 72
- Synthesizer-filter, binaural  
W6NRW p. 52, Nov 76
- Tape head cleaners (letter)  
K4MSG p. 62, May 72
- Tape head cleaning (letter)  
Buchanan p. 67, Oct 72
- Voice-operated gate for carbon microphones  
W6GXN p. 35, Dec 77

## commercial equipment

- Alliance rotator improvement (HN)  
K6JVE p. 68, May 72
- Alliance T-45 rotator Improvement (HN)  
WAØVAM p. 64, Sep 71
- Atlas 180, improved vfo stability (HN)  
K6KLO p. 73, Dec 77
- CDR AR-22 rotator, fixing a sticky  
WA1ABP p. 34, Jun 71
- Cleanup tips for amateur equipment (HN)  
Fisher p. 49, Jun 78
- Clegg 27B, S-meter for (HN)  
WA2YUD p. 61, Nov 74
- Collins KWM-2/KWM-2A modifications (HN)  
W6SAI p. 80, Aug 76
- Collins KWM2 transceivers, improved reliability (HN)  
W6SAI p. 81, Jun 77
- Collins R390 rf transformers, repairing (HN)  
WA2SUT p. 81, Aug 76
- Collins receivers, 300-Hz crystal filter for  
W1DITY p. 58, Sep 75
- 300-Hz crystal filter for Collins receivers  
W1DITY p. 58, Sep 75
- 300-Hz crystal filter for Collins receivers  
W1DITY p. 58, Sep 75
- 300-Hz crystal filter for Collins receivers (letter)  
G3UFZ p. 90, Jan 78
- Collins S-line, improved frequency readout for the  
W1GFC p. 53, Jun 76
- Collins S-line power supply mod (HN)  
W6IL p. 61, Jul 74
- Collins S-line receivers, improved selectivity  
W6FR p. 36, Jun 76
- Collins S-line, reducing warm-up drift  
W6VFR p. 46, Jun 75
- Collins S-line, rf clipper for  
K6JYO p. 18, Aug 71  
Correction p. 80, Dec 71
- Collins S-line spinner knob (HN)  
W6VFR p. 69, Apr 72
- Collins S-line, syllabic vox system for  
WØIP p. 29, Oct 77
- Collins S-line transceiver mod (HN)  
W6VFR p. 71, Nov 72
- Collins 32S-series ALC meter improvement (HN)  
W6FR p. 100, Nov 77
- Collins 32S-3 audio (HN)  
K6KA p. 64, Oct 71
- Collins 32S-1 CW modification (HN)  
W1DITY p. 82, Dec 69  
Correction p. 76, Sep 70
- Collins 32S-1, updating  
N1FB p. 76, Dec 78
- Collins 51J, modifying for ssb reception  
W6SAI p. 66, Feb 78
- Collins 51J product detector (letter)  
K5CE p. 6, Oct 78
- Collins 51J PTO restoration  
W6SAI p. 36, Dec 69
- Collins 70E12 PTO repair (HN)  
W6BIH p. 72, Feb 77
- Collins 70K-2 PTO, correcting mechanical backlash (HN)  
K9WEH p. 58, Feb 75
- Collins 75A4 avc mod (letter)  
W9KNI p. 63, Sep 75
- Collins 75A4 hints (HN)  
W6VFR p. 68, Apr 72

Collins 75A4, increased selectivity for (HN)	WIDTY	p. 62, Nov 75
Collins 75A-4 modifications (HN)	W4SD	p. 67, Jan 71
Collins 75A4 noise limiter	WIDTY	p. 43, Apr 76
Collins 75A4 PTO, making it perform like new	W3AFM	p. 24, Dec 74
Collins 75A-4 receiver, improving overload response in	W6ZO	p. 42, Apr 70
Short circuit		p. 76, Sep 70
Collins 75S frequency synthesizer	W6NBI	p. 8, Dec 75
Short circuit		p. 85, Oct 76
Collins 75S receiver, (HN)	N1FB	p. 94, Oct 78
Collins 75S-series crystal adapter (HN)	K1KXA	p. 72, Feb 77
Collins R-388(51J), inter-band calibration stability (HN)	W5OZF	p. 95, Sep 77
Collins R390A, improving the product detector	W7DI	p. 12, Jul 74
Collins R390A modifications	WA2SUT	p. 58, Nov 75
Collins R392, improved ssb reception with (HN)	VE3LF	p. 88, Jul 77
Comdel speech processor, increasing the versatility of (HN)	W6SAI	p. 67, Mar 71
Cornell-Dubilier rotators (HN)	K6KA	p. 82, May 75
Drake gear, simple tune-up (HN)	W7DIM	p. 79, Jan 77
Drake R-4 receiver frequency synthesizer for	W6NBI	p. 6, Aug 72
Modification (letter)		p. 74, Sep 74
Drake R-4C, cleaner audio for (HN)	K1FO	p. 88, Nov 78
Drake R-4C, electronic bandpass tuning in	Horner	p. 58, Oct 73
Drake R-4C, new product detector for (HN)	WBØJGP	p. 94, Oct 78
Drake TR-4, using the Shure 401A microphone with (HN)	G3XOM	p. 68, Sep 73
Elmac chirp and drift (HN)	W5OZF	p. 68, Jun 70
Feedline loss, calculating with a single measurement at the transmitter (HN)	K9MM	p. 96, Jun 78
Galaxy feedback (HN)	WA5TFK	p. 71, Jan 70
Genave transceivers, S-meter for (HN)	K9OXX	p. 80, Mar 77
Halicrafters HT-37, increased sideband suppression	W3CM	p. 48, Nov 69
Ham-M modification (HN)	W2TQK	p. 72, May 76
Ham-M rotator automatic position control	WB6GNN	p. 42, May 77
Hammarlund HQ215, adding 160-meter coverage	W2GHK	p. 32, Jan 72
Heath HD-10 keyer, positive lead keying (HN)	W4VAF	p. 88, Nov 78
Heath HD-1982 Micoder for low-impedance operation	Johnson, Wesley	p. 86, May 78
Heath HG-10B vfo, independent keying of (HN)	K4BRR	p. 67, Sep 70
Heath HM-2102 wattmeter, better balancing (HN)	VE6RF	p. 56, Jan 75
Heath HM 2102 vhf wattmeter, high power calibration for (HN)	W9TKR	p. 70, Feb 76
Heath HM-2102 wattmeter mods (letter)	K3VNR	p. 64, Sep 75
Heath HO-10 as RTTY monitor scope (HN)	K9HVV	p. 70, Sep 74
Heath HR-2B external speaker and tone pad (HN)	N1FB	p. 89, Nov 78
Heath HW-7 mods, keying and receiver blanking (HN)	WA5KPG	p. 60, Dec 74
Heath HW-12 on MARS (HN)	K8AUH	p. 63, Sep 71
Heath HW-16 keying (HN)	W7DI	p. 57, Dec 73
Heath HW-16, low-impedance headphones for (HN)	WN8WJR	p. 88, Jul 77
Heath HW16, vfo operations for	WB6MZN	p. 54, Mar 73
Short circuit		p. 58, Dec 73
Heath HW-17A, perking up (HN)		p. 70, Aug 70
Heath HW-17 modifications (HN)	WA5PWX	p. 66, Mar 71
Heath HW-100, HW-101, grid-current monitor for	K4MFR	p. 46, Feb 73
Heath HW-100 incremental tuning (HN)	K1GUU	p. 67, Jun 69
Heath HW-100 tuning knob, loose (HN)	VE3EY	p. 68, Jun 71
Heath HW-101, using with a separate receiver (HN)	WA1MKP	p. 63, Oct 73
Heath HW-202, adding private-line	WA8AWJ	p. 53, Jun 74
Heath HW-202, another look at the fm channel scanner for	K7PYS	p. 68, Mar 76
Heath HW-202 lamp replacement (HN)	W5UNF	p. 83, Sep 76
Heath HW2036; Lever action switch illumination (HN)	W2IFR	p. 99, Jul 78
Heath HW2036, outboard LED frequency display	WB8TJL	p. 50, Jul 78
Heath HWA-2036-3 crowbar circuit (HN)	W3HCE	p. 88, Nov 78
Heath IM-11 vtvm, convert to IC voltmeter	K6VCI	p. 42, Dec 74
Heath intrusion alarm (HN)	Rossman	p. 81, Jun 77
Heath Micoder improvements	W1OLP	p. 42, Nov 78
Heath Micoder matching (letter)	WB8VUN	p. 8, Sep 78
Heath SB-100, using an outboard receiver with (HN)	K4GMR	p. 68, Feb 70
Heath SB-102 headphone operation (HN)	K1KXA	p. 87, Oct 77
Heath SB102 modifications (HN)	W2CNQ	p. 58, Jun 75
Heath SB-102 modifications (HN)	W2CNQ	p. 79, Mar 77
Heath SB-102 modifications (HN)	W2CNQ	p. 78, Mar 77
Heath SB-102 modifications (letter)	W1JE	p. 110, Mar 78
Heath SB-102, rf speech processor for	W6IVI	p. 38, Jun 75
Heath SB-102, receiver incremental tuning for (HN)	K1KXA	p. 81, Aug 76
Heath SB-102, WWV on (HN)	K1KXA	p. 78, Jan 77
Heath SB-200 amplifier, modifying for the 8873 zero-bias triode	W6UOV	p. 32, Jan 71
Heath SB-200 amplifier, six-meter conversion	K1RAK	p. 38, Nov 71
Heath SB200 CW modification	K6YB	p. 99, Nov 77
Heath SB-303, 10-MHz coverage for (HN)	W1JE	p. 61, Feb 74
Heath SB-400 and SB-401, improving alc response in (HN)	WA9FDQ	p. 71, Jan 70
Heath SB-610 as RTTY monitor scope (HN)	K9HVV	p. 70, Sep 74
Heath SB-650 using with other receivers	K2BYM	p. 40, Jun 73
Heath SB receivers, RTTY reception with (HN)	K9HVV	p. 64, Oct 71
Heath SB-series crystal control and narrow shift RTTY with (HN)	WA4VVL	p. 54, Jun 73
Heathkit SB-series equipment, heterodyne crystal switching (HN)	K1KXA	p. 78, Mar 77
Heath ten-minute timer	K6KA	p. 75, Dec 71
Heathkit Sixer, spot switch (HN)	WA6FNR	p. 84, Dec 69
Heathkit, noise limiter for (HN)	W7CKH	p. 67, Mar 71
Heathkit HW202, fm channel scanner for	W7BZ	p. 41, Feb 75
Henry 2K4 and 3KA linears, electronic bias switching	W1CBY	p. 75, Aug 78
Hy-Gain 400 rotator, improved indicator system for	W4PJS	p. 60, May 78
HP-35 calculator, keyboard cleaning (HN)	Anderson, Leonard H.	p. 40, Jul 78
ICOM-22A wiring change (HN)	K1KXA	p. 73, Feb 77
Icom IC-230, adding splinter channels (HN)	WA1OJX	p. 82, Sep 76
ICs, drilling template for (HN)	WA4WDL, WB4LJM	p. 78, Mar 77
Kenwood TR7500, preprogramming (HN)	W9KNI	p. 95, Oct 78
Kenwood TS-520 CW filter modification (HN)	W7ZZ	p. 21, Nov 75
Kenwood TS-520, TVI cure for (HN)	W3FUN	p. 78, Jan 77
Knight-kit inverter/charger review	W1DTY	p. 64, Apr 69
Knight-kit two-meter transceiver	W1DTY	p. 62, Jun 70
Measurements Corporation 59 grid-dip oscillator improvements	W6GXN	p. 82, Nov 78
Micro Mart RM terminal modification (HN)	WA5VQK	p. 99, Jun 78
Mini-mitter II	W6SLQ	p. 72, Dec 71
Mini-mitter II modifications (HN)	K1ETU	p. 64, Apr 76
Motorola channel elements	WB4NEX	p. 32, Dec 72
Motorola Dispatcher, converting to 12 volts	WB6HXU	p. 26, Jul 72
Short circuit		p. 64, Mar 74
Motorola fm receiver mods (HN)	VE4RE	p. 60, Aug 71
Motorola P-33 series, improving	WB2AEB	p. 34, Feb 71
Motorola receivers, op-amp relay for	W6GDO	p. 16, Jul 73
Motorola voice commander, improving	WØDKU	p. 70, Oct 70
Motrac Receivers (letter)	K5ZBA	p. 69, Jul 71
National NCL-2000, using the Drake T-4XC (HN)	K5ER	p. 94, Jan 78
Regency HR transceivers, signal-peaking indicator and generator for (HN)	W8HVG	p. 68, Jun 76
Regency HR-2, narrowbanding	WA8TMP	p. 44, Dec 73
Regency HR-212, channel scanner for	WAØSJK	p. 28, Mar 75
R-392 receiver mods (HN)	KH6FOX	p. 65, Apr 76
SBE linear implifier tips (HN)	WA6DCW	p. 71, Mar 69
SB301/401, Improved sidetone operation	W1WLZ	p. 73, Oct 69
Signal One review	W1NLB	p. 56, May 69
Spurious causes (HN)	K6KA	p. 66, Jan 74
Standard 826M, more power from (HN)	WB6KVF	p. 68, Apr 75
Swan television interference: an effective remedy	W2OUX	p. 46, Apr 71
Swan 160X birdie suppression (HN)	W6SAI	p. 36, Oct 78
Swan 250 Carrier suppression (HN)	WB8LGA	p. 79, Oct 76
Swan 350 CW monitor (HN)	K1KXA	p. 63, Jun 72
Correction (letter)		p. 77, May 73
Swan 350, receiver incremental tuning (HN)	K1KXA	p. 64, Jul 71
Swan 350 and 400, RTTY operation (HN)	WB2MIC	p. 67, Aug 69
Swan 250, update your (HN)	K8ZHZ	p. 84, Dec 69
Telefax transceiver conversion	KØQMR	p. 16, Apr 74
Ten-Tec Argonaut, accessory package for	W7BBX	p. 26, Apr 74
Ten-Tec KR-20 keyer, stabilization of (HN)	W3CRG	p. 69, Jul 76
Ten-Tec RX10 communicators receiver	W1NLB	p. 63, Jun 71
T150A frequency stability (HN)	WB2MCP	p. 70, Apr 69
Yaesu sideband switching (HN)	W2MUU	p. 56, Dec 73
Yaesu spurious signals (HN)	K6KA	p. 69, Dec 71
Units affected (letter)		p. 67, Oct 73
Yaesu FT101 clarifier (letter)	K1NUN	p. 55, Nov 75

## construction techniques

AC line cords (letter)	W6EG	p. 80, Dec 71
Aluminum tubing, clamping (HN)	WA9HUV	p. 78, May 75
Antenna insulators, homemade (HN)	W7ZC	p. 70, May 73
APC trimmer, adding shaft to (HN)	W1ETT	p. 68, Jul 69
Blower-to-chassis adapter (HN)	K6JYO	p. 73, Feb 71
BNC connectors, mounting (HN)	W9KXJ	p. 70, Jan 70
Capacitors, custom, how to make	WBØESV	p. 36, Feb 77
Capacitors, oil-filled (HN)	W2OLU	p. 66, Dec 72
Center insulator, dipole	WA1ABP	p. 69, May 69
Circuit boards with terminal inserts	W3KBM	p. 61, Nov 75
Coaxial cable connectors (HN)	WA1ABP	p. 71, Mar 69
Coax connectors, repairing broken (HN)	WØHKF	p. 66, Jun 70
Coax relay coils, another use (HN)	KØVQY	p. 72, Aug 69
Coils, self-supporting	Anderson	p. 42, Jul 77
Cold galvanizing compound (HN)	W5UNF	p. 70, Sep 72

Color coding parts (HN)	
WA7BPO	p. 58, Feb 72
Component marking (HN)	
W1JE	p. 66, Nov 71
Drill guide (HN)	
W5BVF	p. 68, Oct 71
Drilling aluminum (HN)	
W6IL	p. 67, Sep 75
Enclosures, homebrew custom	
W4YUU	p. 50, Jul 74
Etch tank (HN)	
W3HUC	p. 79, Jan 77
Exploding diodes (HN)	
VE3FEZ	p. 57, Dec 73
Ferrite beads	
W5JJ	p. 48, Oct 70
Files, cleaning (HN)	
Walton	p. 66, Jun 74
Ferrite beads, how to use	
K1ORV	p. 34, Mar 73
Grounding (HN)	
W9KXJ	p. 67, Jun 69
Heat sinks, homemade (HN)	
WA2WOZ	p. 69, Sep 70
Homebrew art	
W2PEM	p. 56, Jun 69
Hot etching (HN)	
K8EKG	p. 66, Jan 73
Hot wire stripper (HN)	
W8DWT	p. 67, Nov 71
IC holders (HN)	
W3HUC	p. 80, Aug 76
IC lead former (HN)	
W5ICV	p. 67, Jan 74
Indicator circuit, LED	
WB6AFT	p. 60, Apr 77
Inductance, toroidal coil (HN)	
W3WLX	p. 26, Sep 75
Inductors, graphical aid for winding	
W7POG	p. 41, Apr 77
Magnetic fields and the 7360 (HN)	
W7DI	p. 66, Sep 73
Metric conversions for screw and wire sizes	
W1DTY	p. 67, Sep 75
Microcircuits, visual aids for working on	
K9SRL	p. 90, Jul 78
Miniature sockets (HN)	
Lawyer	p. 84, Dec 69
Minibox, cutting down to size (HN)	
W2OUX	p. 57, Mar 74
Mobile installation, putting together	
W2FCH	p. 36, Aug 69
Mobile mount bracket (HN)	
W4N1F	p. 70, Feb 70
Modular converter, 144-MHz	
W6UOV	p. 64, Oct 70
Neutralizing tip (HN)	
ZE6JP	p. 69, Dec 72
Noisy fans (HN)	
W8IUF	p. 70, Nov 72
Correction (letter)	p. 67, Oct 73
Nuvistor heat sinks (HN)	
WA2KKC	p. 57, Dec 73
Parasitic suppressor (HN)	
WA9JMY	p. 80, Apr 70
Printed-circuit boards, cleaning (HN)	
W5BVF	p. 66, Mar 71
Printed-circuit boards, how to clean	
K2PMA	p. 56, Sep 76
Printed-circuit boards, how to make	
K4EEU	p. 58, Apr 73
Printed-circuit boards, low-cost	
W6CMQ	p. 44, Aug 71
Printed-circuit boards, low-cost	
W8YFB	p. 16, Jan 75
Printed-circuit boards, practical photofabrication of	
Hutchinson	p. 6, Sep 71
Printed-circuit labels (HN)	
WA4WDK	p. 76, Oct 70
PC layout using longhand	
WB9QZE	p. 26, Nov 78
Printed-circuit standards (HN)	
W6JVE	p. 58, Apr 74
Printed-circuit tool (HN)	
W2GZ	p. 74, May 73
Printed-circuits, simple method for (HN)	
W4MTD	p. 51, Apr 78
Printed circuits without printing	
W4ZG	p. 62, Nov 70
Rack construction, a new approach	
K1EUJ	p. 36, Mar 70
Rectifier terminal strip (HN)	
W5PKK	p. 80, Apr 70
Rejuvenating transmitting tubes with Thoriated-tungsten filaments (HN)	
W6N1F	p. 80, Aug 78
Restoring panel lettering (HN)	
W8CL	p. 69, Jan 73
Screwdriver, adjustment (HN)	
WA2KGS	p. 66, Jan 71
Silver plating (letters)	
WA2AGD	p. 94, Nov 77
Silver plating made easy	
WA9HUV	p. 42, Feb 77
Soldering aluminum (HN)	
ZE6JP	p. 67, May 72

Soldering tip (HN)	
Lawyer	p. 68, Feb 70
Soldering tip cleaner (HN)	
W3HUC	p. 79, Oct 76
Soldering tips	
WA4MTH	p. 15, May 76
Thumbwheel switch modification (HN)	
VE3DGX	p. 56, Mar 74
Toroids, plug-in (HN)	
K8EEG	p. 60, Jan 72
Transfer letters (HN)	
WA2TGL	p. 78, Oct 76
Transformers, repairing	
W6N1F	p. 66, Mar 69
Trimmers (HN)	
W5LHG	p. 76, Nov 69
Uhf coax connectors (HN)	
W2LCP	p. 70, Sep 72
Uhf hardware (HN)	
W6CMQ	p. 76, Oct 70
Underwriter's knot (HN)	
W1DTY	p. 69, May 69
Vectorbord tool (HN)	
W1KWJ	p. 70, Apr 72
Volume controls, noisy, temporary fix (HN)	
W9JUV	p. 62, Aug 74
Watercooling the 2C39	
K6MYC	p. 30, Jun 69
Wire-wound potentiometer repair (HN)	
W4ATE	p. 77, Feb 78
Wiring and grounding	
W1E2T	p. 44, Jun 69
Workbench, electronic	
W1E2T	p. 50, Oct 70

## features and fiction

Alarm, burglar-proof (HN)	
Eisenbrandt	p. 56, Dec 75
Binding 1970 issues of ham radio (HN)	
W1DHZ	p. 72, Feb 71
Brass pounding on wheels	
K6QD	p. 58, Mar 75
Catalina wireless, 1902	
W6BLZ	p. 32, Apr 70
Fire protection in the ham shack	
Darr	p. 54, Jan 71
First wireless in Alaska	
W6BLZ	p. 48, Apr 73
Ham Radio sweepstakes winners, 1972	
W1NLB	p. 58, Jul 72
Ham Radio sweepstakes winners, 1973	
W1NLB	p. 68, Jul 73
Ham Radio sweepstakes winners, 1975	
W1NLB	p. 54, Jul 75
Nostalgia with a vengeance	
W6HDM	p. 28, Apr 72
Photographic illustrations	
WA4GNW	p. 72, Dec 69
Reminisces of old-time radio	
K4NW	p. 40, Apr 71
Ten commandments for technicians	
	p. 58, Oct 76
Use your old magazines	
Foster	p. 52, Jan 70
Wireless Point Loma	
W6BLZ	p. 54, Apr 69
1929-1941, the Golden years of amateur radio	
W6SAI	p. 34, Apr 76
1979 world administrative radio conference	
W6APW	p. 48, Feb 76

## fm and repeaters

Antenna and control-link calculations for repeater licensing	
W7PUG	p. 58, Nov 73
Short circuit	p. 59, Dec 73
Antennas, simple, for two-meter fm	
WA3NFW	p. 30, May 73
Antenna, two-meter fm (HN)	
WB6KYE	p. 64, May 71
Antenna, $\frac{1}{2}$ -wavelength, two-meter	
K6KLO	p. 40, Jul 74
Antenna, $\frac{1}{4}$ -wavelength two-meter, build from CB mobile whips (HN)	
WB4WSU	p. 67, Jun 74
Automatically controlled access to open repeaters	
W8GRG	p. 22, Mar 74
Autopatch system for vhf fm repeaters	
W8GRG	p. 32, Jul 74
Base station, two-meter fm	
W9JTQ	p. 22, Aug 73
Carrier-operated relay	
K2PHF, WA2UZO	p. 58, Nov 72
Carrier-operated relay and call monitor	
VE4RE	p. 22, Jun 71
Cavity filter, 144-MHz	
W1SNN	p. 22, Dec 73
Channel scanner	
W2FPP	p. 29, Aug 71
Channels, three from two (HN)	
VE7ABK	p. 68, Jun 71
Charger, fet-controlled for nicad batteries	
WA2JYK	p. 46, Aug 75

Collinear antenna for two meters, nine-element	
W6RJO	p. 12, May 72
Collinear array for two meters, 4-element	
WB6KGF	p. 6, May 71
Command function debugging circuit	
WA7HFY	p. 84, Jun 78
Continuous tuning for fm converters (HN)	
W1DHZ	p. 54, Dec 70
Control head, customizing	
VE7ABK	p. 28, Apr 71
Converting low-band mobile antenna to 144 MHz (HN)	
K7ARR	p. 90, May 77
Decoder, control function	
WA9FTH	p. 66, Mar 77
Detectors, fm, survey of	
W6GXN	p. 22, Jun 76
Deviation measurement (letter)	
K5ZBA	p. 68, May 71
Deviation measurements	
W3FQJ	p. 52, Feb 72
Deviation meter (HN)	
VE7ABK	p. 58, Dec 70
Digital scanner for 2-meter synthesizers	
K4GOK	p. 56, Feb 78
Digital touch-tone encoder for vhf fm	
W7FBB	p. 28, Apr 75
Discriminator, quartz crystal	
WA2JYK	p. 67, Oct 75
Distortion in fm systems	
W5JJ	p. 26, Aug 69
Encoder, combined digital and burst	
K8AUH	p. 48, Aug 69
European vhf-fm repeaters	
SM4GL	p. 80, Sep 76
Filter, 455-kHz for fm	
WA2JYK	p. 22, Mar 72
Fm demodulator using the phase-locked loop	
KL7IPS	p. 74, Sep 78
Fm demodulator, TTL	
W3FQJ	p. 66, Nov 72
Fm receiver frequency control (letter)	
W3AFN	p. 65, Apr 71
Fm techniques and practices for vhf amateurs	
W6SAI	p. 8, Sep 69
Short circuit	p. 79, Jun 70
Fm transmitter, solid-state two-meter	
W6AJF	p. 14, Jul 71
Fm transmitter, Sonobaby, 2 meter	
WA2UZO	p. 8, Oct 71
Short Circuit	p. 96, Dec 71
Crystal deck for Sonobaby	p. 26, Oct 72
Frequency meter, two-meter fm	
W4JAZ	p. 40, Jan 71
Short circuit	p. 72, Apr 71
Frequency synthesizer, inexpensive all-channel, for two-meter fm	
W2OA	p. 50, Aug 73
Correction (letter)	p. 65, Jun 74
Frequency-synthesizer, one-crystal for two-meter fm	
W2MV	p. 30, Sep 73
Frequency synthesizer, for two-meter fm	
WB4FPK	p. 34, Jul 73
Frequency synthesizer sidebands, filter reduces (HN)	
K1PCT	p. 80, Jun 77
Frequency synthesizers, 600 kHz offset for (HN)	
K6KLO	p. 96, Jul 78
High performance chf fm transmitter	
WA2GCF	p. 10, Aug 76
IC-230 modification (HN)	
W8PEY	p. 80, Mar 77
Identifier, programmable repeater	
W6AYZ	p. 18, Apr 69
Short circuit	p. 76, Jul 69
I-f system, multimode	
WA2IKL	p. 39, Sep 71
Indicator, sensitive rf	
WB9DNI	p. 38, Apr 73
Interface problems, fm equipment (HN)	
W9DPY	p. 58, Jun 75
Interference, scanning receiver (HN)	
K2YAH	p. 70, Sep 72
Logic oscillator for multi-channel crystal control	
W1SNN	p. 46, Jun 73
Magnet mount antenna, portable (HN)	
WB2YYU	p. 67, May 76
Mobile antenna, magnet-mount	
W1HCI	p. 54, Sep 75
Mobile antennas, vhf, comparison of	
W4MNV	p. 52, May 77
Mobile operation with the Touch-Tone pad	
W2LPO	p. 58, Aug 72
Correction	p. 90, Dec 72
Modification (letter)	p. 72, Apr 73
Mobile rig, protecting from theft (C&T)	
W1DTY	p. 42, Apr 76
Modulation standards for vhf fm	
W6TEE	p. 16, Jun 70
Monitor receivers, two-meter fm	
WB5EMI	p. 34, Apr 74
Motorola channel elements	
WB4NEX	p. 32, Dec 72
Motorola fm receiver mods (HN)	
VE4RE	p. 60, Aug 71



Motorola P-33 series, improving the WB2AEB p. 34, Feb 71

Motorola voice commander, improving WØDKU p. 70, Oct 70

Motrac Receivers (letter) K5ZBA p. 69, Jul 71

Multimode transceivers, fm-ing on uhf (HN) W6SAI p. 98, Nov 77

Phase-locked loop, tunable, 28 and 50 MHz W1KNI p. 40, Jan 73

Phase modulation principles and techniques VE2BEN p. 28, Jul 75  
Correction p. 59, Dec 75

Power amplifier, rf 220-MHz fm K7JUE p. 6, Sep 73

Power amplifier, rf, 144 MHz Hatchett p. 6, Dec 73

Power amplifier, rf, 144-MHz fm W4CGC p. 6, Apr 73

Power amplifier, two-meter fm, 10-watt W1DTY p. 67, Jan 74

Power supply, regulated ac for mobile fm equipment WA8TMP p. 28, Jun 73

Preamplifier for handtalkies WB2IFV p. 89, Oct 78

Preamplifier, two-meter WA2GCF p. 25, Mar 72

Preamplifier, two meter W8BBB p. 36, Jun 74

Private call system for vhf fm WA6TTY p. 62, Sep 77

Private call system for vhf fm (HN) W9ZTK p. 77, Feb 78

Private-line, adding to Heath HW-202 WA8AWJ p. 53, Jun 74

Push-to-talk for Styleline telephones W1DRP p. 18, Dec 71

Receiver alignment techniques, vhf fm K4IPV p. 14, Aug 75

Receiver for six and two meters, multichannel fm W1SNN p. 54, Feb 74

Receiver for two meter, fm W9SEK p. 22, Sep 70  
Short circuit p. 72, Apr 71

Receiver isolation, fm repeater (HN) W1DTY p. 54, Dec 70

Receiver, modular fm communications K8AUH p. 32, Jun 69  
Correction p. 71, Jan 70

Receiver, modular, for two-meter fm WA2GBF p. 42, Feb 72  
Added notes p. 73, Jul 72

Receiver performance, comparison of VE7ABK p. 68, Aug 72

Receiver performance of vacuum-tube vhf-fm equipment, how to improve W6GGV p. 52, Oct 76

Receiver, tunable vhf fm K8AUH p. 34, Nov 71

Receiver, vhf fm WA2GCF p. 6, Nov 72

Receiver, vhf fm WA2GCF p. 8, Nov 75

Receiver, vhf fm (letter) K8IHQ p. 76, May 73

Receivers, setup using hf harmonics (HN) K9MM p. 89, Nov 78

Relay, operational-amplifier, for Motorola receivers W6GDO p. 16, Jul 73

Remote base, an alternative to repeaters WA6LBV, WA6FVC p. 32, Apr 77

Repeater channel spacing (letter) WB6JPI p. 90, Jan 78

Repeater control with simple timers W2FPP p. 46, Sep 72  
Correction p. 91, Dec 72

Repeater decoder, multi-function WA6TBC p. 24, Jan 73

Repeater installation W2FPP p. 24, Jun 73

Repeater jammers, tracking down W4MB p. 56, Sep 78

Repeater kerchunk eliminator WB6GTM p. 70, Oct 77

Repeater linking, carrier-operated relay for KØPHF p. 57, Jul 76

Repeater problems VE7ABK p. 38, Mar 71

Repeater, receiving system degradation K5ZBA p. 36, May 69

Repeater transmitter, improving W6GDO p. 24, Oct 69

Repeater shack temperature, remote checking ZL2AMJ p. 84, Sep 77

Repeater, single-frequency fm W2FPP p. 40, Nov 73

Reset timer, automatic W5ZHV p. 54, Oct 74

Satellite receivers for repeaters WA4YAK p. 64, Oct 75

Scanner, two-channel, for repeater monitoring W8GRG p. 48, Oct 76

Scanner, vhf receiver K2LZG p. 22, Feb 73

Scanning receiver, improved for vhf fm WA2GCF p. 26, Nov 74

Scanning receiver modifications, vhf fm WA5WOU p. 60, Feb 74

Scanning receivers for two-meter fm K4IPV p. 28, Aug 74

Sequential encoder, mobile fm W3JJU p. 34, Sep 71

Sequential switching for Touch-Tone repeater control W8GRG p. 22, Jun 71

Repeater interference: some corrective actions W4MB p. 54, Apr 78

Simple scope monitor for vhf fm W1RHN p. 66, Aug 78

Single-frequency conversion, vhf/uhf W3FQJ p. 62, Apr 75

Single-sideband fm, introduction to W3EJD p. 10, Jan 77

Single-tone decoder WA2UMY p. 70, Aug 78

S-meter, audible, for repeaters ZL2AMJ p. 49, Mar 77

S-meter for Clegg 27B (HN) WA2YUD p. 61, Nov 74

Solar powered repeater design WB5REA/WB5RSN p. 28, Dec 78

Squelch-audio amplifier for fm receivers WB4WSU p. 68, Sep 74

Squelch circuit, another (HN) WB4WSU p. 78, Oct 76

Squelch circuits for transistor radios WB4WSU p. 36, Dec 75

Subaudible tone encoders and decoders W8GRG p. 26, Jul 78

Synthesized channel scanning WAØUZO p. 68, Mar 77

Synthesized two-meter fm transceiver W1CMR, K1IJZ p. 10, Jan 76  
Letter, W5GQV p. 78, Sep 76

Telephone controller, automatic for your repeater KØPHF, WAØUZO p. 44, Nov 74

Telephone controller for remote repeater operation KØPHF, WAØUZO p. 50, Jan 76  
Precautions (letters) p. 79, Apr 77

Test set for Motorola radios KØBKD p. 12, Nov 73  
Short circuit p. 58, Dec 73  
Added note (letter) p. 64, Jun 74

Time-out warning indicator for fm repeater users K3NEZ p. 62, Jun 76

Timer, simple (HN) W3CIX p. 58, Mar 73

Tone-alert decoder W8ZXH p. 64, Nov 78

Tone-burst generator (HN) K4COF p. 58, Mar 73

Tone-burst generator for repeater accessing WA5KPG p. 68, Sep 77

Tone-burst keyer for fm repeaters W8GRG p. 36, Jan 72

Tone encoder and secondary frequency oscillator (HN) K8AUH p. 66, Jun 69

Tone encoder, universal for vhf fm W6FUB p. 17, Jul 75  
Correction p. 58, Dec 75

Tone generator, IC Ahrens p. 70, Feb 77

Touch-tone circuit, mobile K7QWR p. 50, Mar 73

Touch-Tone decoder, IC W3QG p. 26, Jul 78

Touch-tone decoder, multi-function KØPHF, WAØUZO p. 14, Oct 73

Touch-tone decoder, three-digit W6AYZ p. 37, Dec 74  
Circuit board for p. 62, Sep 75

Touch-Tone encoder W3HB p. 41, Aug 77

Touch-tone, hand-held K7YAM p. 44, Sep 75

Touch-tone handset, converting slim-line K2YAH p. 23, Jun 75

Transceiver for two-meter fm, compact W6A0I p. 36, Jan 74

Transmitter for two meters, phase-modulated W6AJF p. 18, Feb 70

Transmitter, two-meter fm W9SEK p. 6, Apr 72

Tunable receiver modification for vhf fm WB6VKY p. 40, Oct 74

Two-meter synthesizer, direct output WB2CPA p. 10, Aug 77  
Short circuit p. 68, Dec 77

144-MHz synthesizer, direct output WB2CPA p. 10, Aug 77

144-MHz synthesizer, direct output (letter) WB6JPI p. 90, Jan 78

Up/down repeater-mode circuit for two-meter synthesizers, 600 kHz WB4PHO p. 40, Jan 77  
Short circuit p. 94, May 77

Vertical antennas, truth about  $\frac{1}{4}$ -wavelength KØDOK p. 48, May 74  
Added note (letter) p. 54, Jan 75

Weather monitor receiver, retune to two-meter fm (HN) W3WTO p. 56, Jan 75

Whip, 5/8-wave, 144 MHz (HN) VE3DDD p. 70, Apr 73

144-MHz digital synthesizers, readout display WB4TZE p. 47, Jul 76

144-MHz fm exciter, high performance WA2GCF p. 10, Aug 76

144-MHz mobile antenna (HN) W2EUQ p. 80, Mar 77

144-MHz vertical mobile antennas,  $\frac{1}{4}$  and  $\frac{1}{2}$  wavelength, test data on W2LTJ, W2CQH p. 46, May 76

144-MHz,  $\frac{1}{4}$ -wavelength vertical antenna W1RHN p. 50, Mar 76

144-MHz,  $\frac{1}{2}$ -wavelength, vertical antenna for mobile K4LPQ p. 42, May 76

144-MHz synthesizer, direct output WB2CPA p. 10, Aug 77

144-MHz synthesizer, direct output (letter) WB6JPI p. 90, Jan 78

220 MHz frequency synthesizer W6GXN p. 8, Dec 74

450-MHz preamplifier and converter WA2GCF p. 40, Jul 75

## integrated circuits

Active filters K6JM p. 70, Feb 78

Amplifiers, broadband IC W6GXN p. 36, Jun 73

Applications, potpourri of IC W1DTY, Thorpe p. 8, May 69

Audio-power ICs W3FQJ p. 64, Jan 76

Balanced modulator, an integrated-circuit K7QWR p. 6, Sep 70

Cmos logic circuits W3FQJ p. 50, Jun 75

CMOS programmable divide-by-N counter (HN) W7BZ p. 94, Jan 78

Counter gating sources K6KA p. 48, Nov 70

Counter reset generator (HN) W3KBM p. 68, Jan 73

C L logic circuit W1DTY p. 4, Mar 75

Digital counters (letter) W1GGN p. 76, May 73

Digital ICs, part I W3FQJ p. 41, Mar 72

Digital ICs, part II W3FQJ p. 58, Apr 72  
Correction p. 66, Nov 72

Digital mixers WB8IFM p. 42, Dec 73

Digital multivibrators W3FQJ p. 42, Jun 72

Digital oscillators and dividers W3FQJ p. 62, Aug 72

Digital readout station accessory, part I K6KA p. 6, Feb 72

Digital station accessory, part II K6KA p. 50, Mar 72

Digital station accessory, part III K6KA p. 36, Apr 72

Divide-by-n counters, high-speed W10OP p. 36, Mar 76

Electronic counter dials, IC K6KA p. 44, Sep 70

Electronic keyer, cosmos IC WB2DFA p. 6, Jun 74  
Short circuit p. 62, Dec 74

Emitter-coupled logic W3FQJ p. 62, Sep 72

Flip-flops W3FQJ p. 60, Jul 72

Flop-flip, using (HN) W3KBM p. 60, Feb 72

Function generator, IC W1DTY p. 40, Aug 71

Function generator, IC K4DHC p. 22, Jun 74

Gain control IC for audio signal processing Jung p. 47, Jul 77

IC arrays K6JM p. 42, Sep 78

IC op amp update Jung, Walter p. 62, Mar 78

IC power (HN) W3KBM p. 68, Apr 72

IC tester, TTL WA4LCO p. 66, Aug 76

Integrated circuits, part I W3FQJ p. 40, Jun 71

Integrated circuits, part II W3FQJ p. 58, Jul 71

Integrated circuits, part III	
W3FQJ	p. 50, Aug 71
I L logic circuits	
WIDTY	p. 4, Nov 75
Logic families, IC	
W6GXN	p. 26, Jan 74
Logic monitor (HN)	
WA5SAF	p. 70, Apr 72
Correction	p. 91, Dec 72
Logic test probe	
VE6RF	p. 53, Dec 73
Logic test probe (HN)	
Rossmann	p. 56, Feb 73
Short circuit	p. 58, Dec 73
Low-cost linear ICs	
WA7KRE	p. 20, Oct 69
Missent ID	
K6KA	p. 25, Apr 76
Modular modulus	
W9SEK	p. 63, Aug 70
Multi-function integrated circuits	
W3FQJ	p. 46, Oct 72
National LM373, using in ssb transceiver	
W5BAA	p. 32, Nov 73
Op amp challenges the 741	
WA5SNZ	p. 76, Jan 78
Op amp (741) circuit design	
WA5SNZ	p. 26, Apr 76
Operational amplifiers	
WB2EGZ	p. 6, Nov 69
Phase-locked loops, IC	
W3FQJ	p. 54, Sep 71
Phase-locked loops, IC, experiments with	
W3FQJ	p. 58, Oct 71
Plessey SL600-series ICs, how to use	
G8FNT	p. 26, Feb 73
Removing ICs (HN)	
W6NIF	p. 71, Aug 70
Seven-segment readouts, multiplexed	
W5NPD	p. 37, Jul 75
Socket label for ICs (HN)	
WA4WDL, WB4LJM	p. 94, Jan 78
Ssb detector, IC (HN)	
K4DDS	p. 67, Dec 72
Correction (letter)	p. 72, Apr 73
Ssb equipment, using TTL ICs in	
G4ADJ	p. 18, Nov 75
Surplus ICs (HN)	
W4AYV	p. 68, Jul 70
Sync generator, IC, for ATV	
W0KGI	p. 34, Jul 75
Transceiver, 9-MHz ssb, IC	
G3ZVC	p. 34, Aug 74
Circuit change (letter)	p. 62, Sep 75
TTL oscillator (HN)	
WB6VZM	p. 77, Feb 78
TTL sub-series ICs, how to select	
WA1SNG	p. 26, Dec 77
U/ART, how it works	
Titus	p. 58, Feb 76
Using ICs with single-polarity power supplies	
W2EY	p. 35, Sep 69
Using integrated circuits (HN)	
W9KXJ	p. 69, May 69
Voltage regulators	
W6GXN	p. 31, Mar 77
Voltage regulators, IC	
W7FLC	p. 22, Oct 70
Voltage-regulator ICs, adjustable	
WB9KEY	p. 36, Aug 75
Voltage-regulator ICs, three-terminal	
WB5EMI	p. 26, Dec 73
Added note (letter)	p. 73, Sep 74
Vtvm, convert to an IC voltmeter	
K6VCI	p. 42, Dec 74

## keying and control

Accu-Mill, keyboard interface for the	Accu-Keyer
WN9OVV	p. 26, Sep 76
ASCII-to-Morse code translator	
Morley, Sharon	p. 41, Dec 76
Automatic beeper for station control	
WA6URN	p. 38, Sep 76
Break-in circuit, CW	
W8SYK	p. 40, Jan 72
Break-in control system, IC (HN)	
W9ZTK	p. 68, Sep 70
Bug, solid-state	
K2FV	p. 50, Jun 73
Carrier-operated relay	
K0PHF, WA0UZO	p. 58, Nov 72
Cmos keying circuits (HN)	
WB2DFA	p. 57, Jan 75
Constant pitch monitor for cathode or grid-block keyed transmitters (HN)	
K4GMR	p. 100, Sep 78
Contest keyer (HN)	
K2UBC	p. 79, Apr 70
Contest keyer, programmable	
W7BBX	p. 10, Apr 76
CW reception, enhancing through a simulated-stereo technique	
WA1MKP	p. 61, Oct 74
CW regenerator for interference-free communications	
Leward, WB2EAX	p. 54, Apr 74

CW signal processor	
W7KGZ	p. 34, Oct 78
CW sidetone (C&T)	
WIDTY	p. 51, Jun 76
Differential keying circuit	
W4IYB	p. 60, Aug 76
Electronic hand keyer	
K5TCK	p. 36, Jun 71
Electronic keyer	
OK3IA	p. 10, Apr 78
Electronic keyer, cosmos IC	
WB2DFA	p. 6, Jun 74
Short circuit	p. 62, Dec 74
Electronic keyer, IC	
VE7BFC	p. 32, Nov 69
Electronic keyer notes (HN)	
ZL1BN	p. 74, Dec 71
Electronic keyer package, compact	
W4ATE	p. 50, Nov 73
Electronic keyer with random-access memory	
WB9FHC	p. 6, Oct 73
Corrections (letter)	p. 58, Dec 74
Improvements (letter)	p. 57, Jun 75
Increased flexibility (HN)	p. 76, Feb 77
Electronic keyer, 8043 IC	
W6GXN	p. 8, Apr 75
Electronic keyers, simple IC	
WA5TRS	p. 38, Mar 73
Grid-block keying, simple (HN)	
WA4DHU	p. 78, Apr 70
Improving transmitter keying	
K6KA	p. 44, Jun 76
Key and vox clicks (HN)	
K6KA	p. 74, Aug 72
Keyboard electronic keyer, the code mill	
W6CAB	p. 38, Nov 74
Keying, paddle, Siamese	
WA5KPG	p. 45, Jan 75
Keyer modification (HN)	
W9KNI	p. 80, Aug 76
Comments	p. 94, Nov 77
Keyer mods, micro-TO	
DJ9RP	p. 68, Jul 76
Keyer paddle, portable	
WA5KPG	p. 52, Feb 77
Keying the Heath HG-10B vfo (HN)	
K4BRR	p. 67, Sep 70
Latch circuit, dc	
W0LPQ	p. 42, Aug 75
Correction	p. 58, Dec 75
Memo-key	
WA7SCB	p. 58, Jun 72
Memory accessory, programmable for electronic keyers	
WA9LUD	p. 24, Aug 75
Mini-paddle	
K6RIL	p. 46, Feb 69
Morse generator, keyboard	
W7CUU	p. 36, Apr 75
Morse sounder, radio controlled (HN)	
K6QEQ	p. 66, Oct 71
Oscillators, electronic keyer	
WA6JNJ	p. 44, Jun 70
Paddle, electronic keyer (HN)	
KL7EVD	p. 68, Sep 72
Paddle for electronic keyers	
ZS6AL	p. 28, Apr 78
Paddle, homebrew keyer	
W3NK	p. 43, May 69
Programmable accessory for electronic keyers (HN)	
K9WGN/W0SL	p. 81, Aug 78
Push-to-talk for Styleline telephones	
W1DRP	p. 18, Dec 71
RAM keyer update	
K3NEZ	p. 60, Jan 76
Relay activator (HN)	
K6KA	p. 62, Sep 71
Relays, surplus (HN)	
W2OLU	p. 70, Jul 70
Relay, transistor replaces (HN)	
W3NK	p. 72, Jan 70
Relays, undervoltage (HN)	
W2OLU	p. 64, Mar 71
Remote keying your transmitter (HN)	
WA3HOU	p. 74, Oct 69
Reset timer, automatic	
W5ZHV	p. 54, Oct 74
Sequential switching (HN)	
W5OSF	p. 63, Oct 72
Step-start circuit, high-voltage (HN)	
W6VFR	p. 64, Sep 71
Suppression networks, arc (HN)	
WA5EKA	p. 70, Jul 73
Time base, calibrated electronic keyer	
W1PLJ	p. 39, Aug 75
Timer, ten-minute (HN)	
DJ9RP	p. 66, Nov 76
Transistor switching for electronic keyers (HN)	
W3QBO	p. 66, Jun 74
Transmit/receive switch PIN diode	
W9KHC	p. 10, May 76
Typewriter-type electronic keys, further automation for	
W6PRO	p. 26, Mar 70

Vox, IC	
W2EY	p. 50, Mar 69
Vox keying (HN)	
VE7IG	p. 83, Dec 69
Vox, versatile	
W9KIT	p. 50, Jul 71
Short circuit	p. 96, Dec 71

## measurements and test equipment

Absorption measurements, using your signal generator for	
W2OUX	p. 79, Oct 76
Ac current monitor (letter)	
WB5MAP	p. 61, Mar 75
Ac power-line monitor	
W2OLU	p. 46, Aug 71
AFSK generator, crystal-controlled	
K7BVT	p. 13, Jul 72
AFSK generator, phase-locked loop	
K7ZOF	p. 27, Mar 73
A-m modulation monitor, vhf (HN)	
K7UNL	p. 67, Jul 71
Antenna bridge calculations	
Anderson, Leonard H.	p. 34, May 78
Antenna bridge calculations (letter)	
W5OJR	p. 6, May 78
Antenna gain, measuring	
K6JYO	p. 26, Jul 69
Antenna matcher	
W4SD	p. 24, Jun 71
Antenna and transmission line measurement techniques	
W4OQ	p. 36, May 74
Automatic noise-figure measurements	
Repair Bench	
W6NBI	p. 40, Aug 78
Base step generator	
WB4YDZ	p. 44, Jul 76
Bridge for antenna measurements, simple	
W2CTK	p. 34, Sep 70
Bridge, noise, for impedance measurements	
YA1GJM	p. 62, Jan 75
Added notes	p. 66, May 74; p. 60, Mar 73
Bridge, rf noise	
WB2EGZ	p. 18, Dec 70
Calibrating ac scales on the vtvm, icvm and fet voltmeter	
W7KQ	p. 48, Sep 76
Calibrator, plug-in IC	
K6KA	p. 22, Mar 69
Capacitance meter	
Mathieson, P. H.	p. 51, Feb 78
Capacitance meter, digital	
K4DHC	p. 20, Feb 74
Capacitance meter, direct-reading	
ZL2AUE	p. 46, Apr 70
Capacitance meter, direct-reading	
W6MUR	p. 48, Aug 72
Short circuit	p. 64, Mar 74
Capacitance meter, direct-reading	
WA5SNZ	p. 32, Apr 75
Added note	p. 31, Oct 75
Capacitance meter, direct reading, for electrolytics	
W9DJZ	p. 14, Oct 71
Capacitance meter, simplified	
WA5SNZ	p. 78, Nov 78
Coaxial cable, checking (letter)	
W2OLU	p. 68, May 71
Coaxial-line loss, measuring with a reflectometer	
W2VCI	p. 50, May 72
Continuity beeper for circuit tracing	
G3SBA	p. 67, Jul 77
Converter, mosfet, for receiver instrumentation	
WA9ZMT	p. 62, Jan 71
Counter, compact frequency	
K4EEU	p. 16, Jul 70
Short circuit	p. 72, Dec 70
Counter gating sources	
K6KA	p. 48, Nov 70
Counter readouts, switching (HN)	
K6KA	p. 66, Jun 71
Counter reset generator (HN)	
W3KBM	p. 68, Jan 73
Counters: a solution to the readout problem	
WA0GOZ	p. 66, Jan 70
CRT intensifier for RTTY	
K4VFA	p. 18, Jul 71
Crystal checker	
W6GXN	p. 46, Feb 72
Crystal test oscillator and signal generator	
K4EEU	p. 46, Mar 73
Crystal-controlled frequency markers (HN)	
WA4WDK	p. 64, Sep 71
Cubical quad measurements	
W4YM	p. 42, Jan 69
Decade standards, economical (HN)	
W4ATE	p. 66, Jun 71
Digital counters (letter)	
W1GGN	p. 76, May 73

Digital readout station accessory, part I K6KA	p. 6, Feb 72	Impedance bridge (HN) W6KZK	p. 67, Feb 70	Resistance values, measuring below 1 ohm W4OHT	p. 66, Sep 77
Digital station accessory, part II K6KA	p. 50, Mar 72	Impedance bridge, low-cost RX W8YFB	p. 6, May 73	Resistor decades, versatile W4ATE	p. 66, Jul 71
Digital station accessory, part III K6KA	p. 36, Apr 72	Impedance, measuring with swr bridge WB4KSS	p. 46, May 75	Rf current readout, remote (HN) W4ATE	p. 87, May 78
Diode tester W6DOB	p. 46, Jan 77	Impulse generator, pulse-snap diode Siegal, Turner	p. 29, Oct 72	Rf detector, sensitive WB9DNI	p. 38, Apr 73
Dummy load and rf wattmeter, low-power W2OLU	p. 56, Apr 70	Intermodulation-distortion measurements on ssb transmitters W6VFR	p. 34, Sep 74	Rf power meter, low-level W5WGF	p. 58, Oct 72
Dummy load low-power vhf WB9DNI	p. 40, Sep 73	L, C, R bridge, universal W6A0I	p. 54, Apr 76	Rf signal generator, solid-state VE5FP	p. 42, Jul 70
Dummy loads W4MB	p. 40, Mar 76	Linearity meter for ssb amplifiers W4MB	p. 40, Jun 76	Rf wattmeter, accurate low power WA4ZRP	p. 38, Dec 77
Dynamic transistor tester (HN) VE7ABK	p. 65, Oct 71	Line voltage monitor (HN) WA8VFK	p. 66, Jan 74	RTTY monitor scope, solid-state WB2MPZ	p. 33, Oct 71
Electrolytic capacitors, measurement of (HN) W2NA	p. 70, Feb 71	Current monitor mod (letter) Logic monitor (HN) WA5SAF	p. 61, Mar 75	RTTY signal generator W72TC	p. 23, Mar 71
Fm deviation measurement (letter) K5ZBA	p. 68, May 71	Correction Logic test probe VE6RF	p. 70, Apr 72	Short circuit RTTY test generator (HN) W3EAG	p. 96, Dec 71
Fm deviation measurements W3FQJ	p. 52, Feb 72	Logic test probe (HN) Rossman	p. 53, Dec 73	RTTY test generator (HN) W3EAG	p. 59, Mar 73
Fm frequency meter, two-meter W4JAZ	p. 40, Jan 71	Short circuit Meter amplifiers, calibrating W4OHT	p. 56, Feb 73	RTTY test generator WB9ATW	p. 64, Jan 78
Short circuit Frequencies, counted (HN) K6KA	p. 72, Apr 71	p. 58, Dec 73		RX impedance bridge W2CTK	p. 34, Sep 70
Frequency calibrator, general coverage W5UQS	p. 28, Dec 71	Meter amplifiers, electronic WA9HUV	p. 80, Sep 78	RX impedance bridge, low-cost W8YFB	p. 6, May 73
Frequency calibrator, how to design W3AEX	p. 54, Jul 71	Meter interface, high-impedance Laughlin	p. 38, Dec 76	RX noise bridge, improvements to W6BXI, W6NKU	p. 10, Feb 77
Frequency counter, modify for direct counting to 100 MHz WA1SNG	p. 26, Feb 78	Meters, testing unknown (HN) W10NC	p. 20, Jan 74	Comments Noise bridge construction (letter) OH2ZAZ	p. 100 Sep 77
Frequency counter, CMOS W2OKO	p. 22, Feb 77	Microwave marker generator, 3cm band (HN) WA4WDL	p. 66, Jan 71	Safer suicide cord (HN) K6JYO	p. 8, Sep 78
Short circuit Frequency counter, front-ends for a 500-MHz K4JIU	p. 94, May 77	Milliammeters, how to use W4PSJ	p. 69, Jun 76	Sampling network, rf — the milli-tap W6QJW	p. 64, Mar 71
p. 30, Feb 78		Monitorscope, miniature WA3FIY	p. 48, Sep 75	Signal generator, tone modulated for two and six meters WA80IK	p. 34, Jan 73
Frequency counter, how to improve the accuracy of W1RF	p. 26, Oct 77	Monitorscope, RTTY W3CIX	p. 34, Mar 69	Signal generator, wide range W6GXN	p. 54, Nov 69
Frequency counter, high-impedance preamp and pulse shaper for I4YAF	p. 47, Feb 78	Multi-box (HN) W3KBM	p. 36, Aug 72	Slotted line, how to use (repair bench) W6NBI	p. 18, Dec 73
Frequency counter, simple (HN) W2QBR	p. 81, Aug 78	Multiplexed counter displays (HN) K1XX	p. 68, Jul 69	Slow-scan tv test generator K4EEU	p. 58, May 77
Frequency counter, simplifying W1WP	p. 22, Feb 78	Multitester (HN) W1DTY	p. 87, May 78	Spectrum analyzer, dc-100 MHz W6URH	p. 6, Jul 73
Frequency counters, understanding and using W6NBI	p. 10, Feb 78	Noise bridge, antenna (HN) K8EEG	p. 63, May 71	Short circuit Spectrum analyzer for ssb W3JW	p. 16, Jun 77
Frequency counters, high-sensitivity preamplifier for W1CFI	p. 80, Oct 78	Noise bridge calculations with TI 58/59 calculators WD4GRI	p. 71, May 74	Spectrum analyzer for ssb W9IA	p. 24, Jul 77
Frequency counter, 50 MHz, 6 digit WB2DFA	p. 18, Jan 76	Noise-figure measurements for vhf WB6NMT	p. 45, May 78	Spectrum analyzer, four channel W6VFR	p. 6, Oct 72
Comment Frequency-marker standard using cmos W4IYB	p. 79, Apr 77	Noise figure, vhf, estimating WA9HUV	p. 36, Jun 72	Spectrum analyzer, microwave N6TX	p. 34, Jul 78
p. 44, Aug 77		Noise generator, 1296-MHz W3BSV	p. 42, Jun 75	Spectrum analyzer tracking generator W6URH	p. 30, Apr 78
Frequency measurement of received signals W4AAD	p. 38, Oct 73	Oscillator, audio W6GXN	p. 46, Aug 73	Spectrum analyzers, understanding WA5SNZ	p. 50, Jun 74
Frequency measurement, vhf, with hf receiver and scaler (HN) W3LB	p. 90, May 77	Oscillator, frequency measuring W6IEL	p. 50, Feb 73	Ssb, signals, monitoring W6VFR	p. 35, Mar 72
Frequency meter, crystal controlled W5JSN	p. 71, Sep 69	Added notes Oscillator, two-tone, for ssb testing W6GXN	p. 16, Apr 72	Sweep generator, how to use Allen	p. 60, Apr 70
Frequency scaler, divide-by-ten K4EEU	p. 26, Aug 70	Oscilloscope calibrator (HN) K4EEU	p. 90, Dec 72	Sweep response curves for low-frequency i-f's Allen	p. 56, Mar 71
Short circuit Frequency scaler, divide-by-ten W6PBC	p. 72, Apr 71	Oscilloscope, putting it to work Allen	p. 11, Apr 72	Switch-off flasher (HN) Thomas	p. 64, Jul 71
Correction Added comments (letter) Pre-scaler, improvements for W6PBC	p. 41, Sep 72	Oscilloscope, troubleshooting amateur gear with Allen	p. 69, Jul 69	Swr bridge WB2ZSH	p. 55, Oct 71
p. 90, Dec 72		Oscilloscope voltage calibrator W6PBC	p. 64, Sep 69	Swr bridge and power meter, integrated W6DOB	p. 40, May 70
p. 64, Nov 73		Peak envelope power, how to measure W5JJ	p. 52, Aug 69	Swr bridge (HN) WA5TFK	p. 66, May 72
Frequency scaler, uhf (11C90) WB9KEY	p. 30, Oct 73	Phase meter, rf VE2AYU, Korth	p. 54, Aug 72	Swr bridge readings (HN) W6FPO	p. 63, Aug 73
Frequency scaler, 500-MHz W6URH	p. 50, Dec 75	Power meter, rf K8EEG	p. 32, Nov 74	Swr indicator, aural, for the visually handicapped K6HTM	p. 52, May 76
Frequency scalars, 1200-MHz WB9KEY	p. 32, Jun 75	Power meter, rf, how to use (repair bench) W6NBI	p. 28, Apr 73	Swr indicator, how to use (repair bench) W6NBI	p. 66, Jan 77
Frequency-shift meter, RTTY VK3ZNV	p. 38, Feb 75	Pre-scaler, vhf (HN) W6MGI	p. 26, Oct 73	Swr meter W6VSV	p. 6, Oct 70
Frequency standard (HN) WA7JJK	p. 33, Jun 70	Prescaler, vhf, for digital frequency counters K4GOK	p. 44, Apr 77	Swr meter WB6AFT	p. 68, Nov 78
Frequency standard, universal K4EEU	p. 69, Sep 72	Prescaler, 1-GHz, for frequency counters W6NBI	p. 57, Feb 73	Swr meter, improving (HN) W5NPD	p. 68, May 76
Short circuit Frequency synthesizer, high-frequency K2BLA	p. 40, Feb 74	Probe, sensitive rf (HN) W5JJ	p. 32, Feb 76	Swr meters, direct reading and expanded scale WA4WDK	p. 28, May 72
p. 72, May 74		Q measurement G3SBA	p. 84, Sep 78	Correction Tester for 6146 tubes (HN) W6KNE	p. 90, Dec 72
Function generator, IC W1DTY	p. 16, Oct 72	Radio Shack meters, internal resistance Katzenberger	p. 61, Dec 74	Test probe accessory (HN) W2IMB	p. 81, Aug 78
Function generator, IC K4DHC	p. 40, Aug 71	Reflectometers K1YZW	p. 49, Jan 77	Testing power tubes K4IPV	p. 89, Jul 77
Function/units indicator using LED displays K0FOP	p. 22, Jun 74	Regenerative detectors and a wideband amplifier W8YFB	p. 94, Nov 77	Time-base oscillators, improved calibration WA7LUJ, WA7KMR	p. 70, Mar 77
Gate-dip meter W3WLX	p. 58, Mar 77	Repairs, thinking your way through Allen	p. 65, Dec 69	Time-domain reflectometry, experimenter's approach to WA0PIA	p. 22, May 71
Grid-dip meter, no-cost W8YFB	p. 42, Jun 77	Resistance standard, simple (HN) W2OLU	p. 61, Mar 70	Toroid permeability meter W6RJO	p. 46, Jun 77
Grid-dip oscillator, solid-state conversion of W6AJZ	p. 87, Feb 78	Resistance values below 1 ohm, measuring W4OHT	p. 58, Feb 71	Transconductance tester for fets W6NBI	p. 44, Sep 71
Harmonic generator (HN) W5GDQ	p. 20, Jun 70	Resistance values below 1 ohm, measuring (letter) WIPT	p. 65, Mar 71	Transistor and diode tester ZL2AMJ	p. 65, Nov 70
I-f alignment generator 455-kHz WA5SNZ	p. 76, Oct 70			Transistor curve tracer WA9LCX	p. 52, Jul 73
I-f sweep generator K4DHC	p. 50, Feb 74			Short circuit	p. 63, Apr 74
	p. 10, Sep 73				

Transistor tester, shirt pocket	
WØMAY	p. 40, Jul 76
Transmitter tuning unit for the blind	
W9NTP	p. 60, Jun 71
Trapezoidal monitor scope	
VE3CUS	p. 22, Dec 69
Turn-off timer for portable equipment	
W5OXD	p. 42, Sep 76
TV locator	
W6BD	p. 24, Aug 78
Uhf tuner tester for tv sets (HN)	
Schuler	p. 73, Sep 69
Vacuum tubes, testing high-power (HN)	
W2OLU	p. 64, Mar 72
Vhf prescaler	
W8CHK	p. 92, Jun 78
Vhf pre-scaler, improvements for	
W6PBC	p. 30, Oct 73
Voltage calibrator for digital voltmeters	
W6NBI	p. 66, Jul 78
Voltmeter calibrator, precision	
Woods, Hubert	p. 94, Jun 78
Vom/vtm, added uses for (HN)	
W7DI	p. 67, Jan 73
VSWR indicator, computing	
WB9CYY	p. 58, Jan 77
Short circuit	p. 94, May 77
Vtm modification	
W6HPH	p. 51, Feb 69
Vtm, convert to an IC voltmeter	
K6VCI	p. 42, Dec 74
Wavemeter, indicating	
W6NIF	p. 26, Dec 70
Short circuit	p. 72, Apr 71
Weak-signal source, stable, variable-output	
K6JYO	p. 36, Sep 71
Weak-signal source, 144 and 432 MHz	
K6JC	p. 58, Mar 70
WWV receiver, simple regenerative	
WA5SNZ	p. 42, Apr 73
WWV-WVVH, amateur applications for	
W3FQJ	p. 53, Jan 72
WWVB signal processor	
W9BTI	p. 28, Mar 76
Zener tester, low-voltage (HN)	
K3DPJ	p. 72, Nov 69
1.5 GHz prescaler, divide by 4	
N6JH	p. 88, Dec 78

## microprocessors, computers and calculators

Accumulator I/O versus memory I/O	
WB4HYJ, Rony, Titus	p. 64, Jun 76
CW keyboard, Microprocessor controlled	
WB2DFA	p. 81, Jan 78
Data converters	
WA1MOP	p. 79, Oct 77
Decision, how does a microcomputer make a	
WB4HYJ, Titus, Rony	p. 74, Aug 76
Device-select pulses, generating input/output	
WB4HYJ, Titus, Rony	p. 44, Apr 76
Digital keyboard entry system	
N2YK/N2GW	p. 92, Sep 78
How microprocessors fit into scheme of computers and controllers	
WB4HYJ, Rony, Titus	p. 36, Jan 76
IC tester using the KIM-1	
W3GUL	p. 74, Nov 78
Input/output device, what is a?	
WB4HYJ, Rony, Titus	p. 50, Feb 76
Interfacing a digital multimeter with an 8080-based microcomputer	
WB4HYJ, Rony, Titus	p. 66, Sep 76
Interfacing a 10-bit DAC (Microprocessors)	
Rony, Titus, WB4HYJ	p. 66, Apr 78
Internal registers, 8080	
Rony, Titus, WB4HYJ	p. 63, Feb 77
Interrupts, microcomputer	
WB4HYJ, Rony, Titus	p. 66, Dec 76
Introduction to microprocessors	
WB4HYJ, Rony, Titus	p. 32, Dec 75
Comments, WB4FAR	p. 63, May 76
Logical instructions	
Titus, WB4HYJ, Rony	p. 83, Jul 77
MOV and MVI 8080 instructions	
Titus, WB4HYJ, Rony	p. 74, Mar 77
Register pair instruction	
Rony, Titus, WB4HYJ	p. 76, Jun 77
Software UAR/T, interfacing a	
WB4HYJ, Rony, Titus	p. 60, Nov 76
Substitution of software for hardware	
WB4HYJ, Rony, Titus	p. 62, Jul 76
UAR/T, how it works	
Titus	p. 58, Feb 76
Vectored interrupts	
WB4HYJ, Rony, Titus	p. 74, Jan 77
Video display, simple	
VK3AOH	p. 46, Dec 78
8080 logical instructions	
WB4HYJ, Rony, Titus	p. 89, Sep 77
8080 microcomputer output instructions	
WB4HYJ, Rony, Titus	p. 54, Mar 76

## miscellaneous technical

Admittance, impedance and circuit analysis	
Anderson	p. 76, Aug 77
Alarm, wet basement (HN)	
W2EMF	p. 68, Apr 72
Antenna masts, design for pipe	
W3MR	p. 52, Sep 74
Added design notes (letter)	p. 75, May 75
Antennas and capture area	
K6MID	p. 42, Nov 69
Bandpass filter design	
K4KJ	p. 36, Dec 73
Bandpass filters for 50 and 144 MHz, etched	
W5KHT	p. 6, Feb 71
Bandpass filters, single-pole	
W6HPH	p. 51, Sep 69
Bandpass filters, top-coupled	
Anderson	p. 34, Jun 77
Bandspreading techniques for resonant circuits	
Anderson	p. 46, Feb 77
Short circuits	p. 69, Dec 77
Batteries, selecting for portable equipment	
WBØAIK	p. 40, Aug 73
Bipolar-fet amplifiers	
W6HDM	p. 16, Feb 76
Comments, Worcester	p. 76, Sep 76
Broadband amplifier, bipolar	
WB4KSS	p. 58, Apr 75
Broadband amplifier uses mospower fet	
Oxner	p. 32, Dec 76
Broadband amplifier, wide-range	
W6GXN	p. 40, Apr 74
Bypassing, rf, at uhf	
WB6BHI	p. 50, Jan 72
Calculator-aided circuit analysis	
Anderson	p. 38, Oct 77
Calculator, hand-held electronic, its function and use	
W4MB	p. 18, Aug 76
Calculator, hand-held electronic, solving problems with it	
W4MB	p. 34, Sep 76
Capacitors, oil-filled (HN)	
W2OLU	p. 66, Dec 72
Clock, 24-hour digital	
K4ALS	p. 51, Apr 70
Short circuit	p. 76, Sep 70
Coil-winding data, vhf and uhf	
K3SVC	p. 6, Apr 71
Communications receivers, designing for strong-signal performance	
Moore	p. 6, Feb 73
Computer-aided circuit analysis	
K1ORV	p. 30, Aug 70
Contact bounce eliminators (letters)	
W7IV	p. 94, Nov 77
Crystal filters, monolithic	
DK1AG	p. 28, Nov 78
Digital clock, low-cost	
WA6DYW	p. 26, Feb 76
Digital mixer, introduction	
WB8IFM	p. 42, Dec 73
Digital readout system, simplified	
W6OIS	p. 42, Mar 74
Double-balanced modulator, broadband	
WA6NCT	p. 8, Mar 70
Earth currents (HN)	
W7OUI	p. 80, Apr 70
Effective radiated power (HN)	
VE7CB	p. 72, May 73
Electrical units: their derivation and history	
WB6EYV	p. 30, Aug 76
Electrolytic capacitors, re-forming the oxide layer (HN)	
K9MM	p. 99, Jul 78
Ferrite beads	
W5JJ	p. 48, Oct 70
Ferrite beads, how to use	
K1ORV	p. 34, Mar 73
Fet biasing	
W3FQJ	p. 61, Nov 72
Filter preamplifiers for 50 and 144 MHz, etched	
W5KHT	p. 6, Feb 71
Filters, active for direct-conversion receivers	
W7ZOI	p. 12, Apr 74
Fire extinguishers (letter)	
W5PGG	p. 68, Jul 71
Fire protection	
Darr	p. 54, Jan 71
Fire protection (letter)	
K7QCM	p. 62, Aug 71
Fm techniques	
W6SAI	p. 8, Sep 69
Short circuit	p. 79, Jun 70
Frequency counter as a synthesizer	
DJ2LR	p. 44, Sep 77
Freon danger (letter)	
WA5RTB	p. 63, May 72
Frequency-lock loop	
WA3ZKZ	p. 17, Aug 78
Frequency multipliers	
W6GXN	p. 6, Aug 71
Frequency multipliers, transistor	
W6AJF	p. 49, Jun 70

Frequency synchronization for scatter-mode propagation	
K2OV5	p. 26, Sep 71
Frequency synthesis	
WA5SKM	p. 42, Dec 69
Frequency synthesizer, high-frequency	
K2BLA	p. 16, Oct 72
Frequency synthesizer sidebands, filter reduces (HN)	
K1PCT	p. 80, Jun 77
Frequency synthesizers, how to design	
DJ2LR	p. 10, Jul 76
Short circuit	p. 85, Oct 76
Gamma-matching networks, how to design	
W7ITB	p. 46, May 73
Glass semiconductors	
W1EZT	p. 54, Jul 69
Graphical network solutions	
WINCK, W2CTK	p. 26, Dec 69
Gridded tubes, vhf-uhf effects	
W6UOV	p. 8, Jan 69
Grounding and wiring	
W1EZT	p. 44, Jun 69
Ground plow	
W1EZT	p. 64, May 70
Gyrator: a synthetic inductor	
WB9ATW	p. 96, Jun 78
Harmonic generator, crystal-controlled	
W1KNI	p. 66, Nov 77
Harmonic output, how to predict	
Utne	p. 34, Nov 74
Heatsink problems, how to solve	
WA5SNZ	p. 46, Jan 74
Hf synthesizer, higher resolution for	
N4ES	p. 34, Aug 78
Hybrids and couplers, hf	
W2CTK	p. 57, Jul 70
Short circuit	p. 72, Dec 70
Hydroelectric station, amateur	
K6WX	p. 50, Sep 77
Impedance-matching systems, designing	
W7CSD	p. 58, Jul 73
Inductors, how to use ferrite and powdered-iron for	
W6GXN	p. 15, Apr 71
Correction	p. 63, May 72
Infrared communications (letter)	
K2OAW	p. 65, Jan 72
Injection lasers (letter)	
Mims	p. 64, Apr 71
Injection lasers, high power	
Mims	p. 28, Sep 71
Integrated circuits, part I	
W3FQJ	p. 40, Jun 71
Integrated circuits, part II	
W3FQJ	p. 58, Jul 71
Integrated circuits, part III	
W3FQJ	p. 50, Aug 71
Interference, hi-fi (HN)	
K6KA	p. 63, Mar 75
Interference problems, how to solve	
ON4UN	p. 93, Jul 78
Interference, rf	
W1DITY	p. 12, Dec 70
Interference, rf (letter)	
G3LLL	p. 65, Nov 75
Interference, rf	
WA3NFW	p. 30, Mar 73
Interference, rf, coaxial connectors can generate	
W1DITY	p. 48, Jun 76
Interference, rf, its cause and cure	
G3LLL	p. 26, Jun 75
Intermittent voice operation of power tubes	
W6SAI	p. 24, Jan 71
Isotropic source and practical antennas	
K6FD	p. 32, May 70
Laser communications	
W4KAE	p. 28, Nov 70
LC circuit calculations	
W2OUX	p. 68, Feb 77
LED experiments	
W4KAE	p. 6, Jun 70
Lightning protection for the amateur station	
K9MM	p. 18, Dec 78
Lighthouse tubes for uhf	
W6UOV	p. 27, Jun 69
Local-oscillator waveform effects on spurious mixer responses	
Robinson, Smith	p. 44, Jun 74
Lowpass filters for solid-state linear amplifiers	
WAØJYK	p. 38, Mar 74
Short circuit	p. 62, Dec 74
L-networks, how to design	
W7LR	p. 26, Feb 74
Short circuit	p. 62, Dec 74
Lunar-path nomograph	
WA6NCT	p. 28, Oct 70
Marine installations, amateur, on small boats	
W3MR	p. 44, Aug 74
Matching networks, how to design	
Anderson, Leonard H.	p. 44, Apr 78
Matching techniques, broadband, for transistor rf amplifiers	
WA7WHZ	p. 30, Jan 77
Microprocessors, introduction to	
WB4HYJ, Rony, Titus	p. 32, Dec 75

Microwave rf generators, solid-state W1HR	p. 10, Apr 77	Satellite communications, first step to K1MTA	p. 52, Nov 72	Antenna, 80 meters, for small lot W6AGX	p. 28, May 73
Microwaves, getting started in Roubal	p. 53, Jun 72	Added notes (letter)	p. 73, Apr 73	Antennas, dipole KH6HDM	p. 60, Nov 75
Microwaves, Introduction W1CBB	p. 20, Jan 72	Satellite signal polarization KH6IJ	p. 6, Dec 72	Antennas, low elevation W3FQJ	p. 66, May 73
Mini-mobile K9UQN	p. 58, Aug 71	Signal detection and communication in the presence of white noise WB6IOM	p. 16, Feb 69	Antennas, QRM reducing receiving types W3FQJ	p. 54, May 71
Mismatched transmitter loads, affect of W5JJ	p. 60, Sep 69	Silver/silicone grease (HN) W6DDB	p. 63, May 71	Antennas, simple dual-band W6SAI	p. 18, Mar 70
Mnemonics W6NIF	p. 69, Dec 69	Simple formula for microstrip impedance (HN) W1HR	p. 72, Dec 77	Antennas, simple for 80 and 40 meters W5RUB	p. 16, Dec 72
Multi-function integrated circuits W3FQJ	p. 46, Oct 72	Smith chart, how to use W1DTY	p. 16, Nov 70	Audio agc principles and practice WA5SNZ	p. 28, Jun 71
Network, the ladder W2CHO	p. 48, Dec 76	Correction W1DTY	p. 76, Dec 71	Audio filter, tunable WA1JSM	p. 34, Aug 70
Networks, transmitter matching W6FFC	p. 6, Jan 73	Solar energy W3FQJ	p. 54, Jul 74	Audio filters, inexpensive W8YFB	p. 24, Aug 72
Neutralizing small-signal amplifiers WA4WDK	p. 40, Sep 70	Speech clippers, rf, performance of G6KN	p. 26, Nov 72	Audio module, solid-state receiver K4DHC	p. 18, Jun 73
Noise figure, meaning of K6MIO	p. 26, Mar 69	Square roots, finding (HN) K9DHD	p. 67, Sep 73	Batteries, selecting for portable equipment WBØAIK	p. 40, Aug 73
Operational amplifiers WB2EGZ	p. 6, Nov 69	Increased accuracy (letter) W1DTY	p. 55, Mar 74	Battery power W3FQJ	p. 56, Aug 74, p. 57, Oct 74
Phase detector, harmonic W5TRS	p. 40, Aug 74	Staircase generator (C&T) W1DTY	p. 52, Jun 76	COSMOS integrated circuits W3FQJ	p. 50, Jun 75
Phase-locked loops WB6FOC	p. 54, Jul 78	Standing-wave ratios, importance of W2HB	p. 26, Jul 73	CW audio filter, simple W7DI	p. 54, Nov 71
Phase-locked loops, IC W3FQJ	p. 54, Sep 71	Correction (letter) W2FZJ	p. 67, May 74	CW audio filter, simplest W4VNK	p. 44, Oct 70
Phase-locked loops, IC, experiments with W3FQJ	p. 58, Oct 71	Stress analysis of antenna systems W2FZJ	p. 23, Oct 71	CW monitor, simple WA9OHR	p. 65, Jan 71
Phase-shift networks, design criteria for G3NRW	p. 34, Jun 70	Synthesizer design (letters) WB2CPA	p. 94, Nov 77	CW reception, improved through simulated stereo WA1MKP	p. 53, Oct 74
Pi network design W6FFC	p. 6, Sep 72	Temperature sensor, remote (HN) WA1NJG	p. 72, Feb 77	CW transceiver, low-power for 40 meters W7BBX	p. 16, Jul 74
Pi network design Anderson, Leonard H.	p. 36, Mar 78	Tetrodes, external-anode W6SAI	p. 23, Jun 69	Detectors, regenerative W8YFB	p. 61, Mar 70
Pi network design and analysis W2HB	p. 30, Sep 77	Thermometer, electronic VK3ZNV	p. 30, Apr 70	Diode detectors W6GKN	p. 28, Jan 76
Short circuit Pi network inductors (letter) W7IV	p. 68, Dec 77	Thyristors, introduction to WA7KRE	p. 54, Oct 70	Dipoles, multiband for portable use W6SAI	p. 12, May 70
Pi networks, series-tuned W2EGH	p. 42, Oct 71	Toroidal coil inductance (HN) W3WLX	p. 26, Sep 75	Dummy load and rf wattmeter W2OLU	p. 56, Apr 70
Power amplifiers, high-efficiency rf WB8LQK	p. 8, Oct 74	Toroid coils, 88-mH (HN) WA1NJG	p. 70, Jun 76	Feedpoint impedance characteristics of practical antennas W5JJ	p. 50, Dec 73
Power dividers and hybrids W1DAX	p. 30, Aug 72	Toroids, calculating inductance of WB9FHC	p. 50, Feb 72	Filter, tunable for audio selectivity W2EZY	p. 22, Mar 70
Power supplies, survey of solid-state W6GKN	p. 25, Feb 70	Toroids, plug-in (HN) K8EEG	p. 60, Jan 72	Fire protection in the ham shack Darr	p. 54, Jan 71
Power, voltage and impedance nomograph W2TQK	p. 32, Apr 71	Transistor amplifiers, tabulated characteristics of W5JJ	p. 30, Mar 71	Frequency spotter, crystal controlled W5JJ	p. 36, Nov 70
Printed-circuit boards, photofabrication of Hutchinson	p. 6, Sep 71	Trig functions on a pocket calculator (HN) W9ZTK	p. 60, Nov 75	ICs, basics of W3FQJ	p. 40, Jun 71, p. 58, Jul 71
Programmable calculator simplifies antenna design (HN) W3DVO	p. 70, May 74	Tube shields (HN) W9KNI	p. 69, Jul 76	ICs, digital, basics W3FQJ	p. 41, Mar 72, p. 58, Apr 72
Programmable calculators, using W3DVO	p. 40, Mar 75	Tuning, Current-controlled K2ZSQ	p. 38, Jan 69	ICs, digital flip-flops W3FQJ	p. 60, Jul 72
Proportional temperature control for crystal ovens VE5FP	p. 44, Jan 70	TV locator W6BD	p. 23, Aug 78	ICs, digital multivibrators W3FQJ	p. 42, Jun 72
Pulse-duration modulation W3FQJ	p. 65, Nov 72	Vacuum-tube amplifiers, tabulated characteristics of W5JJ	p. 30, Mar 71	ICs, digital, oscillators and dividers W3FQJ	p. 62, Aug 72
Q factor, understanding W5JJ	p. 16, Dec 74	Warning lights, increasing reliability of W3NK	p. 40, Feb 70	Interference, hi-fi G3LLL	p. 26, Jun 75
Radiation hazard, rf W1DTY	p. 4, Sep 75	White noise diodes, selecting (HN) W6DOB	p. 65, Apr 76	Interference, radio frequency WA3NFW	p. 30, Mar 73
Correction W1DTY	p. 59, Dec 75	Wind generators W3FQJ	p. 24, Jul 76	Man-made interference, how to find W1DTY	p. 12, Dec 70
Radio communications links W1E2T	p. 44, Oct 69	Wind loading on towers and antenna structures, how to calculate K4KJ	p. 16, Aug 74	Meters, how to use W4PSJ	p. 48, Sep 75
Radio observatory, vhf Ham	p. 44, Jul 74	Added note p. 56, Jul 75		Morse code, speed standards for VE2ZK	p. 58, Apr 73
Radio-frequency interference WA3NFW	p. 30, Mar 73	Y parameters, using in rf amplifier design WAØTCU	p. 46, Jul 72	Mosfet circuits W3FQJ	p. 50, Feb 75
Radio sounding system KL7GLK	p. 42, Jul 78	24-hour clock, digital WB6AFT	p. 44, Mar 77	Preamplifier, 21 MHz WA5SNZ	p. 20, Apr 72
Radiotelegraph translator and transcriber W7CUU, K7KFA	p. 8, Nov 71	Ac power line monitor W2OLU	p. 46, Aug 71	Printed-circuit boards, how to make your own K4EEU	p. 58, Apr 73
Eliminating the matrix KH6AP	p. 60, May 72	Amplifiers, tube and transistor, tabulated characteristics of W5JJ	p. 30, Mar 71	Printed-circuit boards, low cost W8YFB	p. 16, Jan 75
Rating tubes for linear amplifier service W6UOV, W6SAI	p. 50, Mar 71	Antenna, bobtail curtain for 40 meters VE1TG	p. 58, Jul 69	Q factor, understanding W5JJ	p. 16, Dec 74
Reactance problems, nomograph for W6NIF	p. 51, Sep 70	Antenna, bow tie for 80 meters W9VMQ	p. 56, May 75	Radio communications links, basics of W1E2T	p. 44, Oct 69
Resistor performance at high frequencies K1ORV	p. 36, Oct 71	Antenna, converted vee for 80 and 40 W6JKR	p. 18, Dec 69	Receiver frequency calibrator W5UQS	p. 28, Dec 71
Resistors, frequency sensitive (HN) W8YFB	p. 54, Dec 70	Antenna couplers, simple W2EZY	p. 32, Jan 70	Receiver, regenerative for WWV WA5SNZ	p. 42, Apr 73
Resistors, frequency sensitive (letter) W5UHV	p. 68, Jul 71	Antenna ground system installation W1E2T	p. 64, May 70	Receivers, direct-conversion W3FQJ	p. 59, Nov 71
RF amplifier, wideband WB4KSS	p. 58, Apr 75	Antenna, long wire, multiband W3FQJ	p. 28, Nov 69	Rectifiers, improved half-wave Bailey	p. 34, Oct 73
Rf autotransformers, wideband K4KJ	p. 10, Nov 76	Antenna, multiband phased vertical WA7GXO	p. 33, May 72	Safety in the ham shack Darr	p. 44, Mar 69
Rf chokes, performance above and below resonance WA5SNZ	p. 40, Jun 78	Antenna systems for 40 and 80 meters K6KA	p. 55, Feb 70	Semiconductors, charge flow in WB6BIH	p. 50, Apr 71
Rf power-detecting devices K6JYO	p. 28, Jun 70	Antenna, top-loaded 80-meter vertical VE1TG	p. 48, Jun 69	Semiconductor diodes, evaluating W5JJ	p. 52, Dec 71
Rf power transistors, how to use WA7KRE	p. 8, Jan 70	Antenna tuning units W3FQJ	p. 58, Dec 72, p. 58, Jan 73	S-meters, circuits for K6SDX	p. 20, Mar 75
Rf interference, suppression in telephones K6LDZ	p. 79, Mar 77	Antenna, unidirectional for 40 meters GW3NJY	p. 61, Jan 70	Speaker intelligibility, improving WA5RAQ	p. 53, Aug 70
Safety circuit, pushbutton switch (HN) K3RFF, WA1FHB	p. 73, Feb 77	Antenna, 80-meter vertical VE1TG	p. 26, May 70	Swr bridge WB2ZSH	p. 55, Oct 71
Safety in the ham shack Darr, James	p. 44, Mar 69			Towers and rotators K6KA	p. 34, May 76

## novice reading

Ac power line monitor W2OLU	p. 46, Aug 71
Amplifiers, tube and transistor, tabulated characteristics of W5JJ	p. 30, Mar 71
Antenna, bobtail curtain for 40 meters VE1TG	p. 58, Jul 69
Antenna, bow tie for 80 meters W9VMQ	p. 56, May 75
Antenna, converted vee for 80 and 40 W6JKR	p. 18, Dec 69
Antenna couplers, simple W2EZY	p. 32, Jan 70
Antenna ground system installation W1E2T	p. 64, May 70
Antenna, long wire, multiband W3FQJ	p. 28, Nov 69
Antenna, multiband phased vertical WA7GXO	p. 33, May 72
Antenna systems for 40 and 80 meters K6KA	p. 55, Feb 70
Antenna, top-loaded 80-meter vertical VE1TG	p. 48, Jun 69
Antenna tuning units W3FQJ	p. 58, Dec 72, p. 58, Jan 73
Antenna, unidirectional for 40 meters GW3NJY	p. 61, Jan 70
Antenna, 80-meter vertical VE1TG	p. 26, May 70

Transistor power dissipation, how to determine	WN9CGW	p. 56, Jun 71
Transmitter keying, improving	K6KA	p. 44, Jun 76
Transmitter, low-power, 80-meter	W3FQJ	p. 50, Aug 75
Transmitter, multiband low power with vfo	K8EEG	p. 39, Jul 72
Transmitter power levels	WA5SNZ	p. 62, Apr 71
Troubleshooting, basic	James	p. 54, Jan 76
Troubleshooting by voltage measurements	James	p. 64, Feb 76
Troubleshooting, resistance measurements	James	p. 58, Apr 76
Troubleshooting, thinking your way through	Allen	p. 58, Feb 71
Tuneup, off-the-air	W4MB	p. 40, Mar 76
Underground coaxial transmission line, how to install	WØFCH	p. 38, May 70
Vertical antennas, improving efficiency	K6FD	p. 54, Dec 74
Vfo for 40 and 80 meters	W3QBO	p. 36, Aug 70
Vfo, stable solid-state	K4BGF	p. 8, Dec 71
Wiring and grounding	W1EZT	p. 44, Jun 69
Workbench, electronics	W1EZT	p. 50, Oct 70

## operating

Beam antenna headings	W6FFC	p. 64, Apr 71
Code practice stations (letter)	WB4LXJ	p. 75, Dec 72
Code practice (HN)	W2OUX	p. 74, May 73
Computers and ham radio	W5TOM	p. 60, Mar 69
CW monitor	W2EEY	p. 46, Aug 69
CW monitor, simple	WA9OHR	p. 65, Jan 71
CW transceiver operation with transmit-receive offset	W1DAX	p. 56, Sep 70
DXCC check list, simple	W2CNQ	p. 55, Jun 73
Fluorescent light, portable (HN)	K8BYO	p. 62, Oct 73
Great-circle charts (HN)	K6KA	p. 62, Oct 73
Identification timer (HN)	K9UQN	p. 60, Nov 74
Magazines, use your old	Foster	p. 52, Jan 70
Morse code, speed standards for	VE2ZK	p. 68, Apr 73
Added note (letter)		p. 68, Jan 74
Protective material, plastic (HN)	W6BXX	p. 58, Dec 70
Replays, instant (HN)	W6DNS	p. 67, Feb 70
Sideband location (HN)	K6KA	p. 62, Aug 73
Spurious signals (HN)	K6KA	p. 61, Nov 74
Tuning with ssb gear	WØKD	p. 40, Oct 70
Zulu time (HN)	K6KA	p. 58, Mar 73

## oscillators

Audio oscillator, NE566 IC	W1EZT	p. 36, Jan 75
Blocking oscillators	W6GXX	p. 45, Apr 69
Clock oscillator, TTL (HN)	W9ZTK	p. 56, Dec 73
Colpitts oscillator design technique	WB6BPI	p. 78, Jul 78
Crystal oscillator, frequency adjustment of	W9ZTK	p. 42, Aug 72
Crystal oscillator, high stability	W6TNS	p. 36, Oct 74
Crystal oscillators	W6GXX	p. 33, Jul 69
Crystal oscillator, simple (HN)	W2OUX	p. 98, Nov 77
Crystal oscillators, stable	DJ2LR	p. 34, Jun 75
Correction		p. 67, Sep 75
Crystal oscillators, survey of	VK2ZTB	p. 10, Mar 76
IC crystal controlled oscillators (letter)	W7EKC	p. 91, Jan 78
Crystal oven, simple (HN)	Mathieson	p. 66, Apr 76
Crystal ovens, precision temperature control	K4VA	p. 34, Feb 78

IC crystal controlled oscillators	VK2ZTB	p. 10, Mar 76
Crystal switching (HN)	K6LZM	p. 70, Mar 69
Crystal test oscillator and signal generator	K4EEU	p. 46, Mar 73
Crystals, overtone (HN)	G8ABR	p. 72, Aug 72
Drift-correction circuit for free running oscillators	PAØKSB	p. 45, Dec 77
Goral oscillator notes (HN)	K5QIN	p. 66, Apr 76
Hex inverter vxo circuit	W2LTJ	p. 50, Apr 75
Local oscillator, phase locked	VE5FP	p. 6, Mar 71
Monitoring oscillator	W2JIO	p. 36, Dec 72
Multiple band master-frequency oscillator	K6SDX	p. 50, Nov 75
Multivibrator, crystal-controlled	WN2MQY	p. 65, Jul 71
Noise sideband performance in oscillators, evaluating	DJ2LR	p. 51, Oct 78
Oscillator, audio, IC	W6GXX	p. 50, Feb 73
Oscillator, electronic keyer	WA6JNJ	p. 44, Jun 70
Oscillator, Franklin (HN)	W5JJ	p. 61, Jan 72
Oscillator, frequency measuring	W6IEL	p. 16, Apr 72
Added notes		p. 90, Dec 72
Oscillator, gated (HN)	WB9KEY	p. 59, Jul 75
Oscillator-monitor, audio	WA1JSM	p. 48, Sep 70
Oscillator, phase-locked	VE5FP	p. 6, Mar 71
Oscillator, two-tone, for ssb testing	W6GXX	p. 11, Apr 72
Oscillators (HN)	W1DITY	p. 68, Nov 69
Oscillators, cure for cranky (HN)	W8YFB	p. 55, Dec 70
Oscillators, repairing	Allen	p. 69, Mar 70
Oscillators, resistance-capacitance	W6GXX	p. 18, Jul 72
Overtone crystal oscillators without inductors	WA5SNZ	p. 50, Apr 78
Quadrature-phased local oscillator (letter)	K6ZX	p. 62, Sep 75
Quartz crystals (letter)	WB2EGZ	p. 74, Dec 72
Stable vfo (C&T)	W1DITY	p. 51, Jun 76
TTL crystal oscillators (HN)	WØJVA	p. 60, Aug 75
TTL oscillator (HN)	WB6VZW	p. 77, Feb 78
Vco, crystal-controlled	WB6IOM	p. 58, Oct 69
Versatile audio oscillator (HN)	W7BBX	p. 72, Jan 76
Vfo buffer amplifier (HN)	W3QBO	p. 66, Jul 71
Vfo design, stable	W1CER	p. 10, Jun 76
Vfo design using characteristic curves	I2BVZ	p. 36, Jun 78
Regulated power supplies, designing	K5VKO	p. 58, Sep 77
Vfo, digital readout	WB8IFM	p. 14, Jan 73
Vfo for solid-state transmitters	W3QBO	p. 36, Aug 70
Vfo, high stability	W8YFB	p. 14, Mar 69
Vfo, high-stability, vhf	OH2CD	p. 27, Jan 72
Vfo, multiband fet	K8EEG	p. 39, Jul 72
Vfo, stable	K4BGF	p. 8, Dec 71
Vfo transistors (HN)	W1OOP	p. 74, Nov 69
Vxo design, practical	K6BIJ	p. 22, Aug 70
5-ampere power supply, adjustable	N1JR	p. 50, Dec 78

## power supplies

Ac current monitor (letter)	WB5MAP	p. 61, Mar 75
Ac power supply, regulated, for mobile fm equipment	W8TMP	p. 28, Jun 73
All-mode-protected power supply	K2PMA	p. 74, Oct 77
Arc suppression networks (HN)	WA5EKA	p. 70, Jul 73
Batteries, selecting for portable equipment	WAØAIK	p. 40, Aug 73

Battery drain, auxiliary, guard for (HN)	W1DITY	p. 74, Oct 74
Battery power	W3FQJ	p. 56, Aug 74
Charger, fet-controlled, for nicad batteries	WAØJYK	p. 46, Aug 75
Constant-current battery charger for portable operation	K5PA	p. 34, Apr 78
Converter, 12 to 6 volt (C&T)	W1DITY	p. 42, Apr 76
Current limiting (HN)	WØLPO	p. 70, Dec 72
Current limiting (letter)	K5MKO	p. 66, Oct 73
Dc-dc converter, low-power	W5MLY	p. 54, Mar 75
Dc power supply, regulated (C&T)	W1DITY	p. 51, Jun 76
Diode surge protection (HN)	WA7LUIJ	p. 65, Mar 72
Added note		p. 77, Aug 72
Dry-cell life	W1DITY	p. 41, Apr 76
Dual-voltage power supply (HN)	W1OOP	p. 71, Apr 69
Short circuit		p. 80, Aug 69
Dual-voltage power supply (HN)	W5JJ	p. 68, Nov 71
Filament transformers, miniature	Bailey	p. 66, Sep 74
IC power (HN)	W3KBM	p. 68, Apr 72
IC power supply, adjustable (HN)	W3HB	p. 95, Jan 78
IC regulated power supply	W2FBW	p. 50, Nov 70
IC regulated power supply	W9SEK	p. 51, Dec 70
Instantaneous-shutdown high-current regulated supply	W6GB	p. 81, Jun 78
Klystrons, reflex power for (HN)	W6BPK	p. 71, Jul 73
Line-voltage monitor (HN)	W8VFK	p. 66, Jan 74
Current monitor mod (letter)		p. 61, Mar 75
Load protection, scr (HN)	W5OZF	p. 62, Oct 72
Low-value voltage source (HN)	WA5EKA	p. 66, Nov 71
Low voltage, variable bench power supply (weekender)	W6NBI	p. 58, Mar 76
Mobile power supplies, troubleshooting	Allen	p. 56, Jun 70
Mobile power supply (HN)	WN8DJV	p. 79, Apr 70
Mobile supply, low-cost (HN)	W4GEG	p. 69, Jul 70
Motorola Dispatcher, converting to 12 volts	WB6HXU	p. 26, Jul 72
Nicad battery care (HN)	W1DHZ	p. 71, Feb 76
Operational power supply	WA2IKL	p. 8, Apr 70
Overvoltage protection (HN)	W1AAZ	p. 64, Apr 76
Pilot-lamp life (HN)	W2OLU	p. 71, Jul 73
Polarity inverter, medium current	Laughlin	p. 26, Nov 73
Power supplies for single sideband	Belt	p. 38, Feb 69
Power-supply hum (HN)	W8YFB	p. 64, May 71
Power supply, improved (HN)	W4ATE	p. 72, Feb 72
Power supply, precision	W7SK	p. 26, Jul 71
Power supply protection for your solid-state circuits	W5JJ	p. 36, Jan 70
Power supply troubleshooting (repair bench)	K4IPV	p. 78, Sep 77
Precision voltage supply for phase-locked terminal unit (HN)	WA6TLA	p. 60, Jul 74
Protection for solid-state power supplies (HN)	W3NK	p. 66, Sep 70
Rectifier, half-wave, improved	Bailey	p. 34, Oct 73
Regulated power supplies, how to design	K5VKQ	p. 58, Sep 77
Regulated power supplies, designing (letter)	W9HFR	p. 110, Mar 78
Regulated power supply, 500-watt	WA6PEC	p. 30, Dec 77
Regulated solid-state high-voltage power supply	W6GXX	p. 40, Jan 75
Short circuit		p. 69, Apr 75
Regulated 5-volt supply (HN)	W6UNF	p. 67, Jan 73
SCR-regulated power supplies	W4GOC	p. 52, Jul 70
Selenium rectifiers, replacing	W1DITY	p. 41, Apr 76

Servicing power supplies	
W6GXN	p. 44, Nov 76
Solar energy	
W3FQJ	p. 54, Jul 74
Solar power	
W3FQJ	p. 52, Nov 74
Solar power source, 36-volt	
W3FQJ	p. 54, Jan 77
Step-start circuit, high-voltage (HN)	
W6VFR	p. 64, Sep 71
Storage-battery QRP power	
W3FQJ	p. 64, Oct 74
Super regulator, the MPC1000	
W3HUC	p. 52, Sep 76
Survey of solid-state power supplies	
W6GXN	p. 25, Feb 70
Short circuit	p. 76, Sep 70
Transformers, high-voltage, repairing	
W6NIF	p. 66 Mar 69
Transformers, miniature (HN)	
W4ATE	p. 67, Jul 72
Transient eliminator (C&T)	
W1DTY	p. 52, Jun 76
Transients, reducing	
W5JJ	p. 50, Jan 73
Variable power supply for transistor work	
WA4MTH	p. 68, Mar 76
Variable-voltage power supply, 1.2 amps	
WB6AFT	p. 36, Jul 78
Vibrator replacement, solid-state (HN)	
K8RAY	p. 70, Aug 72
Voltage regulators, IC	
W7FLC	p. 22, Oct 70
Voltage regulator ICs, adjustable	
WB9KEY	p. 36, Aug 75
Voltage-regulator ICs, three-terminal	
WB5EMI	p. 26, Dec 73
Added note (letter)	p. 73, Sep 74
Voltage regulators, boosting bargain (HN)	
WA7VVC	p. 90, May 77
Voltage regulators, IC	
W6GXN	p. 31, Mar 77
Voltage safety valve	
W2UVF	p. 78, Oct 76
Wind generators	
W3FQJ	p. 50, Jan 75

## propagation

Artificial radio aurora, scattering characteristics of	
WB6KAP	p. 18, Nov 74
Echoes, long delay	
WB6KAP	p. 61, May 69
Ionospheric E-layer	
WB6KAP	p. 58, Aug 69
Ionospheric science, short history of	
WB6KAP	p. 58, Jun 67
Scatter-mode propagation, frequency synchronization for	
K2OVS	p. 26, Sep 71
Solar cycle 20, vhf'er's view of	
WA5IYX	p. 46, Dec 74
Sunspot numbers	
WB6KAP	p. 63, Jul 69
Sunspots and solar activity	
WB6KAP	p. 60, Jan 69
Tropospheric-duct vhf communications	
WB6KAP	p. 68, Oct 69
6-meter sporadic-E openings, predicting	
WA9RAQ	p. 38, Oct 72
Added note (letter)	p. 69, Jan 74

## receivers and converters

### general

Antenna impedance transformer for receivers (HN)	
W6NIF	p. 70, Jan 70
Antenna tuner, miniature receiver (HN)	
WA7KRE	p. 72, Mar 69
Anti-QRM methods	
W3FQJ	p. 50, May 71
Attenuation pads, receiving (letter)	
KØHNQ	p. 69, Jan 74
Audio agc amplifier	
WA5SNZ	p. 32, Dec 73
Audio agc principles and practice	
WA5SNZ	p. 28, Jun 71
Audio filter for CW, tunable	
WA1JSM	p. 34, Aug 70
Audio filter-frequency translator for CW reception	
W2EEY	p. 24, Jun 70
Audio filter mod (HN)	
K6HIU	p. 60, Jan 72
Audio filter, simple	
W4NVK	p. 44, Oct 70
Audio filters, CW (letter)	
6Y5SR	p. 56, Jun 75
Audio filters for ssb and CW reception.	
K6SDX	p. 18, Nov 76

Audio-filters, inexpensive	
W8YFB	p. 24, Aug 72
Audio filter, tunable peak-notch	
W2EEY	p. 22, Mar 70
Audio filter, variable bandpass	
W3AEX	p. 36, Apr 70
Audio, improved for receivers	
K7GCO	p. 74, Apr 77
Audio module, complete	
K4DHC	p. 18, Jun 73
Bandspreeding techniques for resonant circuits	
Anderson	p. 46, Feb 77
Short circuits	p. 69, Dec 77
Bandspreeding techniques for resonant circuits	
Anderson, Leonard H.	p. 46, Feb 77
Bandspreeding techniques for resonant circuits (letter)	
WØEJO	p. 6, Aug 78
Batteries, how to select for portable equipment	
WAØAIK	p. 40, Aug 73
Bfo multiplexer for a multimode detector	
WA3YGY	p. 52, Oct 75
Calibrator crystals (HN)	
K6KA	p. 66, Nov 71
Calibrator, plug-in frequency	
K6KA	p. 22, Mar 69
Calibrator, simple frequency-divider using mos ICs	
W6GXN	p. 30, Aug 69
Communications receivers, design ideas for	
Moore	p. 12, Jun 74
Communications receivers, designing for strong-signal performance	
Moore	p. 6, Feb 73
Converting a vacuum-tube receiver to solid-state	
W1OOP	p. 26, Feb 69
Counter dials, electronic	
K6KA	p. 44, Sep 70
Crystal-filter design, practical	
PY2PEC	p. 34, Nov 76
CW filter, adding (HN)	
W2OUX	p. 66, Sep 73
CW monitor, simple	
WA9OHR	p. 65, Jan 71
CW processor for communications receivers	
W6NRW	p. 17, Oct 71
CW reception, enhancing through a simulated-stereo technique	
WA1MKP	p. 61, Oct 74
CW reception, noise reduction for	
W2ELV	p. 52, Sep 73
CW regenerator for interference-free communications	
Leward, Libenschek	p. 54, Apr 74
CW selectivity with crystal bandpassing	
W2EEY	p. 52, Jun 69
CW transceiver operation with transmit-receive offset	
W1DAX	p. 56, Sep 70
Detector, reciprocating	
W1SNN	p. 32, Mar 72
Added notes	p. 54, Mar 74; p. 76, May 75
Detector, single-signal phasing type	
WB9CYY	p. 71, Oct 76
Short circuit	p. 68, Dec 77
Detector, superregenerative, optimizing	
Ring	p. 32, Jul 72
Detectors, fm, survey of	
W6GXN	p. 22, Jun 76
Digital frequency display	
WB2NVK	p. 26, Sep 76
Digital readout, universal	
WB8IFM	p. 34, Dec 78
Digital vfo basics	
Earnshaw	p. 18, Nov 78
Diode detectors	
W6GXN	p. 28, Jan 76
Comments	p. 77, Feb 77
Direct-conversion receivers (HN)	
YU2HL	p. 100, Sep 78
Diversity receiving system	
W2EEY	p. 12, Dec 71
Double-balanced mixer, active, high-dynamic range	
DJ2LR	p. 90, Nov 77
Filter alignment	
W7UC	p. 61, Aug 75
Filter, vari-Q	
W1SNN	p. 62, Sep 73
Frequency calibrator, how to design	
W3AEX	p. 54, Jul 71
Frequency calibrator, receiver	
W5UQS	p. 28, Dec 71
Frequency-marker standard using cmos	
W4IYB	p. 44, Aug 77
Frequency measurement of received signals	
W4AAD	p. 38, Oct 73
Frequency spotter, general coverage	
W5JJ	p. 36, Nov 70
Frequency standard (HN)	
WA7JIK	p. 69, Sep 72
Frequency standard, universal	
K4EEU	p. 40, Feb 74
Short circuit	p. 72, May 74

Hang agc circuit for ssb and CW	
W1ERJ	p. 50, Sep 72
Headphone cords (HN)	
W2OLU	p. 62, Nov 75
I-f amplifier design	
DJ2LR	p. 10, Mar 77
Short circuit	p. 94, May 77
I-f detector receiver module	
K6SDX	p. 34, Aug 76
I-f system, multimode	
WA2IKL	p. 39, Sep 71
Image suppression (HN)	
W6NIF	p. 68, Dec 72
Intelligibility of communications receivers, improving	
WA5RAQ	p. 53, Aug 70
Interference, electric fence	
K6KA	p. 68, Jul 72
Interference, hi-fi (HN)	
K6KA	p. 63, Mar 75
Interference, rf	
W1DTY	p. 12, Dec 70
Interference, rf	
WA3NFW	p. 30, Mar 73
Interference, rf, its cause and cure	
G3LLL	p. 26, Jun 75
Intermodulation distortion, reducing in high-frequency receivers	
WB4ZNV	p. 26, Mar 77
Short circuit	p. 69, Dec 77
Local oscillator, phase-locked	
VE5FP	p. 6, Mar 71
Local-oscillator waveform effects on spurious mixer responses	
Robinson, Smith	p. 44, Jun 74
Mixer, crystal	
W2LTJ	p. 38, Nov 75
Monitor receiver modification (HN)	
W2CNC	p. 72, Feb 76
Noise blanker	
K4DHC	p. 38, Feb 73
Noise blanker design	
K7CVT	p. 26, Nov 77
Noise blanker, hot-carrier diode	
W4KAE	p. 16, Oct 69
Short circuit	p. 76, Sep 70
Noise blanker, IC	
W2EEY	p. 52, May 69
Short circuit	p. 79, Jun 70
Noise effects in receiving systems	
DJ2LR	p. 34, Nov 77
Noise figure, the real meaning of	
K6MIO	p. 26, Mar 69
Phase-locked 9-MHz bfo	
W7GHM	p. 49, Nov 78
Phase-shift networks, design criteria	
G3NRW	p. 34, Jun 70
Preampifier, wideband	
W1AAZ	p. 60, Oct 76
Product detector, hot-carrier diode	
VE3GFN	p. 12, Oct 69
Radio-direction finder	
W6JTT	p. 38, Mar 70
Radio-frequency interference	
WA3NFW	p. 30, Mar 73
Radiotelegraph translator and transcriber	
W7CUU, K7KFA	p. 8, Nov 71
Eliminating the matrix	
KH6AP	p. 60, May 72
Receiver spurious response	
Anderson	p. 82, Nov 77
Receivers — some problems and cures	
WBØJGP, K8RRH	p. 10, Dec 77
Receiving RTTY, automatic frequency control for	
W5NPO	p. 50, Sep 71
Reciprocating detector as fm discriminator	
W1SNN	p. 18, Mar 73
Reciprocating-detector converter	
W1SNN	p. 58, Sep 74
Resurrecting old receivers	
K4IPV	p. 52, Dec 76
Rf-agc amplifier, high-performance	
WA1FRJ	p. 64, Sep 78
Rf amplifiers for communications receivers	
Moore	p. 42, Sep 74
Rf amplifiers, isolating parallel currents in	
G3IPV	p. 40, Feb 77
Rf amplifier, wideband	
WB4KSS	p. 58, Apr 75
Selectivity and gain control, improved	
VE3GFN	p. 71, Nov 77
Selectivity, receiver (letter)	
K4ZZV	p. 68, Jan 74
Sensitivity, noise figure and dynamic range	
W1DTY	p. 8, Oct 75
Signals, how many does a receiver see?	
DJ2LR	p. 58, Jun 77
Comments	p. 101, Sep 77
S-meters, solid-state	
K6SDX	p. 20, Mar 75
Spectrum analyzer, four channel	
W9IA	p. 6, Oct 72
Squelch, audio-actuated	
K4MOG	p. 52, Apr 72
Ssb signals, monitoring	
W6VFR	p. 36, Mar 72

Superhet tracking calculations	
WA5SNZ	p. 30, Oct 78
Superregenerative detector, optimizing	
Ring	p. 32, Jul 72
Superregenerative receiver, improved	
JA1BHG	p. 48, Dec 70
Threshold-gate/limiter for CW reception	
W2ELV	p. 46, Jan 72
Added notes (letter)	
W2ELV	p. 59, May 72
Troubleshooting the dead receiver	
K4IPV	p. 56, Jun 76
Vacuum-tube receivers, updating	
W6HPH	p. 62, Dec 78
Vlf converter (HN)	
W3CPU	p. 69, Jul 76
Weak signal reception in CW receivers	
ZS6BT	p. 44, Nov 71
WWV receiver, five-frequency	
W6GXN	p. 36, Jul 76

## high-frequency receivers

Bandpass filters for receiver preselectors	
W7ZOI	p. 18, Feb 75
Bandpass tuning, electronic, in the Drake R-4C	
Hornor	p. 58, Oct 73
BC-1206 for 7 MHz, converted	
W4FIN	p. 30, Oct 70
Short circuit	p. 72, Apr 71
Collins receivers, 300-Hz crystal filter for	
W1DITY	p. 58, Sep 75
Collins receivers (letter)	
G3UFZ	p. 90, Jan 78
Collins 75A4 hints (HN)	
W6VFR	p. 68, Apr 72
Collins 75A-4 modifications (HN)	
W4SD	p. 67, Jan 71
Communications receiver, five band	
K6SDX	p. 6, Jun 72
Communications receiver for 80 meters, IC	
VE3ELP	p. 6, Jul 71
Communications receiver, micropower	
WB9FHC	p. 30, Jun 73
Short circuit	p. 58, Dec 73
Communications receivers, miniature design ideas for	
K4DHC	p. 18, Apr 76
Communications receiver, miniaturized	
K4DHC	p. 24, Sep 74
Communications receiver, optimum design for	
DJ2LR	p. 10, Oct 76
Communications receiver, solid-state	
I5TDJ	p. 32, Oct 75
Correction	p. 59, Dec 75
Companion receiver, all-mode	
W1SNN	p. 18, Mar 73
Converter, hf, solid-state	
VE3GFN	p. 32, Feb 72
Converter, tuned very low-frequency	
OH2KT	p. 49, Nov 74
Converter, very low frequency receiving	
W2IMB	p. 24, Nov 76
Crystal-controlled phase-locked converter	
W3VF	p. 58, Dec 77
Digitally programmable high-frequency communications receiver	
WA9HUV	p. 10, Oct 78
Direct-conversion receivers	
W3FQJ	p. 59, Nov 71
Direct-conversion receivers	
PAØSE	p. 44, Nov 77
Direct-conversion receivers, improved selectivity	
K6BIJ	p. 32, Apr 72
Direct-conversion receivers, simple active filters for	
W7ZOI	p. 12, Apr 74
Double-conversion hf receiver with mechanical frequency readout	
Perolo	p. 26, Oct 76
Fet converter for 10 to 40 meters, second-generation	
VE3GFN	p. 28, Jan 70
Short circuit	p. 79, Jun 70
Frequency synthesized local-oscillator system	
W7GHH	p. 60, Oct 78
Frequency synthesizer for the Drake R-4	
W6NBI	p. 6, Aug 72
Modification (letter)	p. 74, Sep 74
General coverage communications receiver	
W6URH	p. 10, Nov 77
Gonset converter, solid-state modification of	
Schuler	p. 58, Sep 69
Hammarlund HQ215, adding 160-meter coverage	
W2GHH	p. 32, Jan 72
Heath SB-650 frequency display, using with other receivers	
K2BYM	p. 40, Jun 73
High dynamic range receiver input stages	
DJ2LR	p. 26, Oct 75
High-frequency DX receiver	
WB2ZVU	p. 10, Dec 76
Incremental tuning to your transceiver, adding	
VE3GFN	p. 66, Feb 71
Monitoring oscillator	
W2JIO	p. 36, Dec 72

Multiband high-frequency converter	
K6SDX	p. 32, Oct 76
Outboard receiver with the SB-100, using an (HN)	
K4GMR	p. 68, Feb 70
Overload response in the Collins 75A-4 receiver, improving	
W6ZO	p. 42, Apr 70
Short circuit	p. 76, Sep 70
Phasing-type ssb receiver	
WAØJYK	p. 6, Aug 73
Short circuit	p. 58, Dec 73
Added note (letter)	p. 63, Jun 74
Preamplifier, emitter-tuned, 21 MHz	
WA5SNZ	p. 20, Apr 72
Preamplifier, low-noise high-gain transistor	
W2EEY	p. 66, Feb 69
Preselector, general-coverage (HN)	
W5OZF	p. 75, Oct 70
Q5er, solid-state	
W5TKP	p. 20, Aug 69
Receiver incremental tuning for the Swan 350 (HN)	
K1KXA	p. 64, Jul 71
Receiver, reciprocating detector	
W1SNN	p. 44, Nov 72
Correction (letter)	p. 77, Dec 72
Receiver, versatile solid-state	
W1PLJ	p. 10, Jul 70
Receiving RTTY with Heath SB receivers (HN)	
K9HWV	p. 64, Oct 71
Reciprocating detector	
W1SNN	p. 68, Oct 78
RF amplifiers, selective	
K6BIJ	p. 58, Feb 72
Regenerative detectors and a wideband amplifier for experimenters	
W8YFB	p. 61, Mar 70
RTTY monitor receiver	
K4EEU	p. 27, Dec 72
RTTY receiver-demodulator for net operation	
VE7BRK	p. 42, Feb 73
Swan 350 CW monitor (HN)	
K1KXA	p. 63, Jun 72
Transceiver selectivity improved (HN)	
VE3BWD	p. 74, Oct 70
Tuner overload, eliminating (HN)	
VE3GFN	p. 66, Jan 73
Attenuators for (letter)	p. 69, Jan 74
WWV receiver	
Hudor, Jr.	p. 28, Feb 77
WWV receiver, fixed-tuned	
W6GXN	p. 24, Nov 69
WWV receiver, regenerative	
WA5SNZ	p. 42, Apr 73
WWV receiver, simple (HN)	
WA3JBN	p. 68, Jul 70
Short circuit	p. 72, Dec 70
WWV receiver, simple (HN)	
WA3JBN	p. 55, Dec 70
WWV-WVVH, amateur applications for	
W3FQJ	p. 53, Jan 72
20-meter receiver with digital readout, part 1	
K6SDX	p. 48, Oct 77
20-meter receiver with digital readout, part 2	
K6SDX	p. 56, Nov 77
160-meter receiver, simple	
W6FPO	p. 44, Nov 70
1.9 MHz receiver	
W3TNO	p. 6, Dec 69
7-MHz direct-conversion receiver	
WØYBF	p. 16, Jan 77
7-MHz ssb receiver and transmitter, simple	
VE3GS	p. 6, Mar 74
Short circuit	p. 62, Dec 74

## vhf receivers and converters

Converters for six and two meters, mosfet	
WB2EGZ	p. 41, Feb 71
Short circuit	p. 96, Dec 71
Cooled preamplifier for vhf-uhf	
WAØRDX	p. 36, Jul 72
Filter-preamplifiers for 50 and 144 MHz etched	
W5KNT	p. 6, Feb 71
Fm channel scanner	
W2FPP	p. 29, Aug 71
Fm communications receiver, modular	
K8AUH	p. 32, Jun 69
Correction	p. 71, Jan 70
Fm receiver frequency control (letter)	
W3AFN	p. 65, Apr 71
Fm receiver performance, comparison of	
VE7ABK	p. 68, Aug 72
Fm receiver, multichannel for six and two	
W1SNN	p. 54, Feb 74
Fm receiver, tunable vhf	
K8AUH	p. 34, Nov 71
Fm receiver, uhf	
WA2GCF	p. 6, Nov 72
Fm repeaters, receiving system degradation in	
K5ZBA	p. 36, May 69

HW-17A, parking up (HN)	
WB2EGZ	p. 70, Aug 70
Improving vhf/uhf receivers	
W1JAA	p. 44, Mar 76
Interdigital preamplifier and comb-line bandpass filter for vhf and uhf	
W5KHT	p. 6, Aug 70
Interference, scanning receiver (HN)	
K2YAH	p. 70, Sep 72
Monitor receivers, two-meter fm	
WB5EMI	p. 34, Apr 74
Overload problems with vhf converters, solving	
W10OP	p. 53, Jan 73
Receiver alignment techniques, vhf fm	
K4IPV	p. 14, Aug 75
Receiver, modular two-meter fm	
WA2GFB	p. 42, Feb 72
Receiver, vhf fm	
WA2GCF	p. 8, Nov 75
Receiving converter, vhf four-band	
W3TQM	p. 64, Oct 76
Scanning receiver for vhf fm, improved	
WA2GCF	p. 26, Nov 74
Scanning receiver modifications, vhf fm (HN)	
WA5WOU	p. 60, Feb 74
Scanning receivers for two-meter fm	
K4IPV	p. 28, Aug 74
Six-meter converter, improved	
K1BQT	p. 50, Aug 70
Squelch-audio amplifier for fm receivers	
WB4WSU	p. 68, Sep 74
Ssb mini-tuner	
K1BQT	p. 16, Oct 70
Terminator, 50-ohm for vhf converters	
WA6UAM	p. 26, Feb 77
Vhf fm receiver (letter)	
K8IHQ	p. 76, May 73
Vhf receiver scanner	
K2LZG	p. 22, Feb 73
Vhf superregenerative receiver, low-voltage	
WA5SNZ	p. 22, Jul 73
Short circuit	p. 64, Mar 74
28-30 MHz preamplifier for satellite reception	
W1JAA	p. 48, Oct 75
50-MHz preamplifier, improved	
WA2GCF	p. 46, Jan 73
144-MHz converter (HN)	
KØVQY	p. 71, Aug 70
144-MHz converter (letter)	
WØLER	p. 71, Oct 71
144 MHz converter, hot-carrier diode	
K8CJU	p. 6, Oct 69
144-MHz converter, modular	
W6UOV	p. 64, Oct 70
144 MHz converters, choosing fets for (HN)	
K6JYO	p. 70, Aug 69
144-MHz preamp, low-noise	
W1DITY	p. 40, Apr 76
144-MHz preamp, super (HN)	
K6HCP	p. 72, Oct 69
144-MHz preamplifier, improved	
WA2GCF	p. 25, Mar 72
Added notes	p. 73, Jul 72
220-MHz mosfet converter	
WB2EGZ	p. 28, Jan 69
Short circuit	p. 76, Jul 69
432-MHz converter, low-noise	
K6JC	p. 34, Oct 70
432 MHz preamp (HN)	
W1DITY	p. 66, Aug 69
432 MHz preamplifier and converter	
WA2GCF	p. 40, Jul 75
1296-MHz converter, solid-state	
VK4ZT	p. 6, Nov 70
1296 MHz, double-balanced mixers for	
WA6UAM	p. 8, Jul 75
1296-MHz preamplifier	
WA6UAM	p. 42, Oct 75
1296-MHz preamplifier, low-noise	
WA2VTR	p. 50, Jun 71
Added note (letter)	p. 65, Jan 72
2340-MHz converter, solid-state	
K2JNG, WA2LTM, WA2VTR	p. 16, Mar 72
2304-MHz preamplifier, solid-state	
WA2VTR	p. 20, Aug 72

## receivers and converters, test and troubleshooting

Rf and i-f amplifiers, troubleshooting	
Allen	p. 60, Sep 70
Weak-signal source, variable-output	
K6JYO	p. 36, Sep 71
Weak-signal source, 144 and 432 MHz	
K6JC	p. 58, Mar 70

## RTTY

AFSK, digital	
WA4VOS	p. 22, Mar 77
Short circuit	p. 94, May 77



AFSK generator (HN)  
 FBKI p. 69, Jul 76

AFSK generator and demodulator  
 WB9ATW p. 26, Sep 77

AFSK generator, crystal-controlled  
 K7BVT p. 13, Jul 72

AFSK generator, crystal-controlled  
 W6LLO p. 14, Dec 73

Sluggish oscillator (letter)  
 Audio-frequency keyer, simple  
 W2LTJ p. 56, Aug 75

Audio-frequency shift keyer  
 KH6FMT p. 45, Sep 76

Audio-frequency shift keyer, simple  
 (C&T)  
 W1DTY p. 43, Apr 76

Audio-shift keyer, continuous-phase  
 VE3CTP p. 10, Oct 73

Short circuit  
 p. 64, Mar 74

Automatic frequency control for receiving RTTY  
 W5NPO p. 50, Sep 71

Added note (letter)  
 p. 66, Jan 72

Autostart, digital RTTY  
 K4EEU p. 6, Jun 73

Autostart monitor receiver  
 K4EED p. 37, Dec 72

CRT intensifier for RTTY  
 K4VFA p. 18, Jul 71

Carriage return, adding to the automatic  
 line-feed generator (HN)  
 K4EEU p. 71, Sep 74

Cleaning teleprinters (HN)  
 W8CD p. 86, May 78

Coherent frequency-shift keying, need for  
 K3WJQ p. 30, Jun 74

Added notes (letter)  
 p. 58, Nov 74

Crystal test oscillator and signal generator  
 K4EEU p. 46, Mar 73

CW memory for RTTY identification  
 W6LLO p. 6, Jan 74

Digital reper/TD  
 WB9ATW p. 58, Nov 78

DT-500 demodulator  
 K9HVV, K4OAH, WB4KUR p. 24, Mar 76

Short circuit  
 p. 85, Oct 76

DT-600 demodulator  
 K9HVV, K4OAH, WB4KUR p. 8, Feb 76

Letter, K5GZR  
 Short circuit  
 p. 78, Sep 76  
 p. 85, Oct 76

Dual demodulator terminal unit  
 WB8ATW p. 74, Oct 78

Electronic speed conversion for RTTY teleprinters  
 WA6JYJ p. 36, Dec 71

Printed circuit for  
 Electronic teleprinter keyboard  
 WØPHY p. 56, Aug 78

Frequency-shift meter, RTTY  
 VK3ZNV p. 53, Jun 70

Line-end indicator, IC  
 W2OKO p. 22, Nov 75

Line feed, automatic for RTTY  
 K4EEU p. 20, Jan 73

Mainline ST-5 autostart and antispace  
 K2YAH p. 46, Dec 72

Mainline ST-5 RTTY demodulator  
 W6FFC p. 14, Sep 70

Short circuit  
 p. 72, Dec 70

Mainline ST-6 RTTY demodulator  
 W6FFC p. 6, Jan 71

Short circuit  
 p. 72, Apr 71

Mainline ST-6 RTTY demodulator, more  
 uses for (letter)  
 W6FFC p. 69, Jul 71

Mainline ST-6 RTTY demodulator, troubleshooting  
 W6FFC p. 50, Feb 71

Message generator, random access memory  
 RTTY  
 K4EEU p. 8, Jan 75

Message generator, RTTY  
 W6OXP, W8KCQ p. 30, Feb 74

Modulator-demodulator for vhf operation  
 W6LLO p. 34, Sep 78

Monitor scope, phase-shift  
 W3CIX p. 36, Aug 72

Monitor scope, RTTY, Heath  
 HO-10 and SB-610 as (HN)  
 K9HVV p. 70, Sep 74

Monitor scope, RTTY, solid-state  
 WB2MPZ p. 33, Oct 71

Performance and signal-to-noise ratio  
 of low-frequency shift RTTY  
 K6SR p. 62, Dec 76

Phase-locked loop AFSK generator  
 K7ZOF p. 27, Mar 73

Phase-locked loop RTTY terminal unit  
 W4FQM p. 8, Jan 72

Correction  
 p. 60, May 72

Power supply for  
 Optimization of the phase-  
 locked terminal unit  
 Update, W4AYV p. 22, Sep 75

p. 16, Aug 76

Precise tuning with ssb gear  
 WØKD p. 40, Oct 70

Printed circuit for RTTY speed converter  
 W7POG p. 54, Oct 72

RAM RTTY message generator, increasing  
 capacity of (HN)  
 F2ES p. 86, Oct 77

Receiver-demodulator for RTTY net  
 operation  
 VE7BRK p. 42, Feb 73

Ribbon re-inkers  
 W6FFC p. 30, Jun 72

RTTY converter, miniature IC  
 K9MRL p. 40, May 69

Short circuit  
 p. 80, Aug 69

RTTY distortion: causes and cures  
 WB6IMP p. 36, Sep 72

RTTY for the blind (letter)  
 VE7BRK p. 76, Aug 72

RTTY, introduction to  
 K6JFP p. 38, Jun 69

RTTY line-length indicator (HN)  
 W2UVF p. 62, Nov 73

RTTY reception with Heath SB receivers (HN)  
 K9HVV p. 64, Oct 71

Selcom  
 K9HVV, WB4KUR, K4EID p. 10, Jun 78

Serial converter for 8-level teleprinters  
 VE3CTP p. 67, Aug 77

Short circuit  
 p. 68, Dec 77

Signal Generator, RTTY  
 W7ZTC p. 23, Mar 71

Short circuit  
 p. 96, Dec 71

Simple circuit replaces jack patch  
 panel  
 K4STE p. 25, Apr 76

Speed control, electronic, for RTTY  
 W3VF p. 50, Aug 74

ST-5 keys polar relay (HN)  
 WØLPD p. 72, May 74

Swan 350 and 400 equipment on RTTY (HN)  
 WB2MIC p. 67, Aug 69

Synchrophase afsk oscillator  
 W6FOO p. 30, Dec 70

Synchrophase RTTY reception  
 W6FOO p. 38, Nov 70

Tape editor  
 W3EAG p. 32, Jun 77

Teleprinters, new look in  
 W6JTT p. 38, Jul 70

Terminal unit, phase-locked loop  
 W4FQM p. 8, Jan 72

Correction  
 p. 60, May 72

Terminal unit, phase-locked loop  
 W4AYV p. 36, Feb 75

Terminal unit, variable-shift RTTY  
 W3VF p. 16, Nov 73

Test generator, RTTY  
 WB9ATW p. 64, Jan 78

Test generator, RTTY (HN)  
 W3EAG p. 67, Jan 73

Test generator, RTTY (HN)  
 W3EAG p. 59, Mar 73

Test-message generator, RTTY  
 K9GSC, K9PKQ p. 30, Nov 76

Time/date printout  
 WØLZT p. 18, Jun 76

Short circuit  
 p. 68, Dec 77

Voltage supply, precision for  
 phase-locked terminal unit (HN)  
 WA6TLA p. 60, Jul 74

## satellites

Amsat-Oscar D  
 W3PK, G3ZCZ p. 16, Apr 78

Antenna control, automatic azimuth/elevation  
 for satellite communications  
 WA3HLT p. 26, Jan 75

Correction  
 p. 58, Dec 75

Antenna, simple satellite (HN)  
 WA6PXY p. 59, Feb 75

Antennas, simple, for satellite  
 communications  
 K4GSX p. 24, May 74

Az-el antenna mount for satellite  
 communications  
 W2LX p. 34, Mar 75

Calcu-puter, OSCAR  
 W9CGI p. 34, Dec 78

Circularly-polarized ground-plane  
 antenna for satellite communications  
 K4GSX p. 28, Dec 74

Communications, first step to satellite  
 K1MTA p. 52, Nov 72

Added notes (letter)  
 p. 73, Apr 73

Future of the amateur satellite service  
 K2UBC p. 32, Aug 77

Medical data relay via Oscar  
 K7RGE p. 67, Apr 77

Oscar antenna (C&T)  
 W1DTY p. 50, Jun 76

Oscar antenna, mobile (HN)  
 W6OAL p. 67, May 76

Oscar az-el antenna system  
 WA1NXP p. 70, May 78

Oscar tracking program, HP-65  
 calculator (letters)  
 WA3THD p. 71, Jan 76

Oscar 7, communications techniques for  
 G3ZCZ p. 6, Apr 74

Programming for automated satellite  
 communication  
 KP4MD p. 68, Jun 78

Receiving preamplifier for OSCAR 8 Mode J  
 K1RX and Puglia p. 20, Jun 78

Satellite tracking — pointing and  
 range with a pocket calculator  
 Bail, John A. p. 40, Feb 78

Signal polarization, satellite  
 KH6JJ p. 6, Dec 72

Tracking the OSCAR satellites  
 Harmon, WA6UAP p. 18, Sep 77

28-30 MHz preamplifier for satellite  
 reception  
 W1JAA p. 48, Oct 75

432-MHz OSCAR antenna (HN)  
 W1JAA p. 58, Jul 75

## semiconductors

Antenna bearings for geostationary  
 satellites, calculating  
 N6TX p. 67, May 78

Antenna switch for meters, solid-state  
 K2ZSQ p. 48, May 69

Avalanche transistor circuits  
 W4NVK p. 22, Dec 70

Charge flow in semiconductors  
 WB6BIH p. 50, Apr 71

Converting a vacuum-tube receiver to  
 solid-state  
 W1OOP p. 26, Feb 69

Short circuit  
 p. 76, Jul 69

Diodes, evaluating  
 W5JJ p. 52, Dec 71

Dynamic transistor tester (HN)  
 VE7ABK p. 65, Oct 71

European semiconductor numbering system (C&T)  
 W1DTY p. 42, Apr 76

Fet bias problems simplified  
 WA5SNZ p. 50, Mar 74

Fet biasing  
 W3FQJ p. 61, Nov 72

Fetrons, solid-state replacements for tubes  
 W1DTY p. 4, Aug 72

Added notes  
 p. 66, Oct 73; p. 62, Jun 74

Frequency multipliers  
 W6GXN p. 6, Aug 71

Frequency multipliers, transistor  
 W6AJF p. 49, Jun 70

GaAs field-effect transistors, introduction  
 WA2ZZF p. 74, Jan 78

Glass semiconductors  
 W1EZT p. 54, Jul 69

Grid-dip oscillator, solid-state conversion of  
 W6AJZ p. 20, Jun 70

Heatsink problems, how to solve transistor  
 WA5SNZ p. 46, Jan 74

Impulse generator, snap diode  
 Siegal, Turner p. 29, Oct 72

Injection lasers, high power  
 Mims p. 28, Sep 71

Injection lasers (letter)  
 Mims p. 64, Apr 71

Linear power amplifier, high power solid-state  
 Chambers p. 6, Aug 74

Linear transistor amplifier  
 W3FQJ p. 59, Sep 71

Matching techniques, broadband, for  
 transistor rf amplifiers  
 WA7WHZ p. 30, Jan 77

Microwave amplifier design, solid state  
 WA6UAM p. 40, Oct 76

Mobile converter, solid-state modification of  
 Schuler p. 58, Sep 69

Mosfet circuits  
 W3FQJ p. 50, Feb 75

Mosfet power amplifier, 160 · 6 meters  
 WA1WLW p. 12, Nov 78

Mosfet transistors (HN)  
 WB2EGZ p. 72, Aug 69

Mospower fet (letter)  
 W3QQM p. 110, Mar 78

Motorola fets (letter)  
 W1CER p. 64, Apr 71

Neutralizing small-signal amplifiers  
 WA4WDK p. 40, Sep 70

Noise, zener-diode (HN)  
 VE7ABK p. 59, Jun 75

Parasitic oscillations in high-power  
 transistor rf amplifiers  
 WØKGI p. 54, Sep 70

Pentode replacement (HN)  
 W1DTY p. 70, Feb 70

Power dissipation ratings of transistors  
 WN9CGW p. 56, Jun 71

Power fets  
 W3FQJ p. 34, Apr 71

Power transistors, paralleling (HN)  
 WA5EKA p. 62, Jan 72

Protecting solid-state devices from  
 voltage transients  
 WB5DEP p. 74, Jun 78

Relay, transistor replaces (HN)  
 W3NK p. 72, Jan 70

Rf power detecting devices  
 K6JYO p. 28, Jun 70

Rf power transistors, how to use  
 WA7KRE p. 8, Jan 70

Snap diode impulse generator  
 Siegal, Turner p. 29, Oct 72

Surplus transistors, identifying  
 W2FPP p. 38, Dec 70

Switching inductive loads with solid-state devices (HN)	
WA6ROC	p. 99, Jun 78
Thyristors, introduction to	
WA7KRE	p. 54, Oct 70
Transconductance tester for field-effect transistors	
W6NBI	p. 44, Sep 71
Transistor amplifiers, tabulated characteristics of	
W5JJ	p. 30, Mar 71
Transistor and diode tester	
ZL2AMJ	p. 65, Nov 70
Transistor breakdown voltages	
WA5EKA	p. 44, Feb 75
Transistors for vhf transmitters (HN)	
W1OOP	p. 74, Sep 69
Transistor testing	
Allen	p. 62, Jul 70
Trapatt diodes (letter)	
WA7NLA	p. 72, Apr 72
Vfo transistors (HN)	
W1OOP	p. 74, Nov 69
Y parameters in rf design, using	
WAØTCU	p. 46, Jul 72
Zener tester, Low voltage (HN)	
K3DPJ	p. 72, Nov 69

## single sideband

Balanced modulator, integrated-circuit	
K7QWR	p. 6, Sep 70
Balanced modulators, dual fet	
W3FQJ	p. 63, Oct 71
Communications receiver, phasing-type	
WAØJYK	p. 6, Aug 73
Detector, ssb, IC (HN)	
K4ODS	p. 67, Dec 72
Correction	p. 72, Apr 73
Double-balanced modulator, broadband	
WA6NCT	p. 8, Mar 70
Electronic bias switching for linear amplifiers	
W6VFR	p. 50, Mar 75
Filters, ssb (HN)	
K6KA	p. 63, Nov 73
Frequency dividers for ssb	
W7BZ	p. 24, Dec 71
Hang agc circuit for ssb and CW	
W1ERJ	p. 50, Sep 72
Intermittent voice operation of power tubes	
W6SAI	p. 24, Jan 71
Intermodulation-distortion measurements on ssb transmitters	
W6VFR	p. 34, Sep 74
Linear amplifier, five-band conduction-cooled	
W9KIT	p. 6, Jul 72
Linear amplifier, five-band kilowatt	
W4OQ	p. 14, Jan 74
Improved operation (letter)	p. 59, Dec 74
Linear amplifier, homebrew five-band	
W7IV	p. 30, Mar 70
Linear amplifier performance, improving	
W4PSJ	p. 68, Oct 71
Linear amplifier, 100-watt	
W6WR	p. 28, Dec 75
Linear, five-band hf	
W7DI	p. 6, Mar 72
Linear for 80-10 meters, high-power	
W6HHN	p. 56, Apr 71
Short circuit	p. 96, Dec 71
Linearity meter for ssb amplifiers	
W4MB	p. 40, Jun 76
Linears, three bands with two (HN)	
W4NJJ	p. 70, Nov 69
Minituner, ssb	
K1BQT	p. 16, Oct 70
Modifying the Heath SB-200 amplifier for the new 8873 zero-bias triode	
W6UOV	p. 32, Jan 71
Peak envelope power, how to measure	
W5JJ	p. 32, Nov 74
Phase-shift networks, design criteria for	
G3NRW	p. 34, Jun 70
Power supplies for ssb	
Belt	p. 38, Feb 69
Precise tuning with ssb gear	
WØKD	p. 40, Oct 70
Pre-emphasis for ssb transmitters	
OH2CD	p. 38, Feb 72
Rating tubes for linear amplifier service	
W6UOV, W6SAI	p. 50, Mar 71
Rf clipper for the Collins S-line	
K6JYO	p. 18, Aug 71
Letter	p. 68, Dec 71
Rf speech processor, ssb	
W2MB	p. 18, Sep 73
Sideband location (HN)	
K6KA	p. 62, Aug 73
Solid-state circuits for ssb	
Belt	p. 18, Jan 69
Solid-state transmitting converter for 144-MHz ssb	
W6NBI	p. 6, Feb 74
Short circuit	p. 62, Dec 74
Speech process, logarithmic	
WA3FIY	p. 38, Jan 70

Speech clipper, IC	
K6HTM	p. 18, Feb 73
Added notes (letter)	p. 64, Oct 73
Speech clipper, rf, construction	
G6XN	p. 12, Dec 72
Speech clippers, rf, performance of	
G6XN	p. 26, Nov 72
Added notes	p. 58, Aug 73; p. 72, Sep 74
Speech clipping	
K6KA	p. 24, Apr 69
Speech clipping in single-sideband equipment	
K1YZW	p. 22, Feb 71
Speech processing, principles of	
ZL1BN	p. 28, Feb 75
Added notes	p. 75, May 75; p. 64, Nov 75
Speech processor for ssb	
K6PHT	p. 22, Apr 70
Speech processor, ssb	
VK9GN	p. 31, Dec 71
Speech splatter on single sideband	
W4MB	p. 28, Sep 75
Ssb generator, phasing-type	
W7CMJ	p. 22, Apr 73
Added comments (letter)	p. 65, Nov 73
Ssb generator, 9-MHz	
W9KIT	p. 6, Dec 70
Ssb phasing techniques, review	
VK2ZTB	p. 52, Jan 78
Ssb phasing techniques, review (letter)	
WB9YEM	p. 82, Aug 78
Phasing networks (letter)	
W2ESH	p. 6, Nov 78
Ssb transceiver, IC, for 80 meters	
VE3GSD	p. 48, Apr 76
Switching and linear amplification	
W3FQJ	p. 61, Oct 71
Syllabic vox system for Drake equipment	
W6RM	p. 24, Aug 76
Transceiver, high-frequency with digital readout	
DJ2LR	p. 12, Mar 78
Transceiver, miniature 7-MHz	
W7BBX	p. 16, Jul 74
Transceiver, single-band ssb	
W1D7Y	p. 8, Jun 69
Transceiver, ssb, IC	
G3ZVC	p. 34, Aug 74
Circuit change (letter)	p. 62, Sep 75
Transceiver, ssb, using LM373 IC	
W5BAA	p. 32, Nov 73
Transceiver, 3.5-MHz ssb	
VE6ABX	p. 6, Mar 73
Transmitter alignment	
Allen	p. 62, Oct 69
Transmitter and receiver for 40 meters, ssb	
VE3GSD	p. 6, Mar 74
Short circuit	p. 62, Dec 74
Transmitter, phasing-type ssb	
WAØJYK	p. 8, Jun 75
Transmitting mixers, 6 and 2 meters	
K2ISP	p. 8, Apr 69
Transverter, low-power, high-frequency	
WØRBR	p. 12, Dec 78
Trapezoidal monitor scope	
VE3CUS	p. 22, Dec 69
TTL ICs, using in ssb equipment	
G4ADJ	p. 18, Nov 75
Tuning up ssb transmitters	
Allen	p. 62, Nov 69
Two-tone oscillator for ssb testing	
W6GXN	p. 11, Apr 72
Vacuum tubes, using odd-ball types in linear amplifier service	
W5JJ	p. 58, Sep 72
Vhf, uhf transverter, input source for (HN)	
F8MK	p. 69, Sep 70
Vox, versatile	
W9KIT	p. 50, Jul 71
Short circuit	p. 96, Dec 71
144-MHz linear, 2kW	
W6UOV, W6ZO, K6DC	p. 26, Apr 70
144-MHz low-drive kilowatt linear	
W6HHN	p. 26, Jul 70
144-MHz transverter, the TR-144	
K1RAK	p. 24, Feb 72
432 MHz rf power amplifier	
K6JC	p. 40, Apr 70
432-MHz ssb converter	
K6JC	p. 48, Jan 70
Short circuit	p. 79, Jun 70
432-MHz ssb, practical approach to	
WA2FSQ	p. 6, Jun 71
1296-MHz ssb transceiver	
WA6UAM	p. 8, Sep 74

## television

Broadcast quality television camera	
W8RMC	p. 10, Jan 78
Callsign generator	
WB2CPA	p. 34, Feb 77
Camera and monitor, sstv	
VE3EGO, Watson	p. 38, Apr 69
Caption device for SSTV	
G3LTZ	p. 61, Jul 77
Color tv, slow-scan	
W4UMF, WB8DQT	p. 59, Dec 69

Computer, processing, sstv pictures	
W4UMF	p. 30, Jul 70
Fast-scan camera converter for sstv	
WA9UHV	p. 22, Jul 74
Fast-to-slow-scan conversion, tv	
W3EFG, W3YZC	p. 32, Jul 71
Frequency-selective and sensitivity-controlled sstv preamp	
DK1BF	p. 36, Nov 75
Interlaced sync generator for ATV camera control	
W8RMC	p. 10, Sep 77
Slow-scan television	
WA2EMC	p. 52, Dec 69
Slow-to-fast-scan television converters, an introduction	
K4TWJ	p. 44, Aug 76
Sync generator for black-and-white 525-line TV	
K4EEU	p. 79, Jul 77
Sync generator, IC, for ATV	
WØKGI	p. 34, Jul 75
Synch generator, sstv (letter)	
W1IA	p. 73, Apr 73
Television DX	
WA9RAQ	p. 30, Aug 73
Test generator, sstv	
K4EEU	p. 6, Jul 73
Vestigial sideband microtransmitter for amateur television	
WA6UAM	p. 20, Feb 76
Short circuit	p. 94, May 77
50 years of television	
W1D7Y, K4TWJ	p. 36, Feb 76
Letter, WA6JFP	p. 77, Sep 76

## transmitters and power amplifiers general

Amplitude modulation, a different approach	
WA5SNZ	p. 50, Feb 70
Batteries, how to select for portable equipment	
WAØAIK	p. 40, Aug 73
Blower maintenance (HN)	
W6NIF	p. 71, Feb 71
Blower-to-chassis adapter (HN)	
K6JYO	p. 73, Feb 71
Digital readout, universal	
WB8IFM	p. 34, Dec 78
Digital vfo basics	
Earnshaw	p. 18, Nov 78
Efficiency of linear power amplifiers, how to compare	
W5JJ	p. 64, Jul 73
Electronic bias switching for linear amplifiers	
W6VFR	p. 50, Mar 75
Fail-safe timer, transmitter (HN)	
K9HVW	p. 72, Oct 74
Filter converter, an up/down	
W5DA	p. 20, Dec 77
Filters, ssb (HN)	
K6KA	p. 63, Nov 73
Frequency multipliers	
W6GXN	p. 6, Aug 71
High-voltage fuses in linear amplifiers (HN)	
K9MM	p. 76, Feb 78
Intermittent voice operation of power tubes	
W6SAI	p. 24, Jan 71
Key and vox clicks (HN)	
K6KA	p. 74, Aug 72
Lowpass filters for solid-state linear amplifiers	
WAØJYK	p. 38, Mar 74
Short circuit	p. 62, Dec 74
Matching techniques, broadband, for transistor rf amplifiers	
WA7WHZ	p. 30, Jan 77
Multiple tubes in parallel grounding grid (HN)	
W7CSD	p. 60, Aug 71
National NCX-500 modification for 15 meters (HN)	
WA1KYD	p. 87, Oct 77
Networks, transmitter matching	
W6FFC	p. 6, Jan 73
Neutralizing tip (HN)	
ZE6JP	p. 69, Dec 72
Parasitic oscillations in high-power transistor rf amplifiers	
WØKGI	p. 54, Sep 70
Parasitic suppressor (HN)	
WA9JMY	p. 80, Apr 70
Pi network design	
Anderson, Leonard H.	p. 36, Mar 78
Pi network design aid	
W6NIF	p. 62, May 74
Correction (letter)	p. 58, Dec 74
Pi-network design, high-frequency power amplifier	
W6FFC	p. 6, Sep 72
Pi networks (letter)	
W6NIF	p. 6, Oct 78
Pi-network inductors (letter)	
W7IV	p. 78, Dec 72

Pi-network rf choke (HN) W6KNE	p. 98, Jun 78
Pi networks, series tuned W2EGH	p. 42, Oct 71
Power attenuator, all-band 10-dB K1CCL	p. 68, Apr 70
Power fets W3FQJ	p. 34, Apr 71
Power tube open filament pins (HN) W9KNI	p. 69, Apr 75
Pre-emphasis for ssb transmitters OH2CD	p. 38, Feb 72
Relay activator (HN) K6KA	p. 62, Sep 71
Rf leakage from your transmitter, preventing K9MM	p. 44, Jun 78
Rf power amplifiers, high-efficiency WB8LQK	p. 8, Oct 74
Rf power transistors, how to use WA7KRE	p. 8, Jan 70
Sstv reporting system WB6ZYE	p. 78, Sep 76
Step-start circuit, high-voltage (HN) W6VFR	p. 64, Sep 71
Swr alarm circuits W2EEY	p. 73, Apr 70
Temperature alarms for high-power amplifiers W2EEY	p. 48, Jul 70
Transmitter power levels, some observations regarding WA5SNZ	p. 62, Apr 71
Transmitter, remote keying (HN) WA3HOU	p. 74, Oct 69
Transmitter-tuning unit for the blind W9NTP	p. 60, Jun 71
Vacuum tubes, using odd-ball types in linear amplifiers W5JJ	p. 58, Sep 72
Vfo, digital readout WB8IFM	p. 14, Jan 73

## high-frequency transmitters

ART-13, Modifying for noiseless CW (HN) K5GKN	p. 68, Aug 69
CW transceiver for 40 and 80 meters W3NNL, K3OIO	p. 14, Jul 69
CW transceiver for 40 and 80 meters, improved W3NNL	p. 18, Jul 77
CW transceiver, low-power 20-meter W7ZOI	p. 8, Nov 74
CW transmitter, half-watt KØVQY	p. 69, Nov 69
Driver and final for 40 and 80 meters, solid-state W3QBO	p. 20, Feb 72
Electronic bias switch for negatively-biased power amplifiers WA5KPG	p. 27, Nov 76
Field-effect transistor transmitters K2BLA	p. 30, Feb 71
Filters, low-pass for 10 and 15 meters W2EEY	p. 42, Jan 72
Five-band transmitter, hf, solid-state I5TDJ	p. 24, Apr 77
Frequency synthesizer, high frequency K2BLA	p. 16, Oct 72
Grounded-grid 2 kW PEP amplifier, high frequency W6SAI	p. 6, Feb 69
Heath HW-101 transceiver, using with a separate receiver (HN) WA1MKP	p. 63, Oct 73
Linear amplifier, five-band W7IV	p. 30, Mar 70
Linear amplifier, five-band conduction-cooled W9KIT	p. 6, Jul 72
Linear amplifier performance, improving W4PSJ	p. 68, Oct 71
Linear amplifier, 100-watt W6WR	p. 28, Dec 75
Linear amplifiers, modifying for full break-in operation K4XU	p. 38, Apr 78
Linear, five-band hf W7DI	p. 6, Mar 72
Linear, five-band kilowatt W4OQ	p. 14, Jan 74
Improved operation (letter) W6HHN	p. 59, Dec 74
Linear for 80-10 meters, high-power W6HHN	p. 56, Apr 71
Short circuit W6HHN	p. 96, Dec 71
Linear power amplifier, high-power solid-state Chambers	p. 6, Aug 74
Linears, three bands with two (HN) W4NJF	p. 70, Nov 69
Lowpass filter, high-frequency W2OLU	p. 24, Mar 75
Short circuit W6HHN	p. 59, Jun 75
Modifying the Heath SB-200 amplifier for the new 8873 zero-bias triode W6UOV	p. 32, Jan 71
Mosfet power amplifier, for 160 - 6 meters WA1WLW	p. 12, Nov 78

Phase-locked loop, 28 MHz W1KNI	p. 40, Jan 73
QRP fet transmitter, 80-meter W3FQJ	p. 50, Aug 75
Ssb transceiver, miniature 7-MHz W7BBX	p. 16, Jul 74
Ssb transceiver using LM373 IC W5BAA	p. 32, Nov 73
Ssb transceiver, 9-MHz, IC G3ZVC	p. 34, Aug 74
Circuit change (letter) W6HHN	p. 62, Sep 75
Ssb transmitter and receiver, 40 meters VE3GSD	p. 6, Mar 74
Short circuit W6HHN	p. 62, Dec 74
Ssb transmitter, phasing type WAØJYK	p. 8, Jun 75
Tank circuit, inductively-tuned high-frequency W6SAI	p. 6, Jul 70
Transceiver, high-frequency with digital readout DJ2LR	p. 12, Mar 78
Transceiver, single-band ssb W1DTY	p. 8, Jun 69
Transceiver, 3.5-MHz ssb VE6ABX	p. 6, Mar 73
Transmitter, five-band, CW and ssb WN3WTG	p. 34, Jan 77
Transmitter, low-power W6NIF	p. 26, Dec 70
Transmitter, universal flea-power K2ZSQ	p. 58, Apr 69
Transverter, low-power, high-frequency WAØRBR	p. 12, Dec 78
Wideband linear amplifier, 4 watt VE5FP	p. 42, Jan 76
3-400Z, 3-500Z filament circuits, notes on K9WEH	p. 66, Apr 76
7-MHz QRP CW transmitter WA4MTH	p. 26, Dec 76
14-MHz vfo transmitter, solid-state W3QBO	p. 6, Nov 73
160-meters, 500-watt power amplifier W2BP	p. 8, Aug 75

## vhf and uhf transmitters

Fm repeater transmitter, improving W6GDO	p. 24, Oct 69
Linear for 2 meters W4KAE	p. 47, Jan 69
Phase-locked loop, 50 MHz W1KNI	p. 40, Jan 73
Transistors for vhf transmitters (HN) W1OOP	p. 74, Sep 69
Transmitter, flea power K2ZSQ	p. 58, Apr 69
Transmitting mixers for 6 and 2 meters K2ISP	p. 8, Apr 69
Transverter for 6 meters WA9IGU	p. 44, Jul 69
Vhf linear, 2kW, design data for W6UOV	p. 6, Mar 69
10-GHz transceiver for amateur microwave communications DJ7OO	p. 10, Aug 78
30-MHz preamplifier, low-noise W1HR	p. 38, Oct 78
50-MHz kilowatt, inductively tuned K1DPP	p. 8, Sep 75
50-MHz linear amplifier K1RAK	p. 38, Nov 71
50-MHz linear amplifier, 2-kW W6UOV	p. 16, Feb 71
50-MHz linear, inductively tuned W6SAI	p. 6, Jul 70
50-MHz transverter K1RAK	p. 12, Mar 71
50/144-MHz multimode transmitter K2ISP	p. 28, Sep 70
144-MHz fm transmitter W9SEK	p. 6, Apr 72
144-MHz fm transmitter, solid-state W6AJF	p. 14, Jul 71
144-MHz fm transmitter, Sonobaby WAØUZO	p. 8, Oct 71
Short circuit W6HHN	p. 96, Dec 71
Crystal deck for W6HHN	p. 26, Oct 72
144-MHz low-drive kilowatt linear W6HHN	p. 26, Jul 70
144-MHz low-power solid-state transmitter KØVQY	p. 52, Mar 70
144-MHz phase-modulated transmitter W6AJF	p. 18, Feb 70
144-MHz power amplifier, high performance W6UOV	p. 22, Aug 71
144-MHz power amplifier, 10-watt solid-state W1DTY	p. 67, Jan 74
144-MHz rf power amplifiers, solid state W4CGC	p. 6, Apr 73
144-MHz transmitting converter, solid-state ssb W6NBI	p. 6, Feb 74
Short circuit W6HHN	p. 62, Dec 74
144-MHz transceiver, a-m K1AOB	p. 55, Dec 71
144-MHz two-kilowatt linear W6UOV, W6ZO, K6DC	p. 26, Apr 70

144- and 432- stripline amplifier/tripler K2RIW	p. 6, Feb 70
220-MHz exciter WB6DJV	p. 50, Nov 71
220-MHz power amplifier W6UOV	p. 44, Dec 71
220-MHz, rf power amplifier for WB6DJV	p. 44, Jan 71
220-MHz rf power amplifier, vhf fm K7JUE	p. 6, Sep 73
432-MHz exciter, solid-state W1OOP	p. 38, Oct 69
432-MHz rf power amplifier K6JC	p. 40, Apr 70
432-MHz solid-state linear amplifier WB6QXF	p. 30, Aug 75
432-MHz ssb converter K6JC	p. 48, Jan 70
Short circuit W6HHN	p. 79, Jun 70
432-MHz 100-watt solid-state power amplifier WA7CNP	p. 36, Sep 75
1296-MHz frequency tripler K4SUM, W4API	p. 40, Sep 69
1296-MHz power amplifier W2COH, W2CCY, W2OJ, W1MU	p. 43, Mar 70
2304-MHz power amplifier WA9HUV	p. 8, Feb 75

## transmitters and power amplifiers, test and troubleshooting

Ssb transmitter alignment Allen	p. 62, Oct 69
Tuning up ssb transmitters Allen	p. 62, Nov 69

## troubleshooting

Analyzing wrong dc voltages Allen	p. 54, Feb 69
Audio distortion, curing in speech amplifiers Allen	p. 42, Aug 70
Basic troubleshooting James	p. 54, Jan 76
Dc-dc converters, curing trouble in Allen	p. 56, Jun 70
Logic circuits, troubleshooting W8GRG	p. 56, Feb 77
Mobile power supplies, troubleshooting Allen	p. 56, Jun 70
Ohmmeter troubleshooting Allen	p. 52, Jan 69
Oscillators, repairing Allen	p. 69, Mar 70
Oscillator troubleshooting (repair bench) K4IPV	p. 54, Mar 77
Oscilloscope, putting to work Allen	p. 64, Sep 69
Oscilloscope, troubleshooting amateur gear with Allen	p. 52, Aug 69
Power supply, troubleshooting K4IPV	p. 78, Sep 77
Receiver alignment techniques, vhf fm K4IPV	p. 14, Aug 75
Receivers, troubleshooting the dead K4IPV	p. 56, Jun 76
Resistance measurement, troubleshooting by James	p. 58, Apr 76
Rf and i-f amplifiers, troubleshooting Allen	p. 60, Sep 70
Speech amplifiers, curing distortion Allen	p. 42, Aug 70
Ssb transmitter alignment Allen	p. 62, Oct 69
Sweep generator, how to use Allen	p. 60, Apr 70
Transistor circuits, troubleshooting K4IPV	p. 60, Sep 76
Transistor testing Allen	p. 62, Jul 70
Tuning up ssb transmitters Allen	p. 62, Nov 69
Voltage troubleshooting James	p. 64, Feb 76

## vhf and microwave general

Artificial radio aurora, vhf scattering characteristics WB6KAP	p. 18, Nov 74
A-m modulation monitor (HN) K7UNL	p. 67, Jul 71
Band change from six to two meters, quick KØVQY	p. 64, Feb 70
Bandpass filters, single-pole W6HPH	p. 51, Sep 69

<b>Bandpass filters, 25 to 2500 MHz</b>					
K6RIL	p. 46,	Sep	69		
<b>Bypassing, rf, at vhf</b>					
WB6BHI	p. 50,	Jan	72		
<b>Cavity filter, 144-MHz</b>					
W1SNN	p. 22,	Dec	73		
Short circuit	p. 64,	Mar	74		
<b>Coaxial filter, vhf</b>					
W6SAI	p. 36,	Aug	71		
<b>Coaxial-line resonators (HN)</b>					
WA7KRE	p. 82,	Apr	70		
<b>Coil-winding data, practical vhf and uhf</b>					
K3SVC	p. 6,	Apr	71		
<b>Effective radiated power (HN)</b>					
VE7CB	p. 72,	May	73		
<b>Frequency multipliers</b>					
W6GXN	p. 6,	Aug	71		
<b>Frequency multipliers, transistor</b>					
W6AJF	p. 49,	Jun	70		
<b>Frequency scaler, 500-MHz</b>					
W6URH	p. 32,	Jun	75		
<b>Frequency scalars, 1200-MHz</b>					
WB9KEY	p. 38,	Feb	75		
<b>Frequency synchronization for scatter-mode propagation</b>					
K2QVS	p. 26,	Sep	71		
<b>Frequency synthesizer, 220 MHz</b>					
W6GXN	p. 8,	Dec	74		
<b>GaAs field-effect transistors, introduction</b>					
WA2ZZF	p. 74,	Jan	78		
<b>Gridded tubes, vhf/uhf effects in</b>					
W6UOV	p. 8,	Jan	69		
<b>Harmonic generator (HN)</b>					
W5GDQ	p. 76,	Oct	70		
<b>Impedance bridge (HN)</b>					
W6KZK	p. 67,	Feb	70		
<b>Improving vhf/uhf receivers</b>					
W1JAA	p. 44,	Mar	76		
<b>Indicator, sensitive rf</b>					
WB9DNI	p. 38,	Apr	73		
<b>Klystron cooler, waveguide (HN)</b>					
WA4WDL	p. 74,	Oct	74		
<b>Lunar-path nomograph</b>					
WA6NCT	p. 28,	Oct	70		
<b>Microstrip impedance, simple formula for</b>					
W1HR	p. 72,	Dec	77		
<b>Microstrip transmission line</b>					
W1HR	p. 28,	Jan	78		
<b>Microwave bibliography</b>					
W6HDO	p. 68,	Jan	78		
<b>Microwave communications, amateur standards for</b>					
K6HIJ	p. 54,	Sep	69		
<b>Microwave frequency doubler</b>					
WA4WDL	p. 69,	Mar	76		
<b>Microwave hybrids and couplers for amateur use</b>					
W2CTK	p. 57,	Jul	70		
Short circuit	p. 72,	Dec	70		
<b>Microwave marker generator, 3cm band (HN)</b>					
WA4WDL	p. 69,	Jun	76		
<b>Microwave path evaluation</b>					
N7DH	p. 40,	Jan	78		
<b>Microwave rf generators, solid-state</b>					
W1HR	p. 10,	Apr	77		
<b>Microwaves, getting started in</b>					
Roubal	p. 53,	Jun	72		
<b>Microwaves, introduction to</b>					
W1CBB	p. 20,	Jan	72		
<b>Microwave solid-state amplifier design</b>					
WA6UAM	p. 40,	Oct	76		
Comment, VK3TK, WA6UAM	p. 98,	Sep	77		
<b>Noise figure, meaning of</b>					
K6MIO	p. 26,	Mar	69		
<b>Noise figure measurements, vhf</b>					
WB6NMT	p. 36,	Jun	72		
<b>Phase-locked loop, tunable 50 MHz</b>					
W1KNI	p. 40,	Jan	73		
<b>Polaplexer design</b>					
K6MBL	p. 40,	Mar	77		
<b>Power dividers and hybrids</b>					
W1DAX	p. 30,	Aug	72		
<b>Proportional temperature control for crystal ovens</b>					
VE5FP	p. 44,	Jan	70		
<b>Radio observatory, vhf</b>					
Ham	p. 44,	Jul	74		
<b>Reflex klystrons, pogo stick for (HN)</b>					
W6BPK	p. 71,	Jul	73		
<b>Rf power-detecting devices</b>					
K6JYO	p. 28,	Jun	70		
<b>Satellite communications</b>					
K1TMA	p. 52,	Nov	72		
Added notes (letter)	p. 73,	Apr	73		
<b>Satellite signal polarization</b>					
KH6IJ	p. 6,	Dec	72		
<b>Solar cycle 20, vhf'er's view of</b>					
WA5IYX	p. 46,	Dec	74		
<b>Spectrum analyzer, microwave</b>					
WA6UAM	p. 54,	Aug	77		
<b>Spectrum analyzer microwave</b>					
N6TX	p. 34,	Jul	78		
<b>Tank circuits, design of vhf</b>					
K7UNL	p. 56,	Nov	70		
<b>Uhf dummy load, 150-watt</b>					
WB6QXF	p. 30,	Sep	76		
<b>Uhf hardware (HN)</b>					
W6CMQ	p. 76,	Oct	70		
<b>Vfo, high-stability vhf</b>					
OH2CD	p. 27,	Jan	72		
<b>Vhf beacons</b>					
K6EDX	p. 52,	Oct	69		
<b>Vhf beacons</b>					
W3FQJ	p. 66,	Dec	71		
<b>Vhf circuits, eliminating parallel currents (HN)</b>					
G3IPV	p. 91,	May	77		
<b>Weak-signal communications</b>					
W4LTU	p. 26,	Mar	78		
<b>50-MHz bandpass filter</b>					
W4EKO	p. 70,	Aug	76		
<b>50-MHz frequency synthesizer</b>					
W1KNI	p. 26,	Mar	74		
<b>144-MHz fm frequency meter</b>					
W4JAZ	p. 40,	Jan	71		
Short circuit	p. 72,	Apr	71		
<b>144-MHz frequency synthesizer</b>					
WB4FPK	p. 34,	Jul	73		
<b>144-MHz frequency-synthesizer, one-crystal</b>					
WØKMV	p. 30,	Sep	73		
<b>220-MHz frequency synthesizer</b>					
W6GXN	p. 8,	Dec	74		
<b>432-MHz ssb, practical approach to</b>					
WA2FSQ	p. 6,	Jun	71		
<b>1296-MHz double-stub tuner</b>					
K6LK	p. 70,	Dec	78		
<b>1296-MHz microstripline bandpass filters</b>					
WA6UAM	p. 46,	Dec	75		
<b>1296-MHz microstrip filter, improved grounding for</b>					
N6TX	p. 60,	Aug	78		
<b>2304-MHz stripline bandpass filter</b>					
WA4WDL, WB4LJM	p. 50,	Apr	77		
<b>vhf and microwave antennas</b>					
<b>Circularly-polarized ground-plane antenna for satellite communications</b>					
K4GSX	p. 28,	Dec	74		
<b>Feed horn, cylindrical, for parabolic reflectors</b>					
WA9HUV	p. 16,	May	76		
<b>Feeding and matching techniques for vhf/uhf antennas</b>					
W1JAA	p. 54,	May	76		
<b>Ground plane, portable vhf (HN)</b>					
K9DHD	p. 71,	May	73		
<b>Log-periodic yagi beam antenna</b>					
K6RIL, W6SAI	p. 8,	Jul	69		
Correction	p. 68,	Feb	70		
<b>Matching techniques for vhf/uhf antennas</b>					
W1JAA	p. 50,	Jul	76		
<b>Microstrip swr bridge, vhf and uhf</b>					
W4CGC	p. 22,	Dec	72		
<b>Microwave antenna, low-cost</b>					
K6HIJ	p. 52,	Nov	69		
<b>Oscar az-el antenna system</b>					
WA1NXP	p. 70,	May	78		
<b>Parabolic reflector antennas</b>					
VK3ATN	p. 12,	May	74		
<b>Parabolic reflector element spacing</b>					
WA9HUV	p. 28,	May	75		
<b>Parabolic reflector gain</b>					
W2TQK	p. 50,	Jul	75		
<b>Parabolic reflector, 16-foot homebrew</b>					
WB6IOM	p. 8,	Aug	69		
<b>Parabolic reflectors, finding focal length of (HN)</b>					
WA4WDL	p. 57,	Mar	74		
<b>Swr meter</b>					
W6VSV	p. 6,	Oct	70		
<b>Transmission lines, uhf</b>					
WA2VTR	p. 36,	May	71		
<b>10 GHz, broadband antenna</b>					
WA4WDL, WB4LJM	p. 40,	May	77		
<b>10 GHz dielectric antenna (HN)</b>					
WA4WDL	p. 80,	May	75		
<b>50-MHz antenna coupler</b>					
K1RAK	p. 44,	Jul	71		
<b>50-MHz collinear beam</b>					
K4ERO	p. 59,	Nov	69		
<b>50-MHz cubical quad, economy</b>					
W6DOR	p. 50,	Apr	69		
<b>50-MHz mobile antenna (HN)</b>					
W4PSJ	p. 77,	Oct	70		
<b>144-MHz antenna, 3/4 wave vertical</b>					
K6KLO	p. 40,	Jul	74		
<b>144-MHz antenna, 3/4-wave vertical, build from CB mobile whips</b>					
WB4WSU	p. 67,	Jun	74		
<b>144-MHz antennas, simple</b>					
WA3NFW	p. 30,	May	73		
<b>144-MHz antenna switch, solid-state</b>					
K2ZSQ	p. 48,	May	69		
<b>144-MHz collinear antenna</b>					
W6RJO	p. 12,	May	72		
<b>144-MHz collinear uses PVC pipe mast (HN)</b>					
K8LLZ	p. 66,	May	76		
<b>144-MHz four-element collinear array</b>					
WB6KGF	p. 6,	May	71		
<b>144-MHz ground plane antenna, 0.7 wavelength</b>					
W3WZA	p. 40,	Mar	69		
<b>144-MHz moonbounce antenna</b>					
K6HCP	p. 52,	May	70		
<b>144-MHz whip, 5/8-wave (HN)</b>					
VE3DDD	p. 70,	Apr	73		
<b>432-MHz corner reflector antenna</b>					
WA2FSQ	p. 24,	Nov	71		
<b>432-MHz high-gain Yagi</b>					
K6HCP	p. 46,	Jan	76		
Comments, WØPW	p. 63,	May	76		
<b>432-MHz OSCAR antenna (HN)</b>					
W1JAA	p. 58,	Jul	75		
<b>432- and 1296-MHz quad-yagi arrays</b>					
W3AED	p. 20,	May	73		
Short circuit	p. 58,	Dec	73		
<b>440-MHz collinear antenna, four-element</b>					
WA6HTP	p. 38,	May	73		
<b>1296-MHz antenna, high-gain</b>					
W3AED	p. 74,	May	78		
<b>1296-MHz Yagi</b>					
W2CQH	p. 24,	May	72		
<b>1296-MHz Yagi array</b>					
W3AED	p. 40,	May	75		
<b>vhf and microwave receivers and converters</b>					
<b>Audio filter, tunable, for weak-signal communications</b>					
K6HCP	p. 28,	Nov	75		
<b>Calculating preamplifier gain from noise-figure measurements</b>					
N6TX	p. 30,	Nov	77		
<b>Cooled preamplifier for vhf-uhf reception</b>					
WAØRDX	p. 36,	Jul	72		
<b>Double-balanced mixers, circuit packaging for</b>					
WA6UAM	p. 41,	Sep	77		
<b>Interdigital preamplifier and comb-line bandpass filter for vhf and uhf</b>					
W6KHT	p. 6,	Aug	70		
<b>Microwave amplifier design, solid state</b>					
WA6UAM	p. 40,	Oct	76		
<b>Microwave mixer, new</b>					
WAØRDX	p. 84,	Oct	78		
<b>Noise figure, sensitivity and dynamic range</b>					
W1DTY	p. 8,	Oct	75		
<b>Noise figure, vhf, estimating</b>					
WA9HUV	p. 42,	Jun	75		
<b>Overload problems with vhf converters, solving</b>					
W1OOP	p. 53,	Jan	73		
<b>Receiver scanner, vhf</b>					
K2LZG					

144-MHz preamplifier, low noise W8BBB	p. 36, Jun 74
144-MHz preamp, low-noise W1DTY	p. 40, Apr 76
144-MHz preamp, super (HN) K6HCP	p. 72, Oct 69
144-MHz transverter using power fets WB6BPI	p. 10, Sep 76
220-MHz mosfet converter WB2EGZ	p. 28, Jan 69
Short circuit	p. 76, Jul 69
432-MHz converter, low-noise K6JC	p. 34, Oct 70
432-MHz fet preamp (HN) W1DTY	p. 66, Aug 69
432-MHz GaAs preamp JH1BRY	p. 22, Apr 78
432-MHz preamplifier, low-noise WB5LUA	p. 26, Oct 78
432 MHz preamplifier and converter WA2GCF	p. 40, Jul 75
432-MHz preamplifier, ultra low-noise W1JAA	p. 8, Mar 75
1296-MHz converter, solid state VK4ZT	p. 6, Nov 70
1296 MHz, double-balanced mixers for WA6UAM	p. 8, Jul 75
1296-MHz local-oscillator chain WA2ZZF	p. 42, Oct 78
1296-MHz noise generator W3BSV	p. 46, Aug 73
1296-MHz preamplifier WA6UAM	p. 42, Oct 75
1296-MHz preamplifier, low-noise transistor WA2VTR	p. 50, Jun 71
Added note (letter)	p. 65, Jan 72
1296-MHz preamplifiers, microstripline WA6UAM	p. 12, Apr 75
Comments, W2DU	p. 68, Jan 76
1296-MHz ssb transceiver WA6UAM	p. 8, Sep 74
1296-MHz rat-race balanced mixer WA6UAM	p. 33, Jul 77
2304-MHz balanced mixer WA2ZZF	p. 58, Oct 75
2304-MHz converter, solid-state K2JNG, WA2LTM, WA2VTR	p. 16, Mar 72
2304-MHz preamplifier, solid-state WA2VTR	p. 20, Aug 72
2304-MHz preamplifiers, narrow-band solid-state WA9HUV	p. 6, Jul 74

## vhf and microwave transmitters

External anode tetrodes W6SAI	p. 23, Jun 69
Inductively-tuned tank circuit W6SAI	p. 6, Jul 70
Lighthouse tubes for uhf W6UOV	p. 27, Jun 69
Pi networks, series-tuned W2EGH	p. 42, Oct 71
Ssb input source for vhf, uhf transverters (HN) F8MK	p. 69, Sep 70
Transistors for vhf transmitters (HN) W1OOP	p. 74, Sep 69
Vhf linear, 2 kW, design data for W6UOV	p. 7, Mar 69
Water-cooled 2C39 (HN) WA9RPB	p. 94, Sep 77
2C39, water cooling K6MYC	p. 30, Jun 69
50-MHz customized transverter K1RAK	p. 12, Mar 71
50-MHz heterodyne transmitting mixer K2ISP	p. 8, Apr 69
Correction	p. 76, Sep 70
50-MHz kilowatt, inductively-tuned K1DPP	p. 8, Sep 75
50-MHz 2 kW linear amplifier W6UOV	p. 16, Feb 71
50-MHz linear amplifier K1RAK	p. 38, Nov 71
50-MHz multimode transmitter K2ISP	p. 28, Sep 70
50-MHz transverter WA9IGU	p. 44, Jul 69
144-MHz fm transceiver, compact W6AOI	p. 36, Jan 74
144-MHz fm transmitter W6AJF	p. 14, Jul 71
144-MHz fm transmitter W9SEK	p. 6, Apr 72
144-MHz fm transmitter, Sonobaby WA0UZO	p. 8, Oct 71
Crystal deck for Sonobaby	p. 26, Oct 72
144-MHz heterodyne transmitting mixers K2ISP	p. 8, Apr 69
Correction	p. 76, Sep 70
144-MHz linear W4KAE	p. 47, Jan 69
144-MHz linear, 2kW, design data for W6UOV	p. 7, Mar 69
144-MHz low-drive kilowatt linear W6HHN	p. 26, Jul 70
144-MHz multimode transmitter K2ISP	p. 28, Sep 70
144-MHz phase-modulated transmitter W6AJF	p. 18, Feb 70
144-MHz power amplifier, high performance W6UOV	p. 22, Aug 71

144-MHz power amplifiers, fm W4CGC	p. 6, Apr 73
144-MHz power amplifier, 10-watt solid-state (HN) W1DTY	p. 67, Jan 74
144-MHz power amplifier, 80-watt, solid-state Hatchett	p. 6, Dec 73
144-MHz stripline kilowatt W2GN	p. 10, Oct 77
144-MHz transceiver, a-m K1AOB	p. 55, Dec 71
144-MHz transmitting converter, solid-state ssb W6NBI	p. 6, Feb 74
Short circuit	p. 62, Dec 74
144-MHz transverter K1RAK	p. 24, Feb 72
144-MHz two-kilowatt linear W6UOV, W6ZO, K6DC	p. 26, Apr 70
144- and 432-MHz stripline amplifier/tripler K2RIW	p. 6, Feb 70
220-MHz exciter WB6DJV	p. 50, Nov 71
220-MHz power amplifier W6UOV	p. 44, Dec 71
220-MHz rf power amplifier WB6DJV	p. 44, Jan 71
220-MHz rf power amplifier, fm K7JUE	p. 6, Sep 73
432-MHz exciter, solid-state W1OOP	p. 38, Oct 69
432-MHz power amplifier using stripline techniques W3HMU	p. 10, Jun 77
432-MHz rf power amplifier K6JC	p. 40, Apr 70
432-MHz solid-state linear amplifier WB6QXF	p. 30, Aug 75
432-MHz ssb converter K6JC	p. 48, Jan 70
Short circuit	p. 79, Jun 70
432-MHz ssb, practical approach WA2FSQ	p. 6, Jun 71
432-MHz stripline tripler K2RIW	p. 6, Feb 70
432-MHz 100-watt solid-state power amplifier WA7CNP	p. 36, Sep 75
1152- to 2304-MHz power doubler WA9HUV	p. 40, Dec 75
1270-MHz video-modulated power amplifier W9ZIH	p. 67, Jun 77
1296-MHz frequency tripler K4SUM, W4API	p. 40, Sep 69
1296-MHz power amplifier W2COH, W2CCY, W2OJ, W1IMU	p. 43, Mar 70
1296-MHz ssb transceiver WA6UAM	p. 8, Sep 74
1296-MHz transverter K6ZMW	p. 10, Jul 77
2304-MHz power amplifier WA9HUV	p. 8, Feb 75

# HRPG Integrated Code Training System

**Just out! A new generation of Amateur code tapes.** Many code practice tape manufacturers have specific styles and approaches, but none can compare to HRPG's new Integrated Code Training System which provides a varied, yet unified method for extremely effective learning. Select the speed(s) best for you, and choose any one, or combination, of four different training techniques to help increase your code proficiency.

## STRAIGHT CODE SERIES

Here are three different straight code tapes consisting of randomly generated six character groups sent at different speeds. These tapes are excellent for building both the speed and copying accuracy needed for contesting, DXing and traffic handling.

- |   |  |
|---|--|
| <input type="checkbox"/> <b>HR-STC1 — \$4.95</b><br>7.5 wpm code for 25 minutes<br>10 wpm code for 25 minutes<br>15 wpm code for 25 minutes | <input type="checkbox"/> <b>HR-STC3 — \$4.95</b><br>25 wpm for 20 minutes<br>30 wpm for 20 minutes<br>35 wpm for 20 minutes<br>40 wpm for 20 minutes |
| <input type="checkbox"/> <b>HR-STC2 — \$4.95</b><br>15 wpm code for 50 minutes<br>22.5 wpm code for 35 minutes                              |  |

## PLAIN LANGUAGE TEXT SERIES

Now, there's an opportunity to practice copying code in plain language text, any time of the day. The PLT series is excellent for those who are learning code by the word method. These tapes can also be used to improve sending speed and accuracy by using the provided text and a code practice oscillator to send in time with the tape.

- |  |  |
|--|--|
| <input type="checkbox"/> <b>HR-PLT1 — \$4.95</b><br>15 wpm code for 20 minutes<br>18 wpm code for 20 minutes<br>22 wpm code for 20 minutes<br>25 wpm code for 20 minutes | <input type="checkbox"/> <b>HR-PLT2 — \$4.95</b><br>30 wpm code for 20 minutes<br>35 wpm code for 15 minutes<br>40 wpm code for 15 minutes<br>45 wpm code for 15 minutes<br>50 wpm code for 15 minutes |
|--|--|

## HI/LO SERIES

In this unique series, characters are sent at high speeds with long pauses between each character. For example, HLC4 (15/2.5 wpm) consists of characters sent at a 15 wpm rate, but with 2.5 wpm spacing between each character. These tapes are excellent for the beginner who wants to practice copying higher speed code without the frustration of constantly getting behind.

- |  |   |
|--|---|
| <input type="checkbox"/> <b>HR-HLC1 — \$4.95</b><br>22.5/2.5 wpm code for 80 minutes   | <input type="checkbox"/> <b>HR-HLC3 — \$4.95</b><br>15/5 wpm code for 28 minutes<br>15/7.5 wpm code for 28 minutes<br>15/10 wpm code for 28 minutes |
| <input type="checkbox"/> <b>HR-HLC2 — \$4.95</b><br>22.5/5 wpm code for 20 minutes<br>22.5/7.5 wpm code for 20 minutes<br>22.5/10 wpm code for 20 minutes<br>22.5/13 wpm code for 20 minutes | <input type="checkbox"/> <b>HR-HLC4 — \$4.95</b><br>15/2.5 wpm code for 80 minutes  |

## QSO SERIES

Here's the way to go for those planning to upgrade their present license to General or Extra Class. Both QSO tapes are reproductions of actual on-the-air CW contacts, similar in content to the FCC code exams. Both tapes are recorded at speeds faster than those encountered in the exams. Get the best practice for that all-important code test by mastering these tapes.

- |   |   |
|---|---|
| <input type="checkbox"/> <b>HR-QSO-1 — \$4.95</b> — A 90 minute tape of 25 QSOs sent at 15 wpm. | <input type="checkbox"/> <b>HR-QSO-2 — \$4.95</b> — A 90 minute tape of 30 QSOs sent at 22.5 wpm. |
|---|---|

**Please include order codes and send check, money order or credit card information, plus \$1.00 handling to:**

**Ham Radio's Communications Bookstore**  
Greenville, NH 03048

# Gift and Save!

## HAM RADIO HORIZONS

- Easy to give
- Fun to receive
- A reminder of your friendship all year long

Share your favorite hobby with special friends this holiday season and give Ham Radio HORIZONS. When you give two or more HORIZONS gift subscriptions, your savings are even greater.

Every month, for a full year, your friends will have fun reading all about Amateur Radio in Ham Radio HORIZONS — the exciting, colorful magazine designed originally for beginners, but now receiving rave reviews from experienced old-timers as well.

Make it easy on yourself by gifting HORIZONS this holiday season, and save!

**\$10** First Gift (save \$5.00\*) **\$7.97** Each Additional Gift (save \$7.03\*)

*\*Based on \$15.00 yearly newsstand price.*

### The Ham Radio Publishing Group Greenville, NH 03048

Yes! Please send my HORIZONS gift subscriptions as indicated. Also send a gift acknowledgement card . . .

Start or  Renew my HORIZONS subscription.  
\$ \_\_\_\_\_ is enclosed for \_\_\_\_\_ subscriptions.

Master Charge       VISA/BankAmericard  
Account                  
Expires    MC Bank

Bill me after January 1, 1979.

FROM:

My Name \_\_\_\_\_ Call \_\_\_\_\_

Address \_\_\_\_\_

City \_\_\_\_\_ State \_\_\_\_\_ Zip \_\_\_\_\_

**1st GIFT**

Here's my first gift subscription for one year (12 issues) at \$10.00.

New subscription       Renewal

SEND TO:

Name \_\_\_\_\_ Call \_\_\_\_\_

Address \_\_\_\_\_

City \_\_\_\_\_ State \_\_\_\_\_ Zip \_\_\_\_\_

**2nd GIFT**

Here's my second gift subscription for one year (12 issues) at just \$7.97.

New subscription       Renewal

SEND TO:

Name \_\_\_\_\_ Call \_\_\_\_\_

Address \_\_\_\_\_

City \_\_\_\_\_ State \_\_\_\_\_ Zip \_\_\_\_\_

For additional gifts give complete information on separate sheet of paper and return with above order.

## JAN CRYSTALS HOLD THE FREQUENCY



- CB
- CB standard
- 2 meter
- Scanners
- Amateur Bands
- General Communication
- Industry
- Marine VHF
- Micro processor crystals

easy to charge

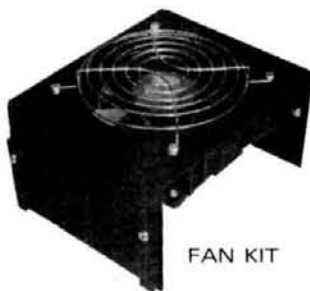


Send 10¢ for our latest catalog  
Write or phone for more details  
2400 Crystal Drive  
Ft. Myers, Florida 33901  
all phones (813) 936-2397



# ALL-MODE VHF amplifiers

115V/230VAC OPERATION  
FOR BASE STATION & REPEATER USE



FAN KIT



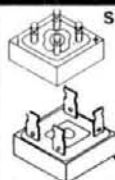
- ☆ No Power Supply Needed
- ☆ AM-FM-CW-SSB-RTTY
- ☆ 60dB Harmonics
- ☆ 60dB Spurious
- ☆ Heavy Duty Design
- ☆ Illuminated Panel Meter
- ☆ Internal T/R Switch
- ☆ Fully Protected
- ☆ + 13V/3A Accessory Socket
- ☆ U.S. Manufactured

FCC Type Accepted Models also available, Parts 89,91,93.

MODEL	FREQUENCY	INPUT	OUTPUT	SIZE WxDxH	WEIGHT	FAN KIT Required	PRICE
V70	144-148MHz	10-15W	75-90W	216x330x178mm	11.7 kg (26 lbs)	NO	\$315.00
V71	144-148MHz	1-3W	75-90W	216x330x178mm	11.7 kg (26 lbs)	NO	\$349.00
V180	144-148MHz	8-15W	170-200W	216x330x178mm	13.5 kg (30 lbs)	CW & FM	\$539.00
*V350	144-148MHz	10-20W	350-400W	432x330x178mm	20.2 kg (45 lbs)	YES	\$875.00
V130B	220-225MHz	10-15W	70-85W	216x330x178mm	11.7 kg (26 lbs)	NO	\$329.00
V135B	220-225MHz	25-35W	140-160W	216x330x178mm	11.7 kg (26 lbs)	CW & FM	\$469.00
F110	FAN KIT, 115VAC			135x135x50mm	1 kg (2.2 lbs)	—	\$ 33.00
F220	FAN KIT, 230VAC			135x135x50mm	1 kg (2.2 lbs)	—	\$ 33.00
RM-1	19 INCH RACK ADAPTOR			483x3x178mm	1 kg (2.2 lbs)	—	\$ 25.00

\*Available after September 1, 1978

OTHER FREQUENCIES AVAILABLE ON REQUEST.  
CALL FRANK KALMUS — WATSPR



### SEMTECH BRIDGES

Heat sink w/center hole  
mtg. 10 Amp — Tested —  
200V P.I.V. \$1.75 ea. ppd.  
400V P.I.V. \$1.95 ea. ppd.  
600V P.I.V. \$2.15 ea. ppd.

25 AMP — TESTED  
200V P.I.V. \$2.25 ea. ppd.  
400V P.I.V. \$2.50 ea. ppd.  
600V P.I.V. \$2.85 ea. ppd.

UNPOTTED TOROIDS — Center tapped.  
88 MHY - 5 oz. 5/\$2.95; 9 oz. - 5/\$3.49  
44 MHY - 5/\$3.95 ALL PPD.

EDGEVIEW METERS 250  $\mu$ A 'S' METERS  
NEW — \$2.65 ea. 3/\$7.25 ppd.

NEW SIZES — VERTICAL MOUNT  
PC BOARD POTENTIOMETERS  
American made (CRL) Cermet  
sizes: 25K, 100K ohms. 5/\$1.30 ppd.  
CTS Blue wheel. Values: 750, 1K,  
1.5K, 50K, 300K ohms. 5/\$1.25 ppd.

**m. weinschenker**  
electronic specialties-BOX 353, IRWIN, PA 15642



RF POWER LABS, INC.

11013-118th Place N.E. • Kirkland, Washington 98033 • Telephone: (206) 822-1251 • TELEX No. 32-1042



## PASS FCC EXAMS

The Original FCC Tests Answers exam manual that prepares you at home for FCC First and Second class Radiotelephone licenses. Newly revised multiple choice exams cover all areas tested on the actual FCC exam. Plus Self Study Ability Test - Proven! \$9.95 postpaid. Moneyback Guarantee.



COMMAND PRODUCTIONS  
Radio Engineering Division  
P.O. Box 26348 H.C.  
San Francisco, CA 94126

## K-ENTERPRISES

Frequency Counters  
Prescalers  
Marker & Peaking  
Generators

Power Supplies  
Amplifiers  
Frequency  
Standards

Write for Free Catalog  
Box 410 (Pump Sta. Rd.) Fairland, OK 74343  
Phone: 918-676-3752

# Barry Electronics . . . Your One Source for Amateur Radio Gear



Yes, we have it! The all-new **ATLAS TX-110/RX-110** Modular transmitter-receiver combination

### We also have

- ANTENNAS FOR HF & UHF
- ROTORS
- TOWERS
- REPEATERS
- MICROPHONES
- KEYS & KEYERS
- TUBES and much, much more

JUST CALL OR  
WRITE FOR THE  
BARRY PRICE;  
BETTER STILL . . .  
STOP IN!!

SEASONS  
GREETINGS

Yes, we have  
EIMAC Tubes  
& Chimneys,  
and YAESU  
Replacement  
Tubes in stock!

Repair lab  
on premises.

### WE STOCK THESE FAMOUS NAME BRANDS

- |             |            |                 |
|-------------|------------|-----------------|
| AEA         | DRAKE      | ROBOT           |
| ALDA        | EIMAC      | ROHN            |
| ANTENNA     | E-Z WAY    | STANDARD        |
| SPECIALISTS | HY-GAIN    | SWAN            |
| ATLAS       | ICOM       | TEN-TEC         |
| BIRD        | KDK        | TRI-EX          |
| COLLINS     | KLM        | VHF ENGINEERING |
| CUSHCRAFT   | MOSLEY     | WILSON          |
| DENTRON     | NEWTRONICS | YAESU           |

**BARRY ELECTRONICS**

512 BROADWAY  
NEW YORK, N. Y. 10012

(212) 925-7000

# Advertisers check-off

... for literature, in a hurry — we'll rush your name to the companies whose names you "check-off"

Place your check mark in the space between name and number. Ex: Ham Radio  234

## INDEX

ABC _____ 571	Heath _____ 060
AED _____ 710	Henry _____ 062
Adv. Elec. Appl. _____ 677	Hidreth _____ 283
ALDA _____ 625	Hy-Gain _____ 064
Aluma _____ 589	Icom _____ 065
Am. Rad. Center _____ 638	Integ. Circuits _____ 518
Amperex _____ 742	Int. Crystal _____ 066
Anteck _____ 733	Jameco _____ 333
Antenna Inc. _____ 686	Jan _____ 067
Antenna Spec. _____ 010	Jones _____ 626
Astron _____ 734	K-Enterprises _____ 071
Atlantic Surplus _____ 644	Kenwood * _____
Atlas _____ 198	Long's _____ 468
Barry * _____	Lunar _____ 577
Bauman _____ 017	MFJ _____ 082
Bencher _____ 629	Madison * _____
Budwig _____ 233	Matric _____ 084
Bullet _____ 328	J.W. Miller _____ 745
Cal Crystal _____ 709	Milo _____ 736
Chemtronics _____ 706	Monroe _____ 715
Clegg _____ 027	Palomar Eng. _____ 093
CoaxProbe _____ 726	Palomar Elec. _____ 673
Command _____	Pyramid _____ 678
Productions _____ 743	RF Power Labs _____ 602
Communications _____	Callbook _____ 100
Center _____ 534	Radio World * _____
Comm. Spec. _____ 330	Ramsey _____ 442
Crystal Banking _____ 573	Rohde & Schwartz _____ 306
Curtis Electro _____ 034	Rush _____ 667
Cushcraft * _____	SST _____ 375
DSI _____ 656	S-F A. R. S. _____ 640
DX Eng. _____ 222	Securitron _____ 461
Dames Comm. _____ 551	Sentry _____ 600
Dames, Ted _____ 324	Sherwood _____ 435
Data Signal _____ 270	Slep _____ 232
Davis Elec. _____ 332	Space _____ 107
DenTron _____ 259	Spectronics _____ 191
E.T.O. * _____	Spectrum Int. _____ 108
Electrocom _____ 663	Swan _____ 111
Elec. Research Virginia * _____	TPL _____ 240
Erickson * _____	Ten-Tec * _____
Excel Circuits _____ 535	Thomas Comm. _____ 730
FT Accessories _____ 646	Tropical Hamboree * _____
Fox-Tango _____ 657	VHF Eng. _____ 121
GLB _____ 552	Van Gorden Eng. _____ 746
Godbout _____ 647	Vanguard Labs _____ 716
Gray _____ 055	Varian _____ 043
Great Lakes _____ 732	Vega _____ 747
Gregory * _____	Webster _____
Group III _____ 701	Assoc. _____ 423
Gull _____ 635	Weinschenker _____ 122
Hal * _____	Westcom * _____
HMR _____ 735	Western * _____
Hal-Tronix _____ 254	Whitehouse * _____
H. R. C. B. _____ 150	Wilson _____ 123
Horizons _____ 150	Yaesu _____ 127
H. R. Magazine _____ 150	
Hamtronics, PA * _____	

\*Please contact this advertiser directly.

Limit 15 inquiries per request.

December, 1978

Please use before January 31, 1979

Tear off and mail to

HAM RADIO MAGAZINE — "check off"  
Greenville, N. H. 03048

NAME \_\_\_\_\_

CALL \_\_\_\_\_

STREET \_\_\_\_\_

CITY \_\_\_\_\_

STATE \_\_\_\_\_ ZIP \_\_\_\_\_

## MADISON JINGLE BELL BUYS

OMNI-J 2-meter mobile or portable antenna, 3/8" thread, 5-dB gain (1.5-dB gain over conventional 5/8-wave mobile whip antenna) **\$39.95** 220-MHz **\$37.95** 450-MHz **\$37.95** Guaranteed results. Omni-J w/heavy duty mag. mount **\$49.95**

TRI-EX W-51 (51-foot) self-supporting tower, regular **\$825**, your cost **\$725** FOB California. **F9FT TONNA** antennas, 144/16 element **\$65.95** 9/19 OSCAR **\$63.00** RIW 432-MHz/19-element yagi **\$59.95**

KLITZING VHF/UHF amplifiers 2-meter 10w in - 100w out **\$179.95** 432 MHz 10w in - 50w out **\$189.95**

BIRD MODEL 43 wattmeters, plus slugs, in stock, prepaid UPS

KLM Antennas, Linears, Accessories, All In Stock FREE balun with 2-meter base antenna

MICROWAVE MODULES MMT 432-28S **\$259**, UPS Paid.

TELEX TB5-EM triband beam antenna **\$415** in stock.



**PALOMAR ENGINEERS:** Transceiver preamplifier **\$89.50**

BENCHER keyer paddles in stock **\$39.95** chrome **\$49.95**

ETO ALPHA 76 amplifiers, in stock call or write

LUNAR: 6m - 2m - 220 MHz in-line preamplifiers **\$49.95** 2m amplifier w/preamplifier, 10w in - 80w out **\$189.95** UPS PAID

JANEL QSA-5 preamp **\$41.95** ROBOT items, in stock call or write CDE: HAM III, **\$129**; HAM X, **\$249**



8-wire rotor cable, heavy duty, #9405 (2 no. 16, 6-no. 18) for long runs **26c** ft. 8448 Std 8-wire cable, **16c** ft. 9888 double shield RG-8 foam **39c** ft. 8237 RG-8, **21c** ft. 8267 RG-213 **25c** ft. 8214 RG-8 foam, **25c** ft. AMPHENOL Silver Plated PL-259 connectors **59c** each

TIMES: 1/2" foam hardline **60c** ft., connectors **\$15** each

7/8" foam hardline **\$1.50** ft., connectors **\$25** each

BERKTEK RG-8X 52-ohm, KW, **16c** ft. VHF ENGINEERING: Blue Line Amplifiers, in stock call or write

AEROVOX: 1000 pF/500V feed-thru capacitors **\$1.95** ea. CETRON 572B **\$27.95** each RAYTHEON 572B **\$24.95** each

GE receiving tubes **50% off list** GE 6146B, 8950 **\$7.95** each

TECHNICAL BOOKS: AMECO, ARRL, Sams, TAB, TI, Rider, Radio Pub., Callbook, Cowan, TEPABCO, many others in stock call or write

**6625** CRAZY BUYS: BEARCAT 250 SCANNER

CALL FOR QUOTES ON: KENWOOD TS-820S, TS-520S, TR-7400A, YAESU FT-901DM, FT-625RD, ALDA, AMCOMM, VHF ONE PLUS & ETO ALPHA. ALL IN SEALED CARTONS. CALL FOR QUOTES ON ITEMS NOT LISTED.

CALL FOR FAST QUOTES SPECIAL ORDERS WELCOME

TERMS: All prices FOB Houston. Prices subject to change without notice. All items Guaranteed. Some items subject to prior sale. Send letterhead for Amateur dealers price list. Texas residents add 6% tax. Please add postage estimate.

## MADISON ELECTRONICS SUPPLY, INC.

1508-C MCKINNEY HOUSTON, TEXAS 77002  
713/658-0268 Nites 713/497-5683

## Advertisers Index

ABC Communications	100
AED Electronics	120
Advanced Electronic Applications	114
ALDA Communications	103
Aluma Tower Co.	98
Amateur Radio Center	104
Amperex Electronic Corporation	106
Anteck, Inc.	94
Antenna Specialists	100
Astron Corporation	96
Atlantic Surplus Sales	112
Atlas Radio	7
Barry Electronics	149
R. H. Bauman Sales Co.	110
Budwig Mfg. Co.	112
Bullet	112
Cal Crystal Lab, Inc.	108
Clegg	33
CoaxProbe Co.	96
Command Productions	149
Communications Center	125
Communications Specialists	10, 11
Crystal Banking Service	120
Curtis Electro Devices	98
Cushcraft	69, 91
DSI Instruments	70, 71
DX Engineering	98
Dames Communications Systems	122
Dames, Ted	104
Data Signal, Inc.	92
Davis Electronics	94, 102
DenTron Radio Company	9, 98
Ehrhorn Technological Operations	151
Electrocom Industries	122
Electronic Research Corp. of Virginia	93
Erickson Communications	116
Excel Circuits	110
FT Accessories	128
Fox-Tango Corporation	61
GLB	108
Godbout Electronics	126
Gray Electronics	102
Great Lakes Amateur Supply Company	102
Gregory Electronics	100
Group III Sales Company	110
Gull Electronics	107
Hal Communications Corp.	89
HMR Communications, Inc.	128
Hal-Tronix	49, 127
Ham Radio's Communications Bookstore	122
Ham Radio Horizons	148
Ham Radio Magazine	112, 116, 129
Hamtronics, Inc., Trevoze, PA	45, 54, 55, 106, 122
Health Company	17
Henry Radio Stores	Cover II
Hidreth Engineering	104
Hy-Gain Electronics	87
Icom	5
Integrated Circuits Unlimited	115
International Crystal	111
Jameco Electronics	117
Jan Crystals	149
Jones, Marlin P. & Assoc.	124
K-Enterprises	149
Trio-Kenwood Communications, Inc.	76, 83
Long's Electronics	152
Lunar Electronics	102
MFJ Enterprises	2
Madison Electronic Supply	109, 150
Matric	88
J.W. Miller Division, Bell Industries	126, 127
Milo Associates	108
Monroe Electronics, Inc.	88
Palomar Engineers	97, 116
Pyramid Data	126
RF Power Labs	149
Radio Amateur Callbook	124
Radio World	128
Ramsey Electronics	105
Rohde & Schwartz	1
Rush Electronics	88
S-F Amateur Radio Service	37
SST Electronics	113
Securitron	110
Sentry Manufacturing	104
Sherwood Engineering	128
Slep Electronics	110
Space Electronics	112
Spectronics	112, 149
Spectrum International	102
Swan Electronics	101
TPL Communications	114
Ten-Tec	56
Thomas Communications	121
Tropical Hamboree	114
VHF Engineering, Div. of Brownian	99
Van Gorden Engineering	104
Vanguard Labs	112
Varian, Eimac Division	Cover IV
Webster Associates	114
Weinschenker	149
Westcom	95
Western Electronics	92, 110
Whitehouse, G. R. & Co.	128
Wilson Electronics	123
Wren Company	104
Yaesu Electronics Corp.	Cover III





Sopris, Colorado — In ETO's "back yard" — Photo by Douglas J. Martin

# ALPHA POWER... Rugged, Cool & Quiet

When you buy an ALPHA linear amplifier you make a long term investment in dependable power and operating pleasure.

You can take your ALPHA for granted — it will go on delivering that big, clean, maximum-legal-power signal no matter how tough the contest or how long the SSTV or RTTY QSO's.

We strive constantly to make every ALPHA even better. If we can't improve it, we don't change it.

**DURABILITY?** You get TWO YEARS of factory warranty protection with your new ALPHA . . . other manufacturers give you 90 days.

**CONVENIENCE?** Every ALPHA is self-contained, compact, and smooth-tuning. All 76A - 374A - 78 models can be shipped via economical, door-to-door UPS.

**VERSATILITY?** The new ALPHA 374A delivers full legal power (in any mode) on all amateur HF bands WITHOUT TUNE-UP and with excellent efficiency. (On 160M you peak the output manually; new FCC rules permit easy owner modification to restore full 10M capability, too.)

The ALPHA 78 combines the best of everything: full instant CW break-in (QSK) and NO-TUNE-UP bandchange! And of course all ALPHAs substantially exceed every applicable FCC requirement.

For detailed literature and fast delivery of your new ALPHA, contact your dealer or ETO direct. While you're at it, ask for a free copy of our brief guide, *"Everything You Always Wanted to Know About (Comparing) Linears . . . But Didn't Know Whom to Ask."*

ALPHA — Sure you can buy a cheaper linear . . . But is that really what you want?

**ETO**

Ehrhorn Technological Operations, Inc.

P.O. Box 708 · Cañon City, Colorado 81212 · (303) 275-1613

# Christmas greetings are loud and clear with YAESU



## FT-901DM HF transceiver

Audio peak freq. tuning, LED w/memory, no external VFO required for split freq. operation, built in Curtis keyer, GE6146B final tubes, 160 thru 10 meter coverage.

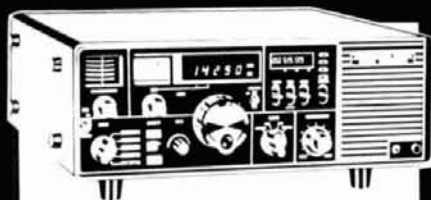
**1459.00** List. Call for quote.



## FT-7 HF Transceiver

Freq. coverage, 10 thru 80 meters; sensitivity: 0.5 microvolts/ s/n 20dB, emissions: LSB, USB, CW, input power; 20 watts DC, single knob tune-up, 100KHz calibrator built in, semi break-in with sidetone receiver offset tuning.

**549.00** List. Call for quote.



## FRG-7000 general coverage receiver

Triple conversion superhet receiver, solid state, LED display receiver 0.25 MHz- 29.9 MHz, Built in AC pow. supply.

**655.00** List. Call for quote.



## FT-227RA VHF Transceiver

4 memories, touch control on mic for scanning, freq. 144-148 MHz, channel memory, 800 channels.

**429.00** List. Call for quote.



## FP-4 power supply

DC output of 13.8 volts at 4 amps, overload and short circuit protection threshold of 5 amps.

**49.95** List. Call for yours today.



## CPU-2500RK 2 meter FM transceiver

Keyboard mic for remote input, scanning control, 800 channels, freq. 144-148 MHz.

**585.00** Call for quote.



## SP-101PB speaker/phone patch console

Response speaker 300-3000 Hz, individual gain controls, full VOX phonepatch op., input 4 or 600 ohms, output 600 ohms or high impedance.

**67.00** Call for yours today.



## YH-55 headphone set

Softly padded for comfort, Compatible with Yaesu equipment, 8 ohms impedance.

**15.00** Call for yours today.



# Long's Electronics



MAIL ORDERS P.O. BOX 11347 BIRMINGHAM, AL 35202 • STREET ADDRESS 2808 7TH AVENUE SOUTH BIRMINGHAM, ALABAMA 35233

Remember, you can Call Toll Free: **1-800-633-3410** in the U.S.A. or call **1-800-292-8668** in Alabama for our low price quote. Store hours: 9:00 AM til 5:30 PM, Monday thru Friday.

# THE CHRISTMAS GIFT OF A LIFETIME!

**YAESU ANNOUNCES THEIR SENSATIONAL COMPUTER AGE  
CPU-2500R/K 2-METER 25 WATT TRANSCEIVER**



Again, Yaesu, **THE RADIO**, takes a giant step forward with their computer age 4-bit Central Processor Unit controlling the Phase Locked Loop. It allows selection of 800 PLL channels with touch button station selection built into the optional keyboard mike . . . **PLUS** automatic scan, up or down across the entire 2 meter band . . . **PLUS** four memory channels . . . **PLUS** optional tone squelch encoding . . . **PLUS** tone burst . . . **PLUS** high SWR and reverse voltage polarity protection . . . **PLUS** 3/25 watts of power . . . **PLUS** fixed  $\pm 600$  KHz offsets . . . **PLUS** programmable offsets . . . **PLUS** tone pad microphone option . . . **PLUS** bright 3/8" LED six digit frequency display and another LED for memory display . . . and much more.

The CPU-2500R/K is a space age radio for discriminating amateurs utilizing the latest solid state techniques and it's on your dealer's shelf today!

Price And Specifications Subject To Change Without Notice or Obligation



**YAESU**  
**The radio.**

YAESU ELECTRONICS CORP., 15954 Downey Ave., Paramount, CA 90723 • (213) 633-4007  
YAESU ELECTRONICS Eastern Service Ctr., 9812 Princeton-Glendale Rd., Cincinnati, OH 45246

# EIMAC's new Pyrogrid can run hotter so your transmitter can run better.

No easier way to generate 50 kW  
for AM, FM, and VHF-TV service.

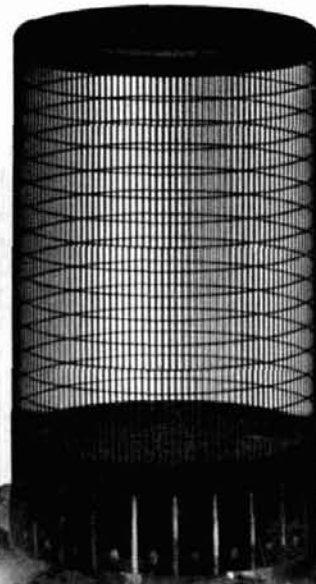
The pyrolytic graphite grid in EIMAC's  
newest tough tetrode, the 4CX40,000G,  
has triple the screen dissipation of earlier  
tetrodes. Which means:

1. A previous limiting factor in tetrode  
design, screen dissipation, is virtually  
eliminated.
2. Primary grid emission is eliminated.
3. Secondary grid emission is eliminated,  
improving linearity.
4. Hot and cold spacing  
between grids remains  
constant, allowing closer  
spacing between ele-  
ments and improved  
performance.

**High gain, better reliability.**

With over 20 dB power gain,

EIMAC's Pyro-  
grid 4CX40,000G  
tetrode can fol-  
low a solid state  
driver, allowing a  
smaller, more effi-  
cient transmitter.



The stability of  
pyrolytic graphite  
assures better tube  
reliability.

**Available today for  
tomorrow's single  
tube transmitters.**

For complete infor-  
mation about the  
tough new EIMAC  
tetrode for tomor-  
row's AM, FM  
broadcast



and  
VHF-TV  
linear am-  
plifiers, contact Varian, EIMAC Division,  
301 Industrial Way, San Carlos, CA 94070.  
Telephone (415) 592-1221. Or any of the  
more than 30 Varian Electron Device  
Group Sales Offices throughout the world.





Share the Heathkit experience with your kids!

Send for the big new

# HEATHKIT<sup>®</sup> CATALOG

You'll find nearly 400 fun-filled kit building experiences both you and your family can enjoy. There's ham gear, color TV's, stereo components, digital clocks, test instruments, treasure finders, computers, peripherals, and MORE—all with easy, step-by-step instruction manuals. Share the Heath experience—it'll make your whole relationship...a lot more special!

It's FUN to build-in more quality for your electronics dollars! Send for your

**FREE**  
HEATHKIT CATALOG

**yes** Send me my personal copy of the newest Heathkit Catalog. I am not currently on your mailing list.

Heath Company, Dept. 122-480, Benton Harbor, MI 49022

NAME \_\_\_\_\_

ADDRESS \_\_\_\_\_

CITY \_\_\_\_\_

STATE \_\_\_\_\_ ZIP \_\_\_\_\_

Ham Radio PC-129

*Start a worthwhile family hobby today!*

enjoy the world's  
leading electronic  
kit catalog...



**FREE**

**THE ALL-NEW  
HEATHKIT CATALOG**

Nearly 400 build-it-yourself  
kits that the entire family  
can enjoy

Send for your free copy today!

**HEATH COMPANY**  
Benton Harbor, MI 49022

**PLACE  
STAMP HERE**  
Post Office  
will not  
deliver mail  
without  
postage